

Wire Rope Hoists



Base Mounted Single Reeved 2 Ton

4 Part Single Reeving 4/1

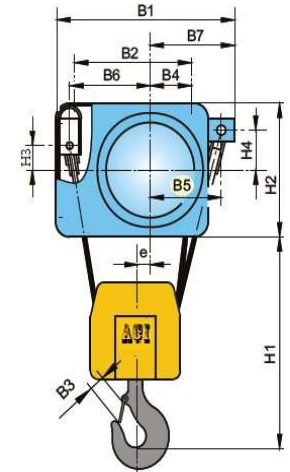
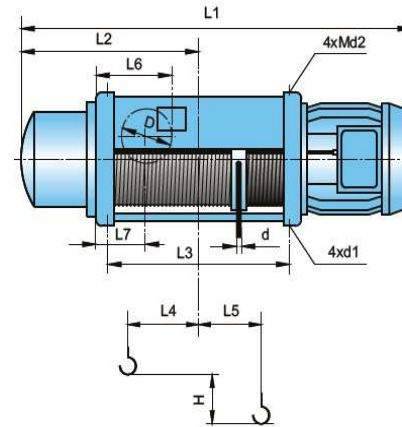
To complete Model Number insert following in place of asterisk

*S for Single Speed, V for Variable Drive

**4 (for 480 volt) or 2 (for 240 volt)

Note 1: Control Box can be mounted or shipped on any Base mount hoist

Note 2: Lifting Speed available in 24 FPM



Model Number	Lift (FT)	Lift Speed (FPM)	Rope Dia. (mm)	Hoist Motor		L1 (in)	L2 (in)	L3 (in)	L4 (in)	L5 (in)	L6 (in)	L7 (in)	B1 (in)	B2 (in)	B3 (in)	B4 (in)	B5 (in)	B6 (in)	B7 (in)	H1 (in)	H2 (in)	H3 (in)	H4 (in)	D (in)	d (in)	d1 (in)	d2 (in)	e (in)	
				HP	Rated Current																								
					240 V (Amp)																								480 V (Amp)
WRBM00416S021	21	16	7			36.4	16.5	16.9	3.5	1.8	9.8	6.3	15.1	11.6	1.6	4.1	7.5	7.3	9.0	16.3	12.6	2.8	3.0	5.5	0.3	0.6	M14	1.0	
WRBM00416S033	33					44.3	20.5	24.8	7.5	-1.8																			
WRBM00416S044	44					52.2	24.4	32.6	11.4	-3.7																			
WRBM00416S059	59		10			56.1	26.4	33.1	12.1	-4.5	11.8	7.6	15.2	12.8	5.0	8.1	7.8	10.0	14.4	3.4	3.6	7.9	0.3	0.7	M20	0.6			
WRBM00416S066	66					60.2	28.2	36.7	13.6	-5.1	13.8	8.5																	
WRBM00416S084	84					68.9	32.5	45.3	17.9	-7.3																			

Wire Rope Hoists



Base Mounted Single Reeved 3 Ton

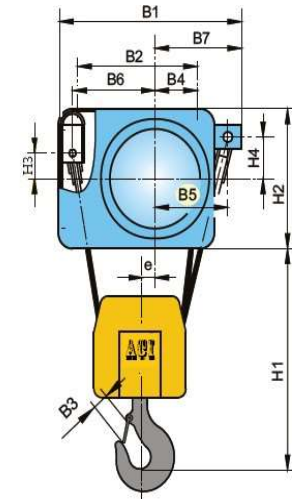
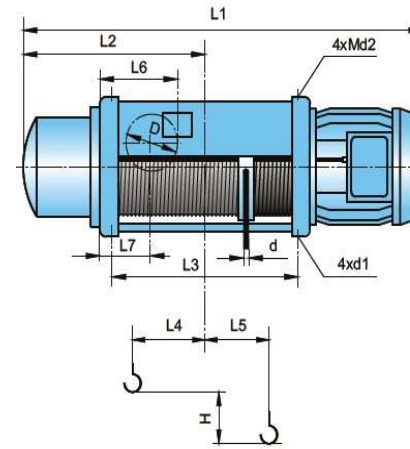
4 Part Single Reeving 4/1

To complete Model Number insert following in place of asterisk

*S for Single Speed, V for Variable Drive

**4 (for 480 volt) or 2 (for 240 volt)

Note: Control Box can be mounted or shipped on any Base mount hoist



Model Number	Lift (FT)	Lift Speed (FPM)	Rope Dia. (mm)	Hoist Motor		L1 (in)	L2 (in)	L3 (in)	L4 (in)	L5 (in)	L6 (in)	L7 (in)	B1 (in)	B2 (in)	B3 (in)	B4 (in)	B5 (in)	B6 (in)	B7 (in)	H1 (in)	H2 (in)	H3 (in)	H4 (in)	D (in)	d (in)	d1 (in)	d2 (in)	e (in)	
				HP	Rated Current																								
					240 V (Amp)																								480 V (Amp)
WRBM00616S021	21	16	7	2.4	11.6	5.8	36.4	16.5	16.9	3.5	1.8	9.8	6.3	15.1	11.6	1.8	4.1	7.5	7.3	9.0	16.3	12.6	2.8	3.0	5.5	0.3	0.6	M14	1.0
WRBM00616S033	33						44.3	20.5	24.8	7.5	-1.8																		
WRBM00616S044	44						52.2	24.4	32.6	11.4	-3.7																		

Wire Rope Hoists



Base Mounted Single Reeved 5 Ton

4 Part Single Reeving 4/1

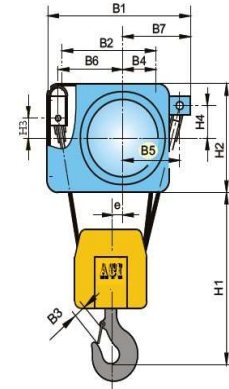
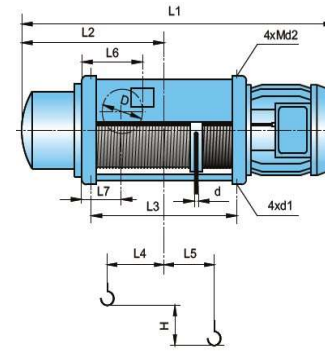
To complete Model Number insert following in place of asterisk

*S for Single Speed, V for Variable Drive

**4 (for 480 volt) or 2 (for 240 volt)

Note 1: Control Box can be mounted or shipped on any Base mount hoist

Note 2: Lifting Speed available in 24 FPM



Model Number	Lift (FT)	Lift Speed (FPM)	Rope Dia. (mm)	Hoist Motor			L1 (in)	L2 (in)	L3 (in)	L4 (in)	L5 (in)	L6 (in)	L7 (in)	B1 (in)	B2 (in)	B3 (in)	B4 (in)	B5 (in)	B6 (in)	B7 (in)	H1 (in)	H2 (in)	H3 (in)	H4 (in)	D (in)	d (in)	d1 (in)	d2 (in)	e (in)
				HP	Rated Current																								
					240 V (Amp)	480 V (Amp)																							
WRBM01016S020	20	16	10	4.82	22	11	40.4	18.5	17.4	2.6	1.0	11.8	7.6	15.2	12.8	2.0	5.0	8.1	7.8	10.0	20.7	14.4	3.4	3.6	7.9	0.4	0.7	M20	0.6
WRBM01016S030	30						48.2	22.4	25.2	6.5	-1.0																		
WRBM01016S041	41						56.1	26.4	33.1	10.4	-3.0																		
WRBM01016S054	54						62.0	28.2	34.4	12.4	-4.7	15.8	9.1	18.7	15.4	6.2	10.0	9.3	12.2	17.0	4.3	4.6	11.5	0.8	M24	0.6			
WRBM01016S062	62						66.1	30.3	38.5	14.5	-5.7																		
WRBM01016S074	74						73.0	33.9	45.4	17.9	-7.5																		

Wire Rope Hoists



Base Mounted Single Reeved 7.5 Ton

4 Part Single Reeving 4/1

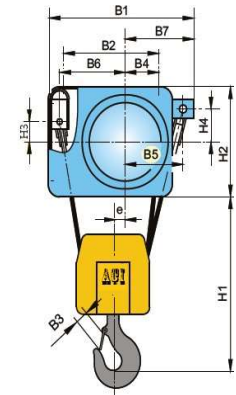
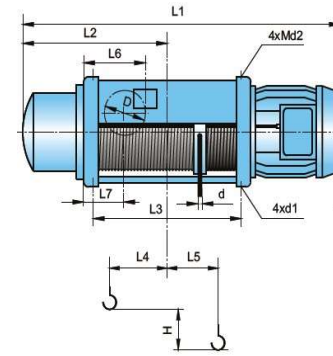
To complete Model Number insert following in place of asterisk

*S for Single Speed, V for Variable Drive

**4 (for 480 volt) or 2 (for 240 volt)

Note 1: Control Box can be mounted or shipped on any Base mount hoist

Note 2: Lifting Speed available in 24 FPM



Model Number	Lift (FT)	Lift Speed (FPM)	Rope Dia. (mm)	Hoist Motor			L1 (in)	L2 (in)	L3 (in)	L4 (in)	L5 (in)	L6 (in)	L7 (in)	B1 (in)	B2 (in)	B3 (in)	B4 (in)	B5 (in)	B6 (in)	B7 (in)	H1 (in)	H2 (in)	H3 (in)	H4 (in)	D (in)	d (in)	d1 (in)	d2 (in)	e (in)
				HP	Rated Current																								
					240 V (Amp)	480 V (Amp)																							
WRBM01516S018	18	16	12	7.37	25.2	12.6	42.9	19.5	19.3	2.6	1.4	13.8	8.5	15.2	12.8	5.0	8.1	7.8	10.0	22.2	14.4	3.4	4.0	9.5	0.5 (0.4)	0.7	M20	0.6	
WRBM01516S028	28						51.6	23.8	28.0	7.0	-0.8																		
WRBM01516S038	38						60.2	28.2	36.7	11.3	-2.8																		
WRBM01516S048	48						68.9	32.5	45.3	15.6	-4.9																		
WRBM01516S044	44		60.6				28.2	34.4	12.4	-4.7																			
WRBM01516S051	51		64.8				30.3	38.5	14.5	-5.7	15.8	9.1	18.7	15.4	6.2	10.0	9.3	12.2	17.0	4.3	4.6	11.5	0.8	M24	0.6				
WRBM01516S061	61		71.7				33.9	45.4	17.9	7.5																			

Wire Rope Hoists



Base Mounted Single Reeved 10 Ton

4 Part Single Reeving 4/1

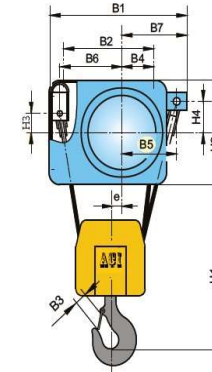
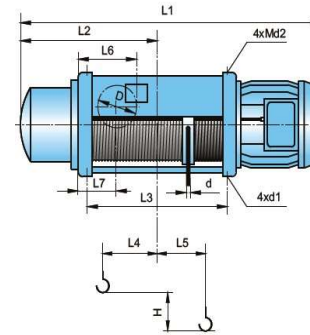
To complete Model Number insert following in place of asterisk

*S for Single Speed, V for Variable Drive

**4 (for 480 volt) or 2 (for 240 volt)

Note 1: Control Box can be mounted or shipped on any Base mount hoist

Note 2: Lifting Speed available in 24 FPM



Model Number	Lift (FT)	Lift Speed (FPM)	Rope Dia. (mm)	Hoist Motor		L1 (in)	L2 (in)	L3 (in)	L4 (in)	L5 (in)	L6 (in)	L7 (in)	B1 (in)	B2 (in)	B3 (in)	B4 (in)	B5 (in)	B6 (in)	B7 (in)	H1 (in)	H2 (in)	H3 (in)	H4 (in)	D (in)	d (in)	d1 (in)	d2	e (in)	
				HP	Rated Current																								
					240 V (Amp)																								480 V (Amp)
WRBM02016S016	16	16	15	13	49	24	44.1	19.9	17.8	1.4	2.4	15.8	9.1	25.0	15.4	6.2	10.0	9.3	12.2	27.4	17.0	4.3	4.6	11.5	0.6 (0.5)	0.8	M24	0.6	
WRBM02016S026	26						52.4	24.0	26.1	5.3	0.3																		
WRBM02016S036	36						60.6	28.2	34.4	9.4	-1.7																		
WRBM02016S041	41						64.8	30.3	38.5	11.5	-2.8																		2.8
WRBM02016S049	49						71.7	33.9	45.4	11.5	-2.8																		
WRBM02016S054	54		74.4				35.0	45.0	16.1	-5.9	19.7	12.8	23.6	18.7	7.3	12.2	11.4	14.5	20.9	5.0	5.0	14.2	1.0	M27	0.9				
WRBM02016S066	66		82.7				39.2	53.4	20.2	-8.0																			

Wire Rope Hoists



Base Mounted Single Reeved 15 Ton

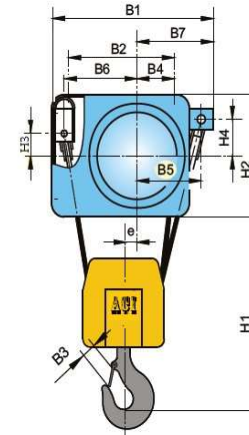
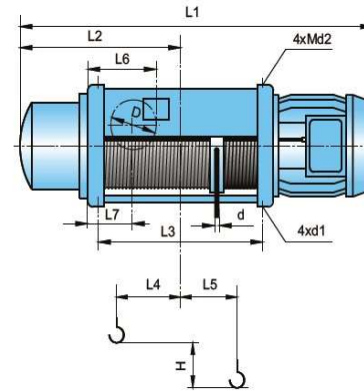
4 Part Single Reeving 4/1

To complete Model Number insert following in place of asterisk

*S for Single Speed, V for Variable Drive

**4 (for 480 volt) or 2 (for 240 volt)

Note: Control Box can be mounted or shipped on any Base mount hoist



Model Number	Lift (FT)	Lift Speed (FPM)	Rope Dia. (mm)	Hoist Motor		L1 (in)	L2 (in)	L3 (in)	L4 (in)	L5 (in)	L6 (in)	L7 (in)	B1 (in)	B2 (in)	B3 (in)	B4 (in)	B5 (in)	B6 (in)	B7 (in)	H1 (in)	H2 (in)	H3 (in)	H4 (in)	D (in)	d (in)	d1 (in)	d2	e (in)	
				HP	Rated Current																								
					240 V (Amp)																								480 V (Amp)
WRBM03016S026	26	16	18	20.1	78	39	57.5	26.6	28.1	4.0	1.8	19.7	12.8	23.6	18.7	2.8	7.3	12.2	11.4	14.5	30.5	20.9	5.0	5.0	14.2	0.7 (0.6)	1.0	M27	0.9
WRBM03016S036	36						65.9	30.9	36.5	8.3	-0.3																		
WRBM03016S046	46						74.4	35.0	45.0	12.5	-2.4																		
WRBM03016S066	56						82.7	39.2	53.3	16.6	-4.5																		

Wire Rope Hoists



Base Mounted Single Reeved 20 Ton

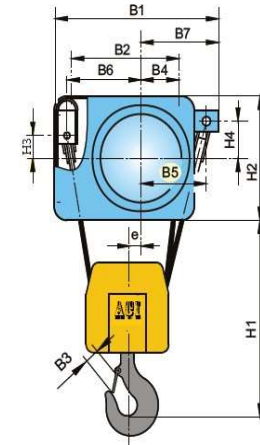
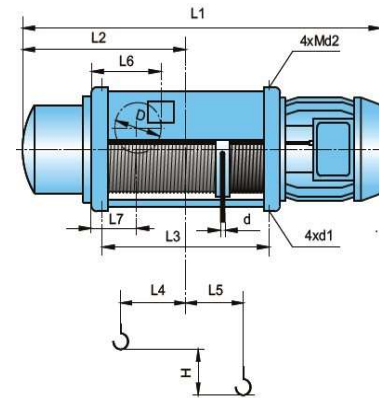
4 Part Single Reeving 4/1

To complete Model Number insert following in place of asterisk

*S for Single Speed, V for Variable Drive

**4 (for 480 volt) or 2 (for 240 volt)

Note: Control Box can be mounted or shipped on any Base mount hoist



Model Number	Lift (FT)	Lift Speed (FPM)	Rope Dia. (mm)	Hoist Motor		L1 (in)	L2 (in)	L3 (in)	L4 (in)	L5 (in)	L6 (in)	L7 (in)	B1 (in)	B2 (in)	B3 (in)	B4 (in)	B5 (in)	B6 (in)	B7 (in)	H1 (in)	H2 (in)	H3 (in)	H4 (in)	D (in)	d (in)	d1 (in)	d2	e (in)	
				HP	Rated Current																								
					240 V (Amp)																								480 V (Amp)
WRBM04016S026	26	13	18			60.5	29.6	28.1	4.0	1.8	19.7	12.8	23.6	18.7	3.5	7.3	12.2	11.4	14.5	32.5	22.0	5.0	5.0	14.2	0.7 (0.6)	1.2	-----	0.9	
WRBM04016S036	36					69.0	33.9	36.5	8.3	-0.3																			
WRBM04016S048	48					77.4	38.1	45.0	12.5	-2.4																			
WRBM04016S056	56					85.7	42.2	53.3	16.6	-4.5																			

Wire Rope Hoists



Base Mounted Single Reeved 25 Ton

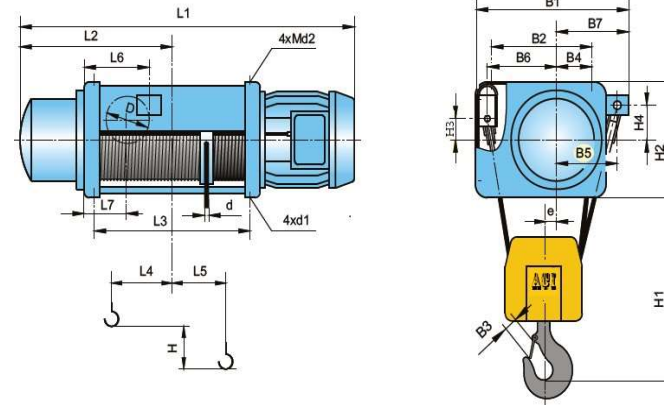
4 Part Single Reeving 4/1

To complete Model Number insert following in place of asterisk

*S for Single Speed, V for Variable Drive

**4 (for 480 volt) or 2 (for 240 volt)

Note: Control Box can be mounted or shipped on any Base mount hoist



Model Number	Lift (FT)	Lift Speed (FPM)	Rope Dia. (mm)	Hoist Motor		L1 (in)	L2 (in)	L3 (in)	L4 (in)	L5 (in)	L6 (in)	L7 (in)	B1 (in)	B2 (in)	B3 (in)	B4 (in)	B5 (in)	B6 (in)	B7 (in)	H1 (in)	H2 (in)	H3 (in)	H4 (in)	D (in)	d (in)	d1 (in)	d2	e (in)	
				HP	Rated Current																								
					240 V (Amp)																								480 V (Amp)
WRBM04016S025	25	10	18			60.5	29.6	28.1	4.0	1.8	19.7	12.8	23.6	18.7	3.5	7.3	12.2	11.4	14.5	32.5	22.0	5.0	5.0	14.2	0.7 (0.6)	1.2	-----	0.9	
WRBM04016S034	34					69.0	33.9	36.5	8.3	-0.3																			
WRBM04016S043	43	15				77.4	38.1	45.0	12.5	-2.4																			
WRBM04016S056	56					85.7	42.2	53.3	16.6	-4.5																			

Wire Rope Hoists



Monorail trolley Low Headroom Headroom Single 3 Ton

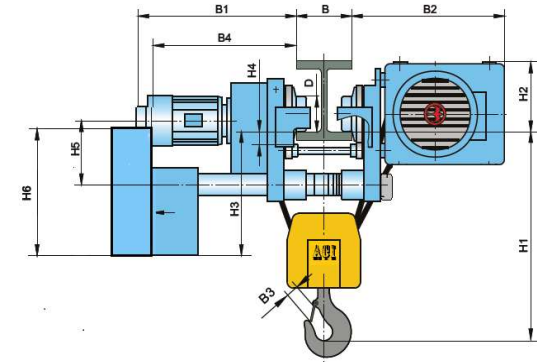
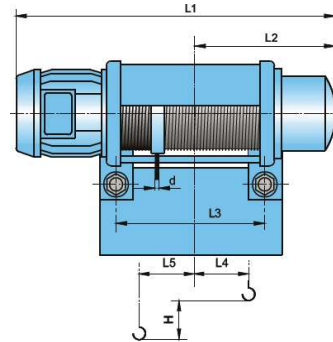
4 Part Single Reeving 4/1

To complete Model Number insert following in place of asterisk.

*S for Single Speed, V for Variable Drive

**4 (for 480 volt) or 2 (for 240 volt)

Note 1: Lifting Speed available in 24 FPM



Model Number	Lift (FT)	Lift Speed (FPM)	Rope Dia. (mm)	Hoist Motor			L1 (in)	L2 (in)	L3 (in)	L4 (in)	L5 (in)	B (in)	B1 (in)	B2 (in)	B3 (in)	B4 (in)	H1 (in)	H2 (in)	H3 (in)	H4 (in)	H5 (in)	H6 (in)	D (in)	d (in)
				HP	Rated Current																			
					240 V (Amp)	480 V (Amp)																		
WRLH00616S020	20	16	10	4.82	22	11	40.4	18.5	17.4	1.1	2.1	4-12	20.3	20.1	2.0	19.1	20.7	8.0	17.6	1.4	9.5	12.2	4.9	0.4
WRLH00616S031	31						48.2	22.4	25.2	5.1	0.2													
WRLH00616S043	43						56.1	26.4	33.1	9.0	-1.8													

Wire Rope Hoists Model WRLH

Wire Rope Hoists



Monorail trolley Low Headroom Headroom Single 5 Ton

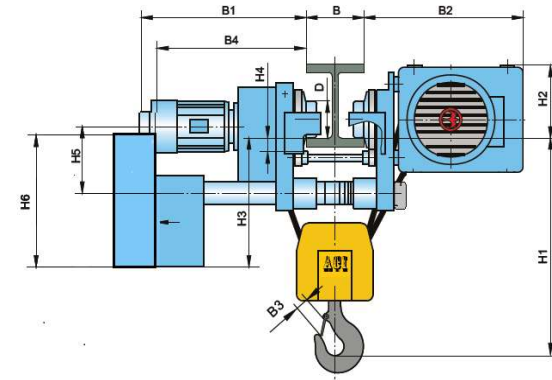
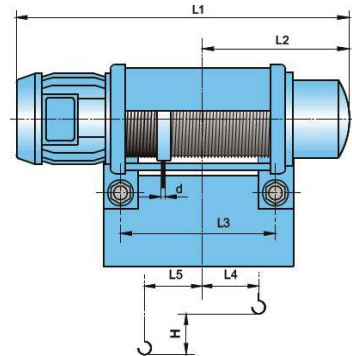
4 Part Single Reeving 4/1

To complete Model Number insert following in place of asterisk.

*S for Single Speed, V for Variable Drive

**4 (for 480 volt) or 2 (for 240 volt)

Note 1: Lifting Speed available in 24 FPM



Model Number	Lift (FT)	Lift Speed (FPM)	Rope Dia. (mm)	Hoist Motor			L1 (in)	L2 (in)	L3 (in)	L4 (in)	L5 (in)	B (in)	B1 (in)	B2 (in)	B3 (in)	B4 (in)	H1 (in)	H2 (in)	H3 (in)	H4 (in)	H5 (in)	H6 (in)	D (in)	d (in)
				HP	Rated Current																			
					240 V (Amp)	480 V (Amp)																		
WRLH01016S020	20	16	10	4.82	22	11	40.4	18.5	17.4	1.1	2.1	4-12	20.3	20.1	2.0	19.1	20.7	8.0	17.6	1.4	9.5	12.2	4.9	0.4
WRLH01016S031	31						48.2	22.4	25.2	5.1	0.2													
WRLH01016S043	43						56.1	26.4	33.1	9.0	-1.8													

Wire Rope Hoists
Model WRLH

2721 NE 4th Ave, Pompano, FL 33064 | (954) 367-6116

Visit WWW.ACIHOIST.COM for the most current information

Wire Rope Hoists



Monorail trolley Low Headroom Headroom Single 7.5 Ton

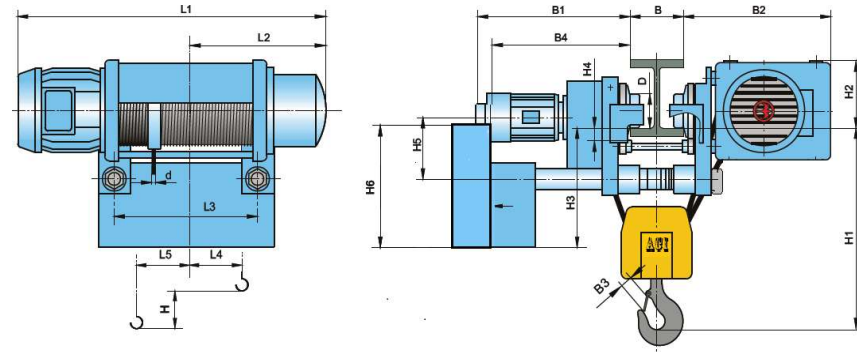
4 Part Single Reeving 4/1

To complete Model Number insert following in place of asterisk.

*S for Single Speed, V for Variable Drive

**4 (for 480 volt) or 2 (for 240 volt)

Note 1: Lifting Speed available in 24 FPM



Model Number	Lift (FT)	Lift Speed (FPM)	Rope Dia. (mm)	Hoist Motor			L1 (in)	L2 (in)	L3 (in)	L4 (in)	L5 (in)	B (in)	B1 (in)	B2 (in)	B3 (in)	B4 (in)	H1 (in)	H2 (in)	H3 (in)	H4 (in)	H5 (in)	H6 (in)	D (in)	d (in)
				HP	Rated Current																			
					240 V (Amp)	480 V (Amp)																		
WRLH01516S018	18	16	12	7.37	25.2	12.6	42.9	19.5	19.3	1.0	2.6	4-12	20.7	20.8	2.2	19.3	27.6	7.8	18.3	1.5	10.0	12.2	6.3	0.5 (0.4)
WRLH01516S028	28						51.6	23.8	28.0	5.3	0.5													
WRLH01516S038	38						60.2	28.2	36.7	9.7	-1.7													
WRLH01516S048	48						68.9	32.5	45.3	14.0	-3.8													

Wire Rope Hoists
Model WRLH

2721 NE 4th Ave, Pompano, FL 33064 | (954) 367-6116

Visit WWW.ACIHOIST.COM for the most current information

Wire Rope Hoists



Monorail trolley Low Headroom Headroom Single 10 Ton

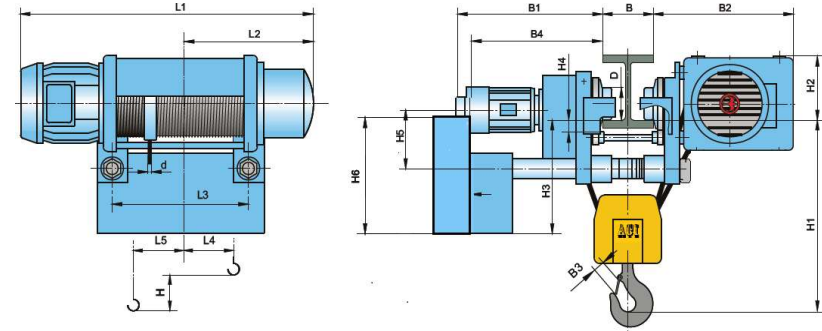
4 Part Single Reeving 4/1

To complete Model Number insert following in place of asterisk.

*S for Single Speed, V for Variable Drive

**4 (for 480 volt) or 2 (for 240 volt)

Note 1: Lifting Speed available in 24 FPM



Model Number	Lift (FT)	Lift Speed (FPM)	Rope Dia. (mm)	Hoist Motor		L1 (in)	L2 (in)	L3 (in)	L4 (in)	L5 (in)	B (in)	B1 (in)	B2 (in)	B3 (in)	B4 (in)	H1 (in)	H2 (in)	H3 (in)	H4 (in)	H5 (in)	H6 (in)	D (in)	d (in)	
				HP	Rated Current																			
					240 V (Amp)																			480 V (Amp)
WRLH02016S016	16	16	15	13	49	24	44.1	19.9	17.8	-1.3	4.4	4-12	21.7	24.7	2.8	19.5	32.7	8.9	19.5	2.4	11.3	12.2	7.9	0.6 (0.5)
WRLH02016S026	26						52.4	24.0	26.1	2.8	2.4													
WRLH02016S036	36						60.6	28.2	34.4	6.9	0.3													
WRLH02016S041	41						64.8	30.3	38.5	9.0	-0.8													
WRLH02016S049	49						71.7	33.9	45.4	12.4	-2.4													

Wire Rope Hoists Model WRLH

Wire Rope Hoists



Monorail trolley Low Headroom Headroom Single 15 Ton

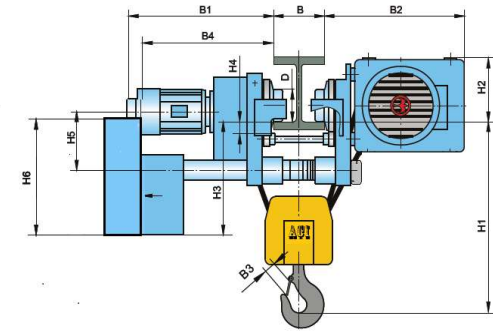
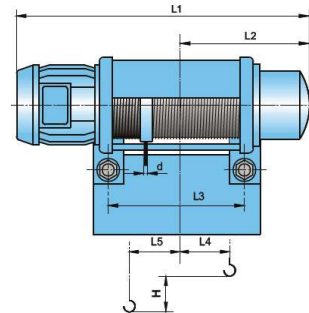
4 Part Single Reeving 4/1

To complete Model Number insert following in place of asterisk.

*S for Single Speed, V for Variable Drive

**4 (for 480 volt) or 2 (for 240 volt)

Note 1: Lifting Speed available in 24 FPM



Model Number	Lift (FT)	Lift Speed (FPM)	Rope Dia. (mm)	Hoist Motor			L1 (in)	L2 (in)	L3 (in)	L4 (in)	L5 (in)	B (in)	B1 (in)	B2 (in)	B3 (in)	B4 (in)	H1 (in)	H2 (in)	H3 (in)	H4 (in)	H5 (in)	H6 (in)	D (in)	d (in)
				HP	Rated Current																			
					240 V (Amp)	480 V (Amp)																		
WRLH03016S026	26	16	15	20.1	78	39	52.4	24.0	26.1	2.8	2.4	4-12	21.7	24.7	2.8	19.5	32.7	8.9	19.5	2.4	11.3	12.2	7.9	0.6 (0.5)
WRLH03016S036	36						60.6	28.2	34.4	6.9	0.3													
WRLH03016S041	41						64.8	30.3	38.5	9.0	-0.8													
WRLH03016S049	49						71.7	33.9	45.4	12.4	-2.4													

Wire Rope Hoists Model WRLH

Wire Rope Hoists



Monorail trolley Low Headroom Headroom Single 15 Ton

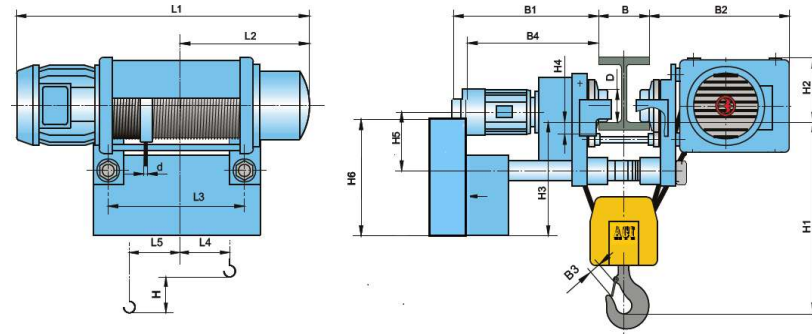
4 Part Single Reeving 4/1

To complete Model Number insert following in place of asterisk.

*S for Single Speed, V for Variable Drive

**4 (for 480 volt) or 2 (for 240 volt)

Note 1: Lifting Speed available in 24 FPM



Model Number	Lift (FT)	Lift Speed (FPM)	Rope Dia. (mm)	Hoist Motor		L1 (in)	L2 (in)	L3 (in)	L4 (in)	L5 (in)	B (in)	B1 (in)	B2 (in)	B3 (in)	B4 (in)	H1 (in)	H2 (in)	H3 (in)	H4 (in)	H5 (in)	H6 (in)	D (in)	d (in)	
				HP	Rated Current																			
					240 V (Amp)																			480 V (Amp)
WRLH03016S026	26	16	18	20.1	78	39	57.5	26.6	28.1	1.5	3.9	4-12	22.6	30.2	2.8	28.7	37.8	11.9	20.7	2.7	12.1	12.2	9.8	0.7 (0.6)
WRLH03016S036	36						65.9	30.9	36.5	5.0	2.4													
WRLH03016S045	45						74.4	35.0	45.0	9.3	0.3													
WRLH03016S056	56						82.7	39.2	53.3	13.4	-1.7													

Wire Rope Hoists Model WRLH

Wire Rope Hoists



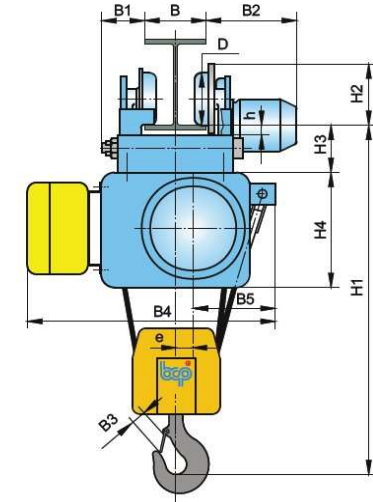
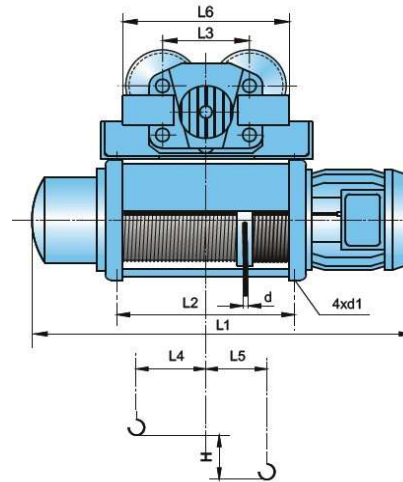
Mounted Trolley, 4 Wheels, Standard Headroom Single Reeved 3 Ton

4 Part Single Reeving 4/1

To complete Model Number insert following in place of asterisk

*S for Single Speed, V for Variable Drive

**4 (for 480 volt) or 2 (for 240 volt)



Model Number	Lift (FT)	Lift Speed (FPM)	Rope Dia. (mm)	Hoist Motor			L1 (in)	L2 (in)	L3 (in)	L4 (in)	L5 (in)	L6 (in)	B (in)	B1 Max (in)	B2 Max (in)	B3 (in)	B4 (in)	B5 (in)	H1 (in)	H2 (in)	H3 (in)	H4 (in)	D (in)	d (in)	e (in)	h (in)	Min Rail Rad. (in)
				HP	Rated Current																						
					240 V (Amp)	480 V (Amp)																					
WRNH00616S021	21	16	7	2.4	11.6	5.8	36.4	16.9	9.5	3.5	1.8	17.7	3.5-5.1	4.5	14.2	1.6	25.6	9.0	35.2	6.1	6.2	12.6	4.9	0.3	1.0	1.7	98.4

Wire Rope Hoists
Model WR

2721 NE 4th Ave, Pompano, FL 33064 | (954) 367-6116

Visit WWW.ACIHOIST.COM for the most current information

Wire Rope Hoists



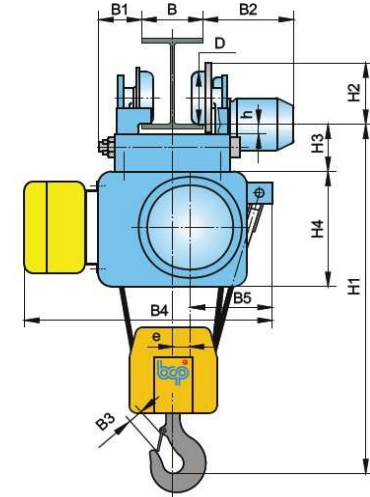
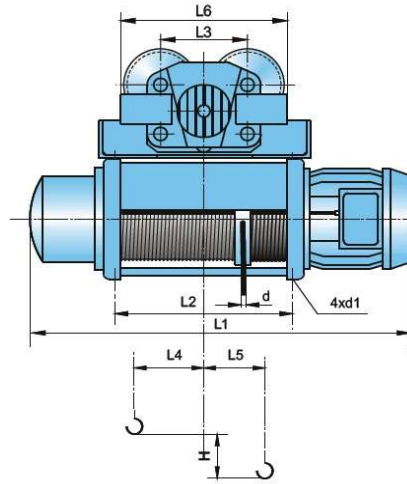
Mounted Trolley, 4 Wheels, Standard Headroom Single Reeved 5 Ton

4 Part Single Reeving 4/1

To complete Model Number insert following in place of asterisk

*S for Single Speed, V for Variable Drive

**4 (for 480 volt) or 2 (for 240 volt)



Model Number	Lift (FT)	Lift Speed (FPM)	Rope Dia. (mm)	Hoist Motor			L1 (in)	L2 (in)	L3 (in)	L4 (in)	L5 (in)	L6 (in)	B (in)	B1 Max (in)	B2 Max (in)	B3 (in)	B4 (in)	B5 (in)	H1 (in)	H2 (in)	H3 (in)	H4 (in)	D (in)	d (in)	e (in)	h (in)	Min Rail Rad. (in)
				HP	Rated Current																						
					240 V (Amp)	480 V (Amp)																					
WRNH01016S020	20	16	10	4.82	22	11	40.4	17.4	9.5	2.6	1.0	17.7	5.1-5.9	4.5	14.2	2.0	28.7	10.0	41.3	6.1	6.2	14.4	4.9	0.4	0.6	1.7	98.4

Wire Rope Hoists
Model WR

2721 NE 4th Ave, Pompano, FL 33064 | (954) 367-6116

Visit WWW.ACIHOIST.COM for the most current information

Wire Rope Hoists



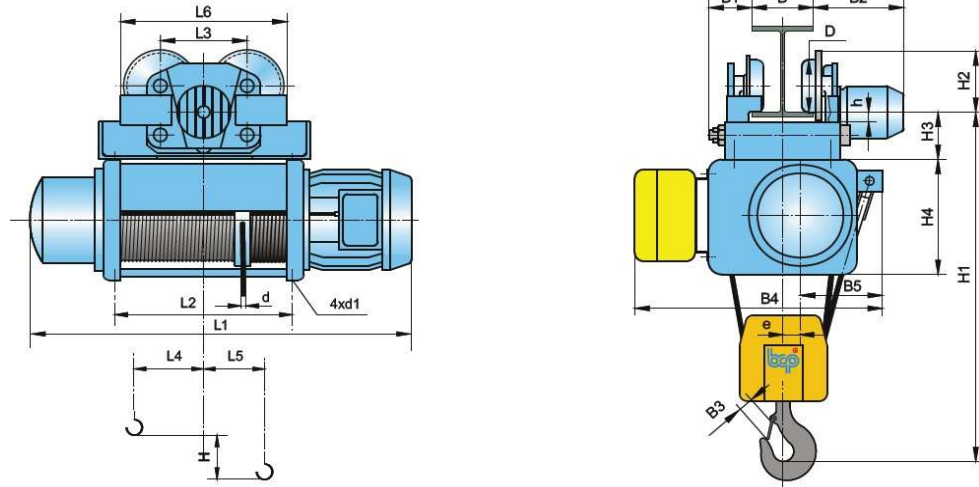
Mounted Trolley, 4 Wheels, Standard Headroom Single Reeved 7.5 Ton

4 Part Single Reeving 4/1

To complete Model Number insert following in place of asterisk

*S for Single Speed, V for Variable Drive

**4 (for 480 volt) or 2 (for 240 volt)



Model Number	Lift (FT)	Lift Speed (FPM)	Rope Dia. (mm)	Hoist Motor		L1 (in)	L2 (in)	L3 (in)	L4 (in)	L5 (in)	L6 (in)	B (in)	B1 Max (in)	B2 Max (in)	B3 (in)	B4 (in)	B5 (in)	H1 (in)	H2 (in)	H3 (in)	H4 (in)	D (in)	d (in)	e (in)	h (in)	Min Rail Rad. (in)	
				HP	Rated Current																						
					240 V (Amp)																						480 V (Amp)
WRNH01516S018	18	16	12	7.37	25.2	12.6	42.9	19.3	11.0	2.6	1.4	20.5	5.1-5.9	4.7	14.4	2.2	28.7	10.0	43.5	7.4	6.9	14.4	6.3	0.47 (0.39)	0.6	1.7	98.4

Wire Rope Hoists
Model WR

2721 NE 4th Ave, Pompano, FL 33064 | (954) 367-6116

Visit WWW.ACIHOIST.COM for the most current information

Wire Rope Hoists



Monorail trolley, 8 Wheels, Standard Headroom Single Reeved 3 Ton

4 Part Single Reeving 4/1

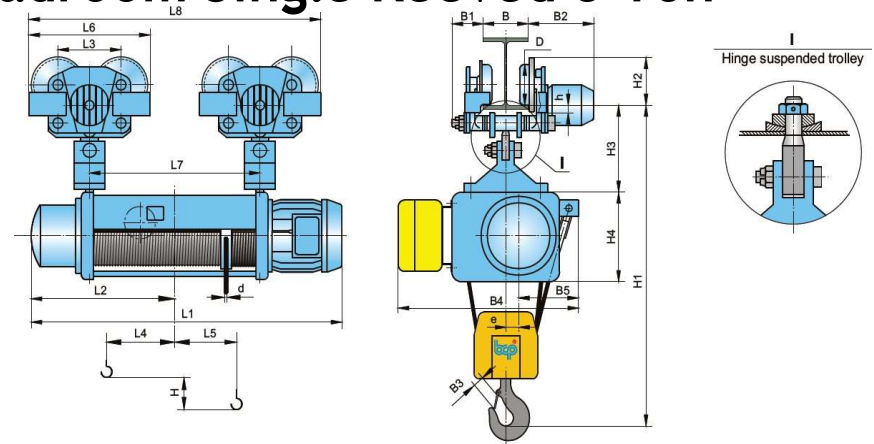
To complete Model Number insert following in place of asterisk.

*S for Single Speed, V for Variable Drive

† for stiff suspended trolley

**4(for 480 volt) or 2 (for 240 volt)

†† for hinge suspended trolley



Model Number	Lift (FT)	Lift Speed (FPM)	Rope Dia. (mm)	Hoist Motor			L1 (in)	L2 (in)	L3 (in)	L4 (in)	L5 (in)	L6 (in)	L7 (in)	L8 (in)	B (in)	B1 Max (in)	B2 Max (in)	B3 (in)	B4 (in)	B5 (in)	H1 (in)		H2 (in)	H3 (in)		H4 (in)	D (in)	d (in)	e (in)	h (in)		Min Rail Rad. (in)			
				HP	Rated Current																†	††		†	††					†	††				
					240 V (Amp)	480 V (Amp)																													
WRNH00616S021	33	16	7	2.4	11.6	5.8	44.3	20.5	8.5	7.5	-1.8	15.8	24.8	40.5	3.5-5.1	3.9	12.2	1.6	25.6	9.0	35.6	37.4	5.2	6.6	8.5	12.6	3.9	0.3	1.0	1.8	1.8	59.1			
WRNH00616S044	44						52.2	24.4		11.4	-3.7		32.6	48.4					28.7	10.0				6.1	7.7				10.4	4.9	0.6		1.7	1.4	
WRNH00616S059	59						56.1	26.4		12.1	-4.5		33.1	50.8					28.7	10.0				6.1	7.7				10.4	4.9	0.6		1.7	1.4	
WRNH00616S066	66		10				2.4	11.6	5.8	60.2	28.2	9.5	13.6	-5.1	17.7	36.7	54.4	5.1-5.9	4.5	14.2	1.6	28.7	10.0	38.5	41.1	6.1	7.7	10.4	14.4	4.9	0.3	0.6	1.7	1.4	98.4
WRNH00616S084	84									68.9	32.5		17.9	-7.3		45.3	63.0					28.7	10.0				6.1	7.7				10.4	4.9	0.6	

Wire Rope Hoists
Model WR

2721 NE 4th Ave, Pompano, FL 33064 | (954) 367-6116

Visit WWW.ACIHOIST.COM for the most current information

Wire Rope Hoists



Monorail trolley, 8 Wheels, Standard Headroom Single Reeved 5 Ton

4 Part Single Reeving 4/1

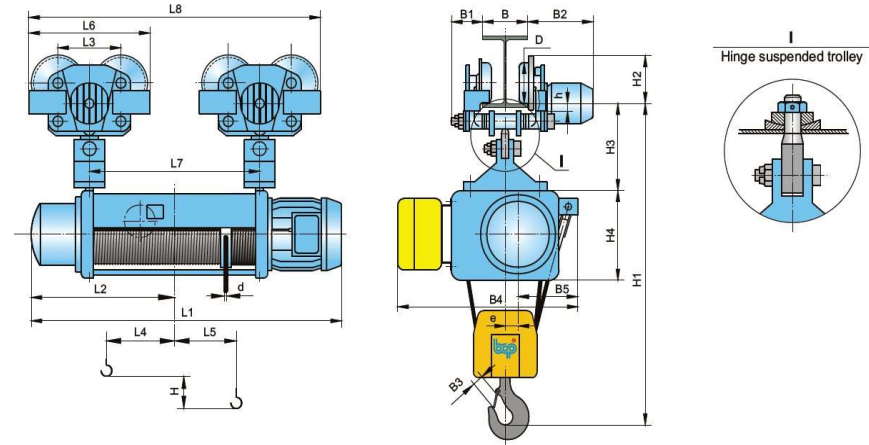
To complete Model Number insert following in place of asterisk.

*S for Single Speed, V for Variable Drive

† for stiff suspended trolley

**4(for 480 volt) or 2 (for 240 volt)

†† for hinge suspended trolley



Model Number	Lift (FT)	Lift Speed (FPM)	Rope Dia. (mm)	Hoist Motor			L1 (in)	L2 (in)	L3 (in)	L4 (in)	L5 (in)	L6 (in)	L7 (in)	L8 (in)	B (in)	B1 Max (in)	B2 Max (in)	B3 (in)	B4 (in)	B5 (in)	H1 (in)		H2 (in)	H3 (in)		H4 (in)	D (in)	d (in)	e (in)	h (in)		Min Rail Rad. (in)
				HP	Rated Current																†	††		†	††					†	††	
					240 V (Amp)	480 V (Amp)																										
WRNH01016S030	30	16	10	4.82	22	11	48.2	22.4	9.5	6.5	-1.0	17.7	25.2	43.0	5.1-5.9	4.5	14.2	2.0	28.7	10.0	42.8	45.4	6.1	7.7	45.4	6.1	4.9	0.4	0.6	1.7	1.4	98.4
WRNH01016S041	41						56.1	26.4		10.4	-3.0		33.1	50.8																		
WRNH01016S054	54						60.6	28.2		12.4	-4.7		34.4	52.1																		
WRNH01016S062	62						64.8	30.3		14.5	-5.7		38.5	56.2																		
WRNH01016S074	74						71.7	33.9		17.9	-7.5		45.4	63.1																		

Wire Rope Hoists
Model WR

2721 NE 4th Ave, Pompano, FL 33064 | (954) 367-6116

Visit WWW.ACIHOIST.COM for the most current information

Wire Rope Hoists



Monorail trolley, 8 Wheels, Standard Headroom Single Reeved 7.5 Ton

4 Part Single Reeving 4/1

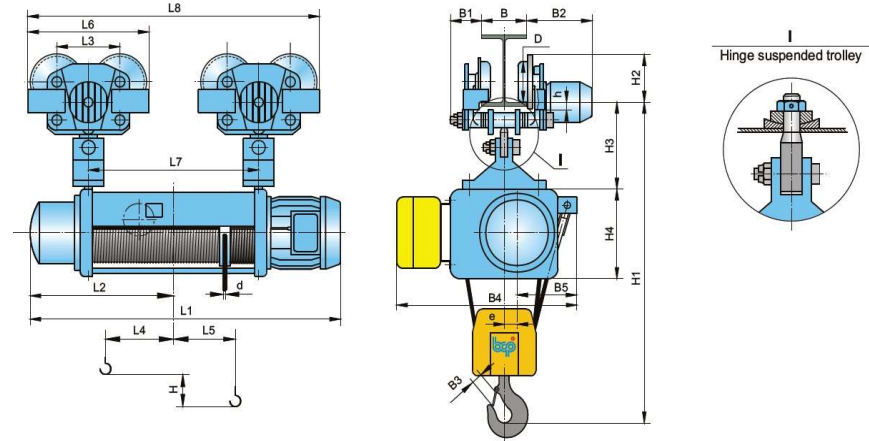
To complete Model Number insert following in place of asterisk.

*S for Single Speed, V for Variable Drive

† for stiff suspended trolley

**4(for 480 volt) or 2 (for 240 volt)

†† for hinge suspended trolley



Model Number	Lift (FT)	Lift Speed (FPM)	Rope Dia. (mm)	Hoist Motor													H1 (in)		H2 (in)	H3 (in)		H4 (in)	D (in)	d (in)	e (in)	h (in)		Min Rail Rad. (in)				
				HP	Rated Current		L1 (in)	L2 (in)	L3 (in)	L4 (in)	L5 (in)	L6 (in)	L7 (in)	L8 (in)	B (in)	B1 Max (in)	B2 Max (in)	B3 (in)		B4 (in)	B5 (in)					†	††		†	††	†	††
					240 V (Amp)	480 V (Amp)																										
WRNH01516S028	28	16	12	7.37	25.2	12.6	51.6	23.8	7.0	-0.8	28.0	45.7	5.1-5.9	4.5	14.2	2.2	28.7	10.0	44.4	47.0	6.1	7.7	10.4	14.4	4.9	0.47 (0.39)	0.6	1.7	1.4	98.4		
WRNH01516S038	38						60.2	28.2																							11.3	-2.8
WRNH01516S048	48						68.9	32.5	9.5	15.6	-4.9	17.7																			45.3	63.0
WRNH01516S051	51						64.8	30.3	14.5	-5.7	38.5	56.2																				
WRNH01516S061	61						71.7	33.9	17.9	-7.5	45.4	63.1																				

Wire Rope Hoists
Model WR

2721 NE 4th Ave, Pompano, FL 33064 | (954) 367-6116

Visit WWW.ACIHOIST.COM for the most current information

Wire Rope Hoists



Monorail trolley, 8 Wheels, Standard Headroom Single Reeved 10 Ton

4 Part Single Reeving 4/1

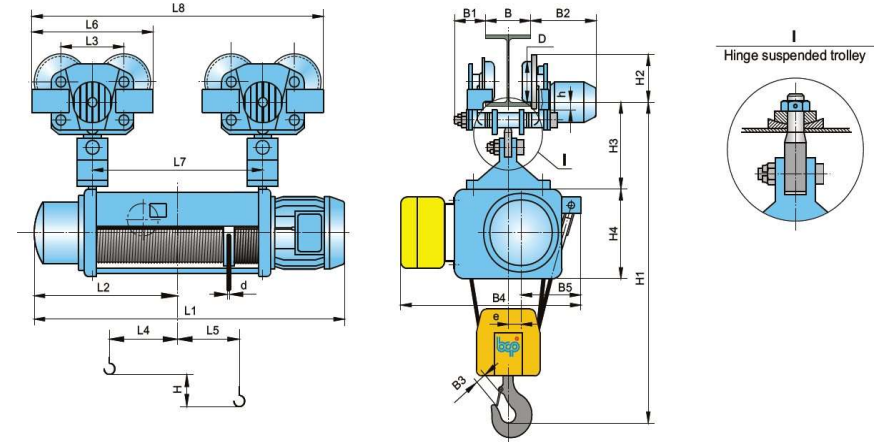
To complete Model Number insert following in place of asterisk.

*S for Single Speed, V for Variable Drive

† for stiff suspended trolley

**4(for 480 volt) or 2 (for 240 volt)

†† for hinge suspended trolley



Model Number	Lift (FT)	Lift Speed (FPM)	Rope Dia. (mm)	Hoist Motor		L1 (in)	L2 (in)	L3 (in)	L4 (in)	L5 (in)	L6 (in)	L7 (in)	L8 (in)	B (in)	B1 Max (in)	B2 Max (in)	B3 (in)	B4 (in)	B5 (in)	H1 (in)		H2 (in)	H3 (in)		H4 (in)	D (in)	d (in)	e (in)	h (in)		Min Rail Rad. (in)	
				HP	Rated Current															†	††		†	††								
					240 V (Amp)																								480 V (Amp)			
WRNH02016S016	16	16	15	13	49	24	44.1	19.9	11.0	1.1	2.4	20.5	17.8	38.3	5.1-5.9	4.7	14.4	2.8	33.5	12.2	53.5	57.8	7.4	9.2	13.4	17.0	6.3	0.59 (0.51)	0.6	1.8	1.7	98.4
WRNH02016S026	26						52.4	24.0		5.3	0.3		26.1	46.6																		
WRNH02016S036	36						60.6	28.2		9.4	-1.7		34.4	54.8																		
WRNH02016S041	41						64.8	30.3		11.5	-2.8		45.4	65.9																		
WRNH02016S049	49						71.7	33.9		16.1	-5.9		45.0	65.5																		
WRNH02016S054	54						74.4	35.0		16.1	-5.9		45.0	65.5																		
WRNH02016S066	66						82.7	39.2		20.2	-8.0		53.3	73.7							39.4	14.5		58.2	62.4					10.0	14.2	

Wire Rope Hoists
Model WR

2721 NE 4th Ave, Pompano, FL 33064 | (954) 367-6116

Visit WWW.ACIHOIST.COM for the most current information

Wire Rope Hoists



Monorail trolley, 8 Wheels, Standard Headroom Single Reeved 15 Ton

4 Part Single Reeving 4/1

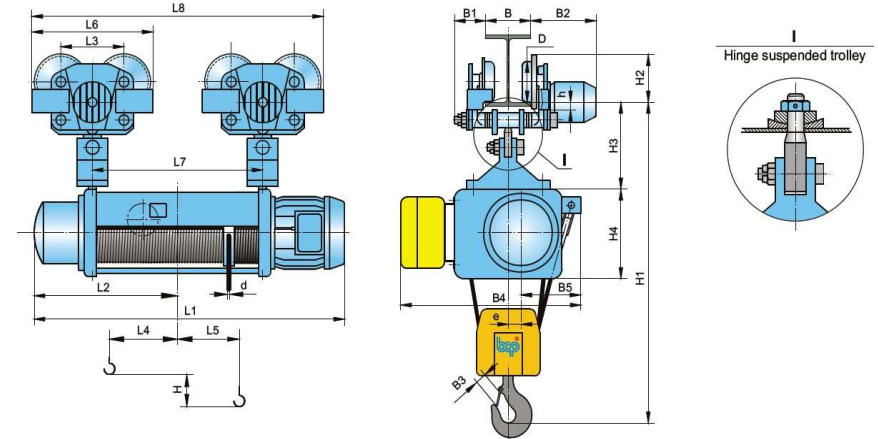
To complete Model Number insert following in place of asterisk.

*S for Single Speed, V for Variable Drive

† for stiff suspended trolley

**4(for 480 volt) or 2 (for 240 volt)

†† for hinge suspended trolley



Model Number	Lift (FT)	Lift Speed (FPM)	Rope Dia. (mm)	Hoist Motor		L1 (in)	L2 (in)	L3 (in)	L4 (in)	L5 (in)	L6 (in)	L7 (in)	L8 (in)	B (in)	B1 Max (in)	B2 Max (in)	B3 (in)	B4 (in)	B5 (in)	H1 (in)		H3 (in)		H4 (in)	D (in)	d (in)	e (in)	h (in)		Min Rail Rad. (in)		
				HP	Rated Current															†	††	†	††					†	††			
					240 V (Amp)																										480 V (Amp)	
WRNH03016S026	26	16	18	20.1	78	39	57.5	26.6	11.0	4.0	1.8	20.5	28.1	48.5	5.1-5.9	4.7	14.4	2.8	39.4	14.5	63.3	67.5	7.4	10.0	14.2	20.9	6.3	0.71 (0.59)	0.9	1.8	1.7	137.8
WRNH03016S036	36						65.9	30.9													8.3	-0.3	36.5	57.0								

Wire Rope Hoists
Model WR

2721 NE 4th Ave, Pompano, FL 33064 | (954) 367-6116

Visit WWW.ACIHOIST.COM for the most current information

Wire Rope Hoists



Monorail trolley, 8 Wheels, Standard Headroom Single Reeved 15 Ton

4 Part Single Reeving 4/1

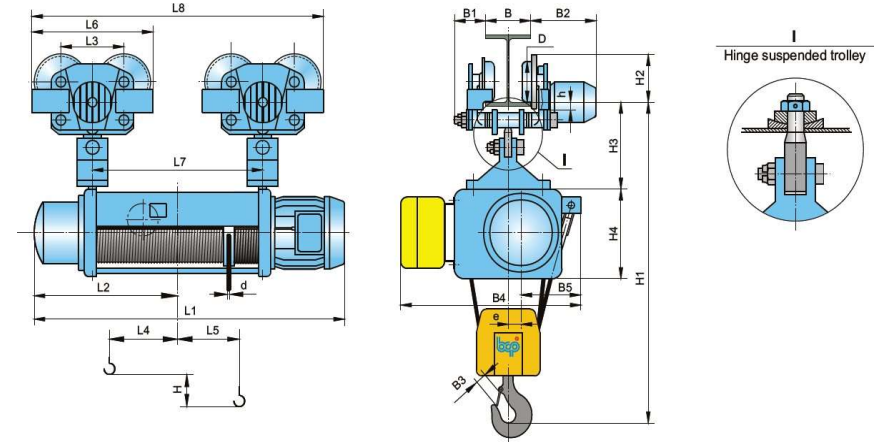
To complete Model Number insert following in place of asterisk.

*S for Single Speed, V for Variable Drive

† for stiff suspended trolley

**4(for 480 volt) or 2 (for 240 volt)

†† for hinge suspended trolley



Model Number	Lift (FT)	Lift Speed (FPM)	Rope Dia. (mm)	Hoist Motor			L1 (in)	L2 (in)	L3 (in)	L4 (in)	L5 (in)	L6 (in)	L7 (in)	L8 (in)	B (in)	B1 Max (in)	B2 Max (in)	B3 (in)	B4 (in)	B5 (in)	H1 (in)		H2 (in)	H3 (in)		H4 (in)	D (in)	d (in)	e (in)	h (in)		Min Rail Rad. (in)
				HP	Rated Current																†	††		†	††					†	††	
					240 V (Amp)	480 V (Amp)																										
WRNH03016S026	26	16	18	20.1	78	39	57.5	26.6	13.9	4.0	1.8	29.1	28.1	57.2	5.1-5.9	6.3	14.4	2.8	39.4	14.5	70.5	13.2	15.9	20.9	9.8	0.71 (0.59)	0.9	2.4	137.8
WRNH03016S036	36						65.9	30.9		8.3	-0.3		36.5	65.7																		
WRNH03016S046	46						74.4	35.0		12.5	-2.4		45.0	74.1																		
WRNH03016S056	56						82.7	39.2		16.6	-4.5		53.3	82.6																		

Wire Rope Hoists
Model WR

2721 NE 4th Ave, Pompano, FL 33064 | (954) 367-6116

Visit WWW.ACIHOIST.COM for the most current information

Wire Rope Hoists



Monorail trolley, 8 Wheels, Standard Headroom Single Reeved 20 Ton

4 Part Single Reeving 4/1

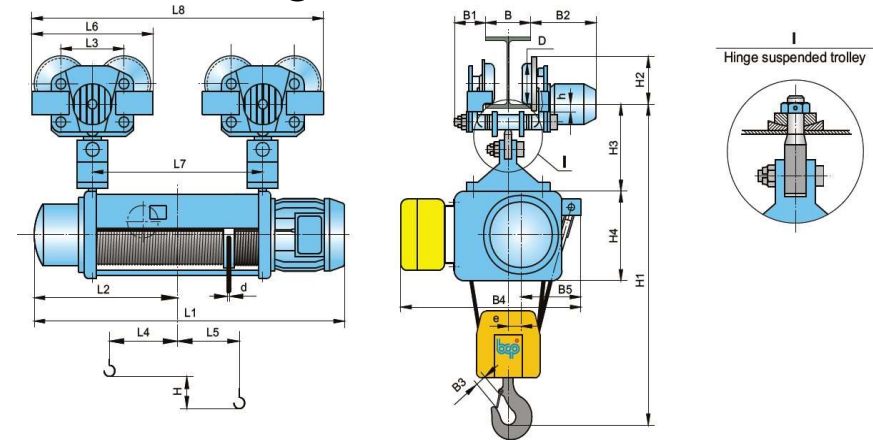
To complete Model Number insert following in place of asterisk.

*S for Single Speed, V for Variable Drive

† for stiff suspended trolley

**4(for 480 volt) or 2 (for 240 volt)

†† for hinge suspended trolley



Model Number	Lift (FT)	Lift Speed (FPM)	Rope Dia. (mm)	Hoist Motor		L1 (in)	L2 (in)	L3 (in)	L4 (in)	L5 (in)	L6 (in)	L7 (in)	L8 (in)	B (in)	B1 Max (in)	B2 Max (in)	B3 (in)	B4 (in)	B5 (in)	H1 (in)		H2 (in)	H3 (in)		H4 (in)	D (in)	d (in)	e (in)	h (in)		Min Rail Rad. (in)	
				HP	Rated Current															†	††		†	††					†	††		
					240 V (Amp)																											480 V (Amp)
WRNH04016S026	26	13	18			60.5	29.6	13.9	4.0	1.8	29.1	28.1	57.2	5.1-5.9	6.3	14.4	3.5	39.4	14.5	70.5	13.2	15.9	22.0	9.8	0.71 (0.59)	0.9	2.4	137.8	
WRNH04016S036	36					69.0	33.9		8.3	-0.3		36.5	65.7																			
WRNH04016S046	46					77.4	39.1		12.5	-2.4		45.0	74.1																			
WRNH04016S036	56					85.7	42.2		16.6	-4.5		53.3	82.6																			

Wire Rope Hoists
Model WR

2721 NE 4th Ave, Pompano, FL 33064 | (954) 367-6116

Visit WWW.ACIHOIST.COM for the most current information

Wire Rope Hoists



Monorail trolley, 8 Wheels, Standard Headroom Single Reeved 25 Ton

4 Part Single Reeving 4/1

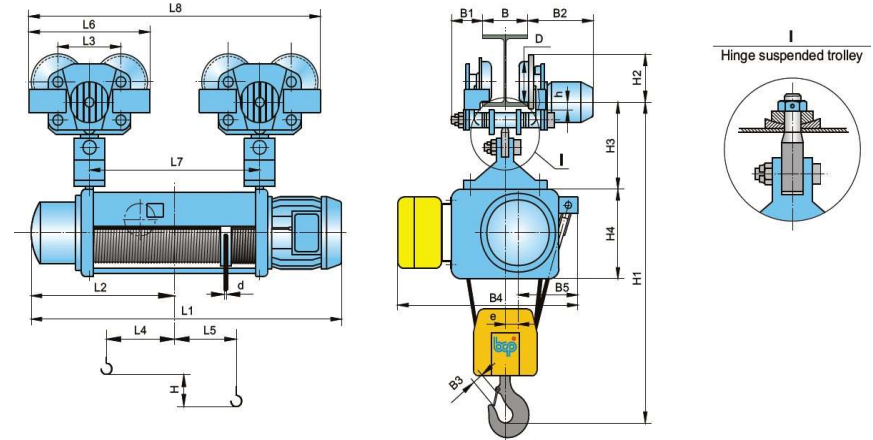
To complete Model Number insert following in place of asterisk.

*S for Single Speed, V for Variable Drive

† for stiff suspended trolley

**4(for 480 volt) or 2 (for 240 volt)

†† for hinge suspended trolley



Model Number	Lift (FT)	Lift Speed (FPM)	Rope Dia. (mm)	Hoist Motor		L1 (in)	L2 (in)	L3 (in)	L4 (in)	L5 (in)	L6 (in)	L7 (in)	L8 (in)	B (in)	B1 Max (in)	B2 Max (in)	B3 (in)	B4 (in)	B5 (in)	H1 (in)		H2 (in)	H3 (in)		H4 (in)	D (in)	d (in)	e (in)	h (in)		Min Rail Rad. (in)	
				HP	Rated Current															†	††		†	††					†	††		
					240 V (Amp)																											480 V (Amp)
WRNH05510S025	25	10	18			60.5	29.6	13.9	4.0	1.8	29.1	28.1	57.2	5.1-5.9	6.3	14.4	3.5	39.4	14.5	70.5	13.2	15.9	22.0	9.8	0.71 (0.59)	0.9	2.4	137.8	
WRNH05510S034	34					69.0	33.9		8.3	-0.3		36.5	65.7																			
WRNH05510S043	43					77.4	39.1		12.5	-2.4		45.0	74.1																			
WRNH05510S052	52					85.7	42.2		16.6	-4.5		53.3	82.6																			

Wire Rope Hoists
Model WR

2721 NE 4th Ave, Pompano, FL 33064 | (954) 367-6116

Visit WWW.ACIHOIST.COM for the most current information