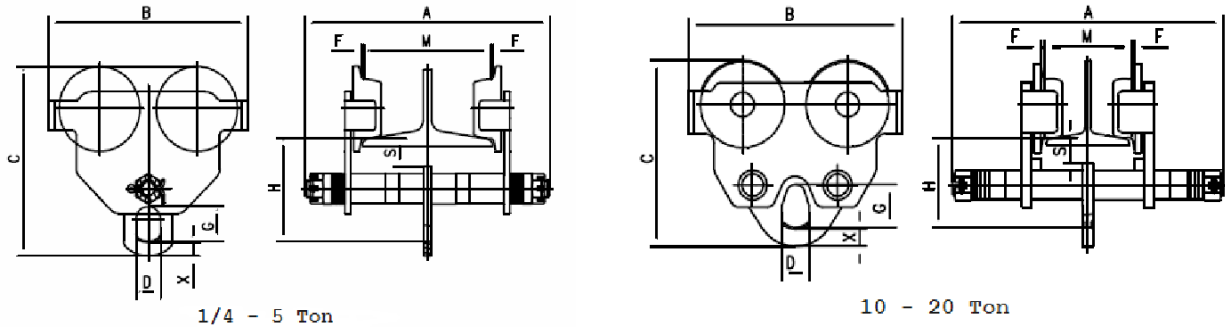


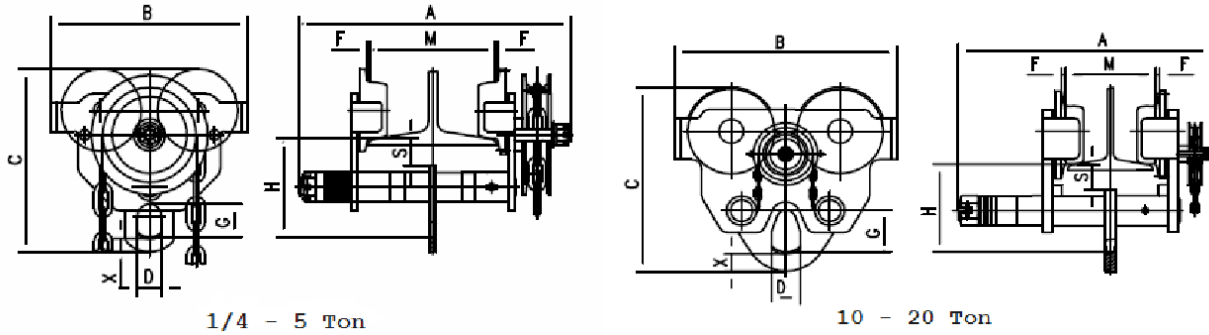
Push Trolley and Gear Trolley Dimensions & Specifications

Push Trolley Dimensions & Specifications



| Model | PT-005-S | PT-010-S | PT-020-S | PT-040-S | PT-060-S | PT-060-L | PT-100-S | PT-100-L | PT-200-L | PT-400-L | |
|----------------------------|-----------|----------|----------|----------|----------|----------|----------|----------|----------|----------|-----------|
| Rated Capacity (Tons) | ¼ | ½ | 1 | 2 | 3 | 3 | 5 | 5 | 10 | 20 | |
| Min. radius of curve (ft.) | 2.6 | 2.6 | 3.3 | 3.6 | 4.3 | 4.3 | 4.6 | 4.6 | 6.6 | 11.5 | |
| Diameter of wheel (in) | 2.3 | 2.3 | 2.9 | 3.5 | 4.3 | 4.3 | 4.8 | 4.8 | 5.9 | 7.9 | |
| Dimensions (in) | A | 9.6 | 9.6 | 12.2 | 12.9 | 13.5 | 17.5 | 14 | 18 | 20.1 | 23.8 |
| | B | 7.6 | 7.6 | 9.7 | 10.9 | 13.1 | 13.1 | 14.8 | 14.8 | 16.7 | 23.8 |
| | C | 7.4 | 7.4 | 8.7 | 10.3 | 12.2 | 12.2 | 13.9 | 13.9 | 15.6 | 19.6 |
| | H | 4.1 | 4.1 | 4.9 | 5.9 | 6.7 | 6.7 | 7.7 | 7.7 | 7.5 | 9.2 |
| | S | 1.2 | 1.2 | 1.5 | 1.5 | 1.6 | 1.6 | 1.7 | 1.7 | 1.8 | 2.3 |
| | D | 1 | 1 | 1.2 | 1.5 | 1.6 | 1.6 | 2 | 2 | 2.8 | 3.7 |
| | X | 0.63 | 0.63 | 0.63 | 0.75 | 0.88 | 0.88 | 1.13 | 1.13 | 2 | 3.5 |
| | G | 1.3 | 1.3 | 1.6 | 2 | 2.5 | 2.5 | 3 | 3 | 4.3 | 5.3 |
| F | 0.10-0.12 | | | | | | | | | | |
| I-beam width range (in) | M | 2.0-6.0 | 2.0-6.0 | 2.5-8.0 | 3.5-8.0 | 4.0-8.0 | 4.0-12.0 | 4.5-8.0 | 4.5-12.0 | 4.9-12.0 | 5.4-12.00 |
| Net Weight (lbs) | 15.4 | 15.4 | 26.5 | 48.5 | 66 | 80 | 85 | 100 | 205 | 518 | |

Gear Trolley Specifications & Dimensions



| Model | GT-005-S | GT-010-S | GT-020-S | GT-040-S | GT-060-S | GT-060-L | GT-100-S | GT-100-L | GT-200-L | GT-400-L | |
|---------------------------|----------|----------|----------|----------|----------|----------|----------|-----------|----------|----------|----------|
| Rated Capacity (Tons) | ¼ | ½ | 1 | 2 | 3 | 3 | 5 | 5 | 10 | 20 | |
| Standard Hand Chain Drop | 8 ft. | | | | | | | | | | |
| Min. radius of curve (ft) | 3.3 | 3.3 | 3.3 | 3.6 | 4.3 | 4.3 | 4.6 | 4.6 | 6.6 | 11.5 | |
| Diameter or wheel (in) | 2.9 | 2.9 | 2.9 | 3.5 | 4.3 | 4.3 | 4.8 | 4.8 | 5.9 | 7.9 | |
| Dimensions (in) | A | 13.3 | 13.3 | 13.3 | 13.7 | 14.3 | 18.3 | 14.7 | 18.7 | 20.1 | 23.8 |
| | B | 9.7 | 9.7 | 9.7 | 10.9 | 13.1 | 13.1 | 14.8 | 14.8 | 16.7 | 23.8 |
| | C | 8.7 | 8.7 | 8.7 | 10.3 | 12.2 | 12.2 | 13.9 | 13.9 | 15.6 | 19.6 |
| | H | 4.9 | 4.9 | 4.9 | 5.9 | 6.7 | 6.7 | 7.7 | 7.7 | 7.5 | 9.2 |
| | S | 1.5 | 1.5 | 1.5 | 1.5 | 1.6 | 1.6 | 1.7 | 1.7 | 1.8 | 2.3 |
| | D | 1.2 | 1.2 | 1.2 | 1.5 | 1.6 | 1.6 | 1.7 | 1.7 | 1.8 | 2.3 |
| | X | 0.63 | 0.63 | 0.63 | 0.75 | 0.88 | 0.88 | 1.13 | 1.13 | 2.00 | 3.5 |
| | G | 1.6 | 1.6 | 1.6 | 2.0 | 2.5 | 2.5 | 3.0 | 3.0 | 4.3 | 5.3 |
| F | 0.10 | | | | | | | 0.10-0.14 | | | |
| I-beam width range (in) | M | 2.5-8.0 | 2.5-8.0 | 2.5-8.0 | 3.5-8.0 | 4.0-8.0 | 4.0-12.0 | 4.5-8.0 | 4.5-12.0 | 4.9-12.0 | 5.4-12.0 |
| Net Weight (lbs) | | 31.0 | 31.0 | 42.0 | 64.0 | 88 | 95 | 108 | 113 | 227 | 540 |