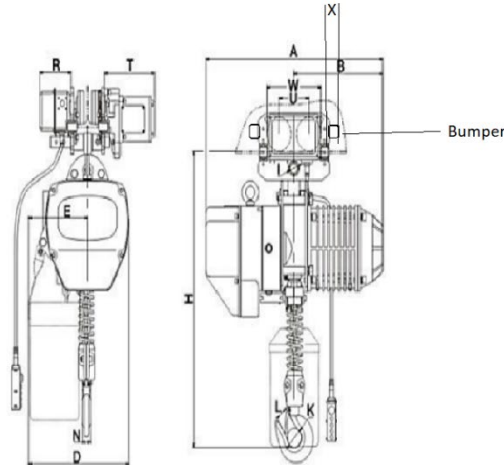


Motorized Trolley Dimensions & Specifications



ACI P/N	Capacity (ton)	Description	No. of trolley motors	Listed HP	A (in)	B (in)	R (in)	T (in)	X (in)	Minimum curve radius (in)	Listed Full Load		Gross weight (Kg)		
											230 V	460 V			
NMT-010043	0.5	NMT, 0.5ton, 43 FPM, 460/230V/3P/60Hz	1	0.54	12.4	8.3	5.6	9.1	1.0	31.5	2.3	13.0	1.75	0.87	43
NMT-010083	0.5	NMT, 0.5ton, 83 FPM, 460/230V/3P/60Hz	1	0.54	12.4	8.3	5.6	9.1	1.0	31.5	2.3	13.0	1.75	0.87	43
NMT-020043	1	NMT, 1ton, 43 FPM, 460/230V/3P/60Hz	1	0.54	12.4	8.3	5.6	9.1	1.0	31.5	2.3	13.0	1.75	0.87	43
NMT-020083	1	NMT, 1ton, 83 FPM, 460/230V/3P/60Hz	1	0.54	12.4	8.3	5.6	9.1	1.0	31.5	2.3	13.0	1.75	0.87	43
NMT-040043	2	NMT, 2ton, 43 FPM, 460/230V/3P/60Hz	1	0.54	12.8	8.7	5.6	9.1	1.0	31.5	3.2	13.0	1.75	0.87	52
NMT-040083	2	NMT, 2ton, 83 FPM, 460/230V/3P/60Hz	1	0.54	12.8	8.7	5.6	9.1	1.0	31.5	3.2	13.0	1.75	0.87	52
NMT-060043	3	NMT, 3ton, 43 FPM, 460/230V/3P/60Hz	1	1.01	13.4	9.8	5.6	9.1	1.0	39.4	3.9	13.0	3.26	1.63	65
NMT-060083	3	NMT, 3ton, 83 FPM, 460/230V/3P/60Hz	1	1.01	13.4	9.8	5.6	9.1	1.0	39.4	3.9	13.0	3.26	1.63	65
NMT-100043	5	NMT, 5ton, 43 FPM, 460/230V/3P/60Hz	1	1.01	15.7	11.5	5.6	9.1	1.0	70.9	3.9	13.0	3.26	1.63	90
NMT-100083	5	NMT, 5ton, 83 FPM, 460/230V/3P/60Hz	1	1.01	15.7	11.5	5.6	9.1	1.0	70.9	3.9	13.0	3.26	1.63	90
NMT-150043	7.5	NMT, 7.5ton, 43 FPM, 460/230V/3P/60Hz	1	1.01	15.7	11.5	5.6	9.1	1.0	70.9	3.9	13.0	3.26	1.63	95
NMT-150083	7.5	NMT, 7.5ton, 83 FPM, 460/230V/3P/60Hz	1	1.01	15.7	11.5	5.6	9.1	1.0	70.9	3.9	13.0	3.26	1.63	95
NMT-200043	10	NMT, 10ton, 43 FPM, 460/230V/3P/60Hz	1	1.01	19.7	14.6	5.6	9.1	1.0	98.4	5.9	13.0	3.26	1.63	148
NMT-200083	10	NMT, 10ton, 83 FPM, 460/230V/3P/60Hz	1	1.01	19.7	14.6	5.6	9.1	1.0	98.4	5.9	13.0	3.26	1.63	148