

HLC



VLC

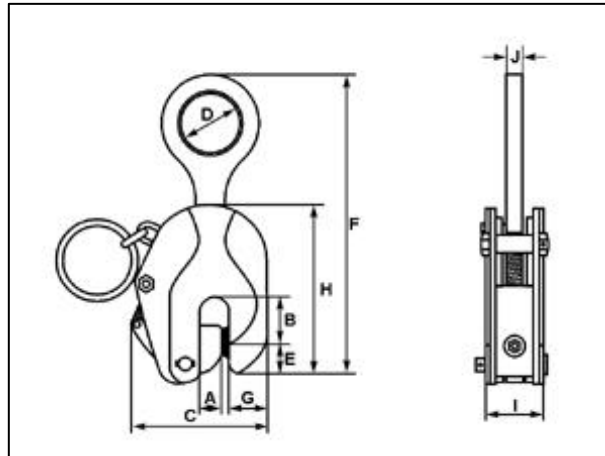


Features

- Capacity range from 1 to 5 ton.
- Designed for vertical or horizontal plate lifting.
- Easy to install with minimum headroom.
- Robust all steel construction with safety operation.
- Compact size with light weight
- The locking mechanism provides and additional safety for the operator.
- Easy to replace wear parts.
- Minimum maintenance

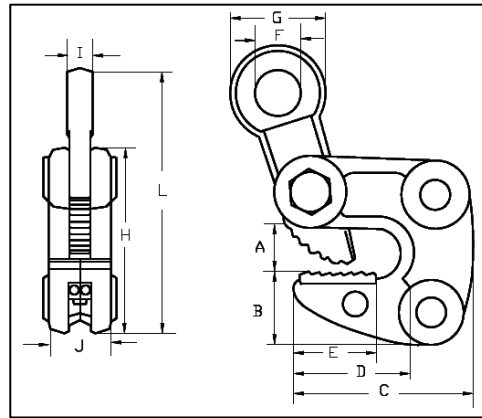
Clamp Construction

The clamps are designed for lifting plate.
Before installing, make sure that the load doesn't exceed the rated capacity of the clamp.
Clamp should always be stored indoor. Never leave them exposed to the elements.



VLC PLATE CLAMP SPECIFICATIONS

Models	VLC-020	VLC-040	VLC-060	VLC-100	
Lifting capacity(tons)	1	2	3	5	
Jaw opening (in)	0 - 0.9	0 - 1.2	0 - 1.4	0 - 2	
Dimensions (in)	A	0.9	1.4	2	
	B	1.4	1.8	2.3	
	C	4.9	6.1	6.9	8.6
	D	2	2.4	2.4	2.6
	E	0.9	1.2	1.4	1.6
	F	8.7 - 10.2	9.8 - 11.6	11.7 - 14.1	13.9 - 16.5
	G	1.2	1.5	1.6	2.4
	H	6.1	7.5	8.9	10.6
	I	2	2.4	2.7	3
J	0.6	0.7	0.8	0.9	
Net weight (lb)	7.9	13.2	20.3	36.4	



HLC PLATE CLAMP SPECIFICATIONS

Models		HLC-020	HLC-040
Lifting Capacity (tons)		1	2
Plate Thickness (in)		.1-.7	.1-.9
Dimensions (in)	A	0.9	1.3
	B	1.4	1.8
	C	4	5.1
	D	2.5	3.3
	E	1.7	2.2
	F	2.8	3.6
	G	1.8	2.2
	H	3.9	5.2
	I	0.5	0.6
	J	1.3	1.6
L	6.5	9.3	
Net Weight (lbs)		4.4	10.1