

## Features

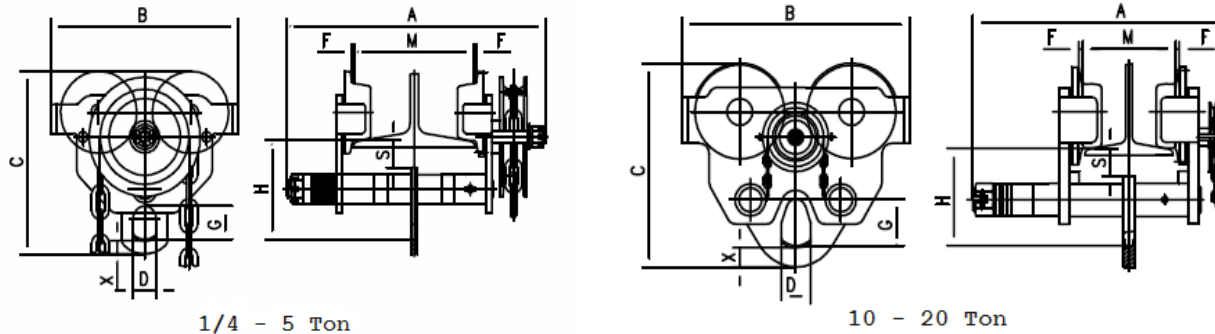


- Use the GT for precise load control and shorter traversing distances.
- Capacity range from 0.25 to 20 ton
- Easily Adjustable to fit a wide range of beam widths simply by adjusting the number of collars.
- Anti-friction precision type ball bearings.
- High grade sealed ball bearings with a minimum B10 bearing life of 3,000 hours.
- Anti-tilt and anti-drop devices are standard.
- Forged steel wheels hardened to a minimum of 425 Brinell are made to fit any shape of the beam.
- Zinc plated hand chain as standard for gear trolley.
- Double row bearings with combination radial and thrust.
- Easy to install with minimum headroom.
- Flange Width can be customized to fit almost any beam. (Fee may apply for modification, please contact ACI for further information.)

## Trolley Design

GT Geared Trolleys are versatile and durable and are the economical choice for adding mobility to our hoists. They are an excellent option when accurate load spotting is a must. Designed with light weight robust construction, minimal maintenance, and simplified part replacement. Match the needs of any job with a variety of trolley hoist suspenders.

# Geared Trolleys



## GEARED TROLLEY SPECIFICATIONS

Model	GT-005-S	GT-010-S	GT-020-S	GT-040-S	GT-060-S	GT-060-L	GT-100-S	GT-100-L	GT-200-L	GT-400-L	
Rated Capacity (tons)	¼	½	1	2	3	3	5	5	10	20	
Standard Hand Chain Drop	8 ft.										
Min. radius of curve (ft.)	3.3	3.3	3.3	3.6	4.3	4.3	4.6	4.6	6.6	11.5	
Diameter of wheel (in.)	2.9	2.9	2.9	3.5	4.3	4.3	4.8	4.8	5.9	7.9	
Dimensions (in.)	A	13.3	13.3	13.3	13.7	14.3	18.3	14.7	18.7	20.1	23.8
	B	9.7	9.7	9.7	10.9	13.1	13.1	14.8	14.8	16.7	23.8
	C	8.7	8.7	8.7	10.3	12.2	12.2	13.9	13.9	15.6	19.6
	H	4.9	4.9	4.9	5.9	6.7	6.7	7.7	7.7	7.5	9.2
	S	1.5	1.5	1.5	1.5	1.6	1.6	1.7	1.7	1.8	2.3
	D	1.2	1.2	1.2	1.5	1.6	1.6	2.0	2.0	2.8	3.7
	X	0.63	0.63	0.63	0.75	0.88	0.88	1.13	1.13	2.00	3.5
	G	1.6	1.6	1.6	2.0	2.5	2.5	3.0	3.0	4.3	5.3
F	0.10 - 0.12								0.10 - 0.14		
I-beam width range (in.)	M	2.5 - 8.0	2.5 - 8.0	2.5 - 8.0	3.5 - 8.0	4.0 - 8.0	4.0 - 12.0	4.5 - 8.0	4.5 - 12.0	4.9 - 12.0	5.4 - 12.0
Net weight (lbs.)		31	31	42	64	88	95	108	113	227	540

\*\* Flange Width can be customized to fit almost any beam. (Fee may apply for modification)