

The Best Suspension Accessory

ACI's Beam Clamp is the perfect accessory when a semi-permanent hoist anchor point is required. The Beam Clamp can also be used as a below the-hook lifting attachment. This adjustable beam clamp offers a cost-effective method for most workholding and positioning applications in the most efficient way.

Available in capacities of 1, 2, 3, 5 and 10 Tons.

Adjustable Attachment

Easy Operation

- Lightweight portable design
- Left-hand and right-hand clamp screw allows for quick clamping and unclamping
- Jaw opening adjusts for a wide range of tapered or flat-flanged beams
- Model BCS has a shackle incorporated for load suspension

Dependability and Design

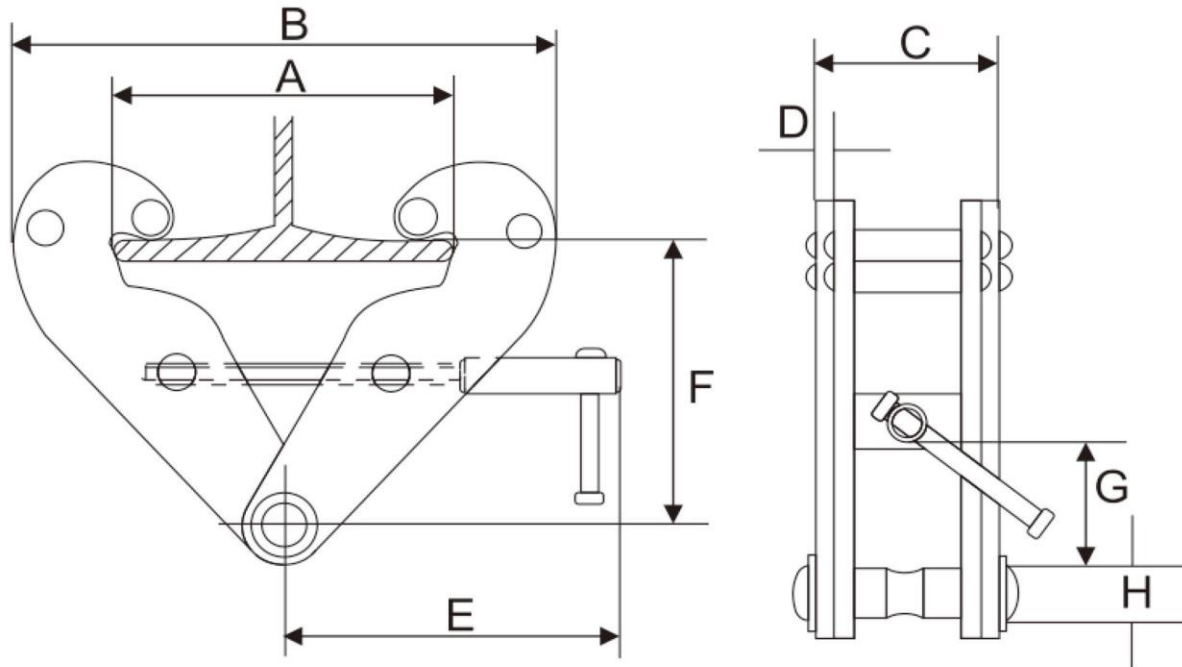
- Meets ASME BTH-1, ASME B30.20 and complies with portions of ASME B30.16 for use with manual and powered hoists
- Design factor minimum of 5:1 per ASME B30.16 requirements
- Lock nut feature resists loosening to improve secure clamping
- Built-in suspension pin for low headroom
- Made in the USA

Applications

- Industrial and construction lifting applications
- Overhead lifting and vertical rigging operations
- Holding and positioning beams for construction



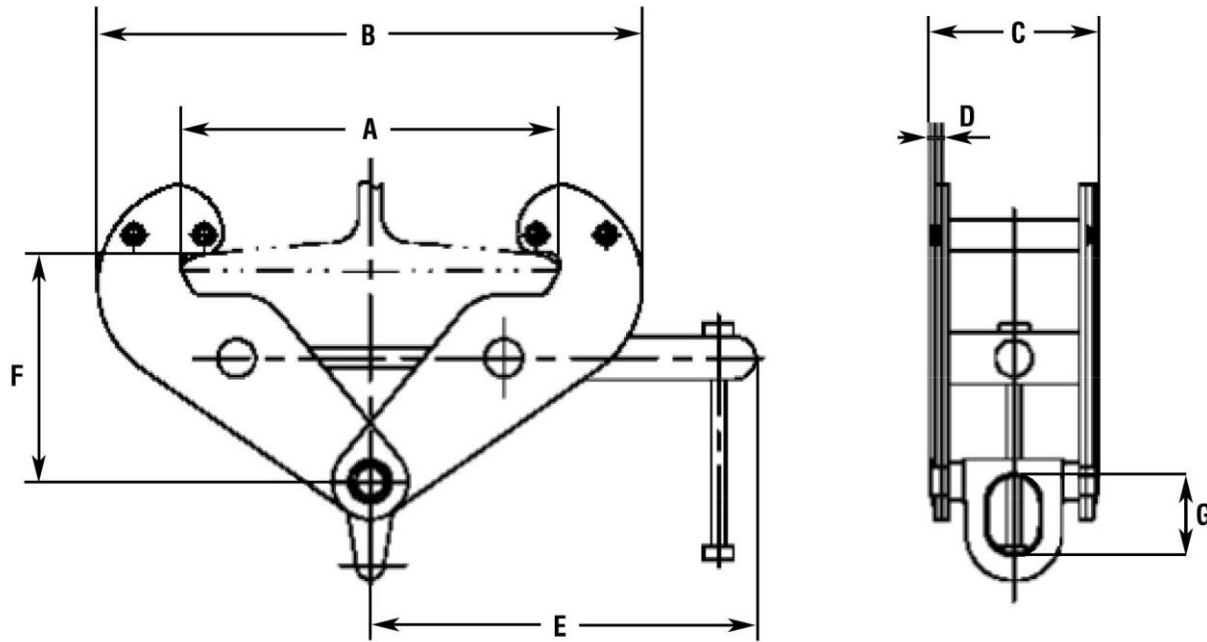
Dimensions & Specifications: Model BC



Model	BC-020	BC-040	BC-060	BC-100	BC-200	
Capacity (Tons)	1	2	3	5	10	
Flange Width (in)	2.9 - 8.6	2.9 - 8.6	3.1 - 12.6	3.1 - 12.6	3.5 - 12.6	
Max. Flange Thickness	7/8	7/8	1 1/2	1 1/2	1 3/4	
Dimensions (in)	Max. A	10.20	10.20	13.90	13.90	14.40
	Min. B	7.10	7.10	9.30	9.30	12.60
	Max. B	14.17	14.17	19.30	19.30	19.88
	C	2.50	2.90	4.00	4.30	4.70
	D	0.20	0.23	0.31	0.39	0.47
	E	8.46	8.46	10.20	10.20	11.00
	Min. F	4.00	4.00	5.50	5.50	6.70
	Max. F	6.10	6.10	8.90	8.90	9.25
	Min. G	1.00	1.00	1.80	1.80	1.90
H	0.87	0.87	0.94	1.10	1.57	
Net Weight (lbs)	9.9	11.0	23.2	24.3	35.3	

Updated: 2013

Dimensions & Specifications: Model BCS



Model	BCS-020	BCS-040	BCS-060	BCS-100	BCS-200	
Capacity (Tons)	1	2	3	5	10	
Flange Width (in)	3.0 - 9.0	3.0 - 9.0	3.1 - 12.6	3.5 - 12.6	3.5 - 12.6	
Max. Flange Thickness	7/8	7/8	1 1/2	1 1/2	1 3/4	
Dimensions (in)	Max. A	11.18	11.18	14.37	14.37	14.09
	Min. B	7.09	7.09	8.66	8.66	9.84
	Max. B	14.76	14.76	19.60	19.60	20.20
	C	3.64	3.96	5.16	5.97	7.09
	D	0.02	0.24	0.31	0.39	0.47
	E	8.50	8.50	11.63	11.63	11.63
	Min. F	5.35	5.35	7.28	7.28	7.28
	Max. F	6.10	6.10	8.86	8.86	9.37
Min. G	1.77	1.77	2.28	2.28	3.54	
Net Weight (lbs)	9.9	12.1	20.9	25.3	41.9	

Updated: 2013