



## Features

- Compact safety-yellow enclosure.
- Two-piece enclosure simplified field wiring.
- Easy to read legend plates.
- Neoprene Booted buttons.
- NEMA 4x Enclosure rating. Degree of protection IP65.
- Range of -15°C to 40°C (5°F to 104°F) operation temperature.
- UL/CSA Listed.
- Contacts rated 5A at 120 VAC.
- 100 gr. shock resistance.
- Indoor or outdoor use.

## General Description

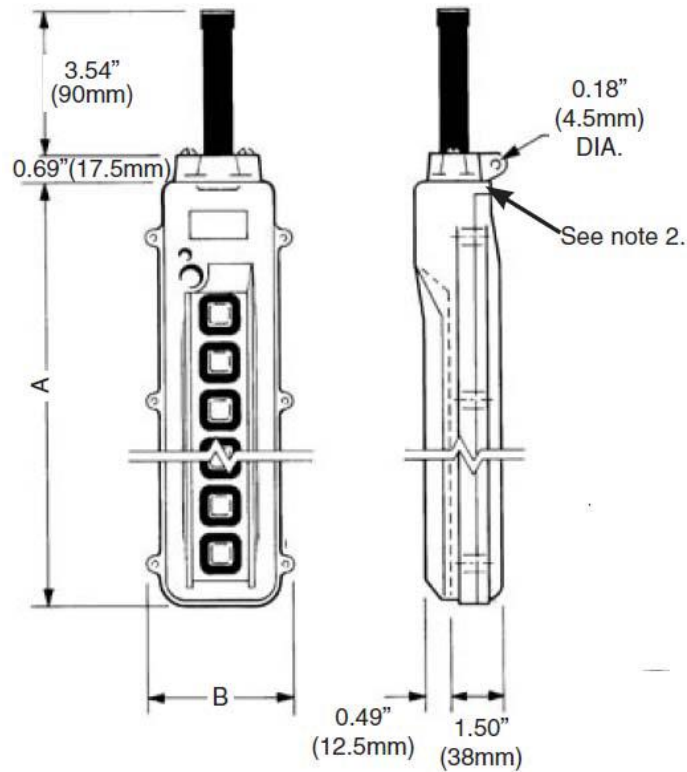
The ACI push button pendant buttons are available to fit in a wide variety of applications... from the simplest one motion hoist to the three-motion cranes with multiple switches and accessories. They may be purchase as complete assemblies with switches and accessories pre-installed, or you may build your own station by purchasing individual components and assembling them yourself.

## Push-Button Pendant Series 100



## Model 100 Series Pendant Push Button Stations

### Dimensions



No of positions	A		B	
	(in)	(mm)	(in)	(mm)
2	4.49	114	3.07	78
4	7.09	180	3.07	78
6	10.31	262	3.23	82
8	12.68	322	3.23	82
10	15.24	387	3.43	87
12	17.60	447	3.43	87
12-24	See note 1			