

PARTS LIST
for

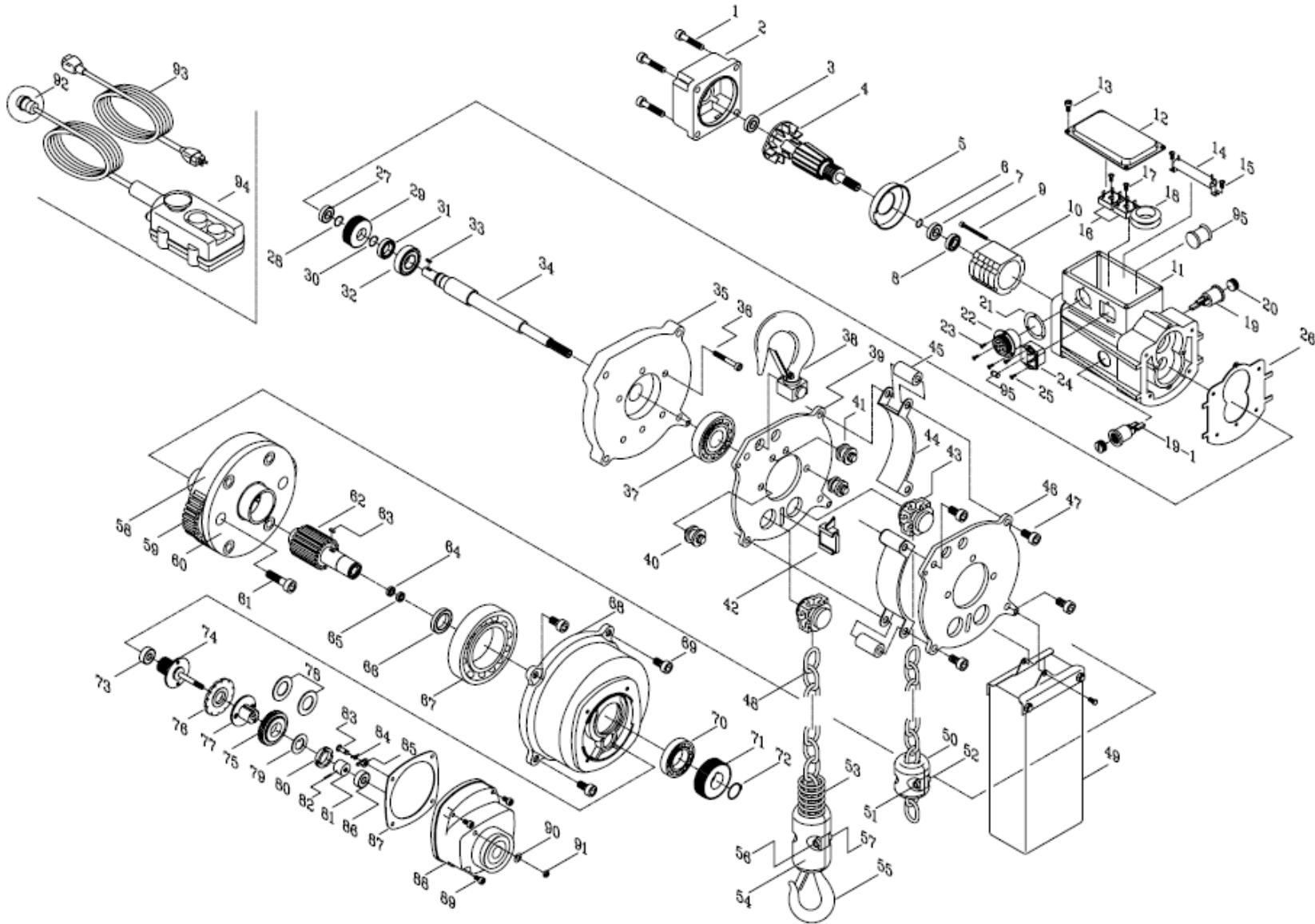


MECHANICS HOIST
(Single Phase | Dual Brake)

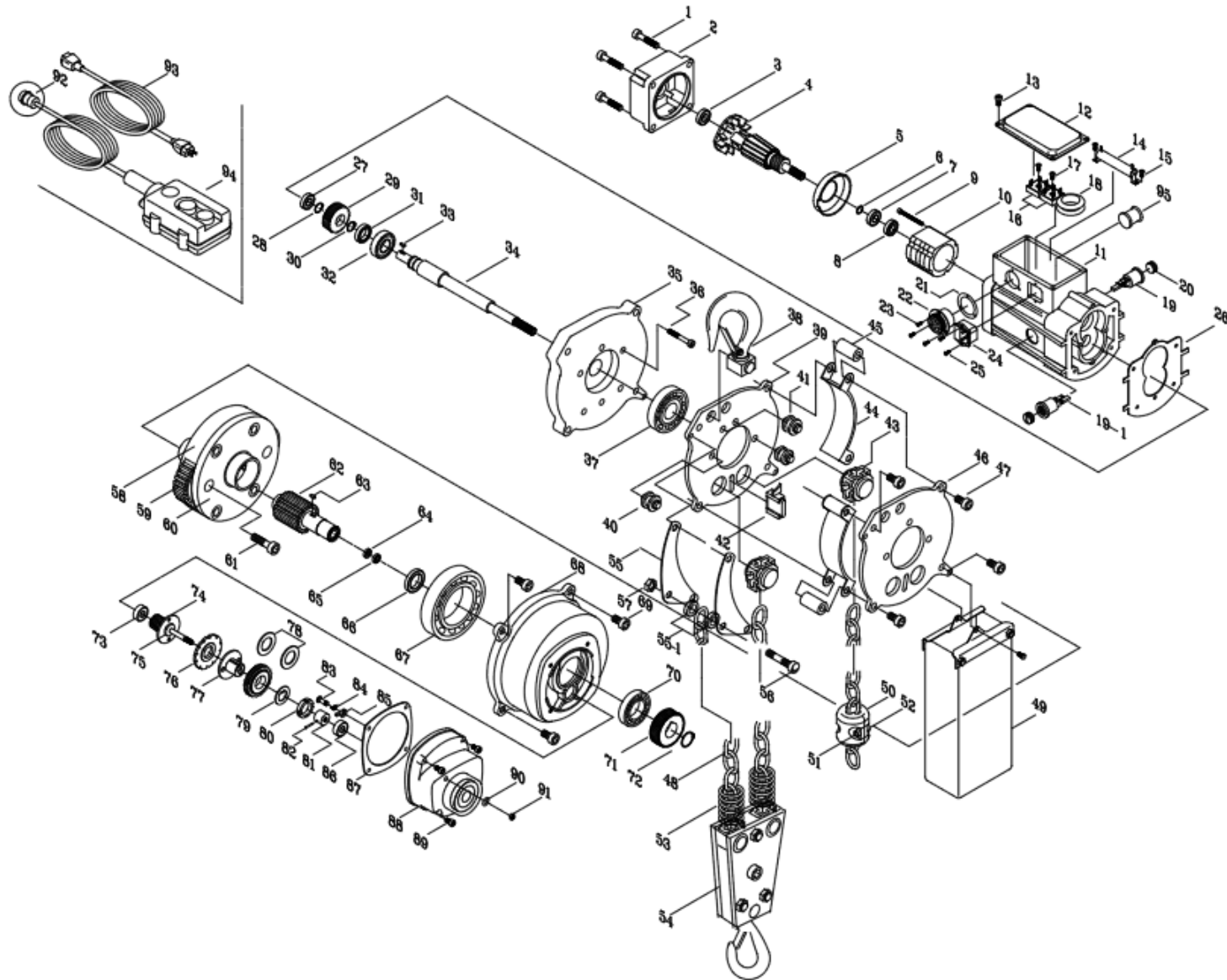
MODEL MH

FOR CUSTOMER SATISFACTION ALWAYS USE FACTORY SPECIFICATION PARTS

Exploded View: MH-005 & MH-010



Exploded View: MH-020



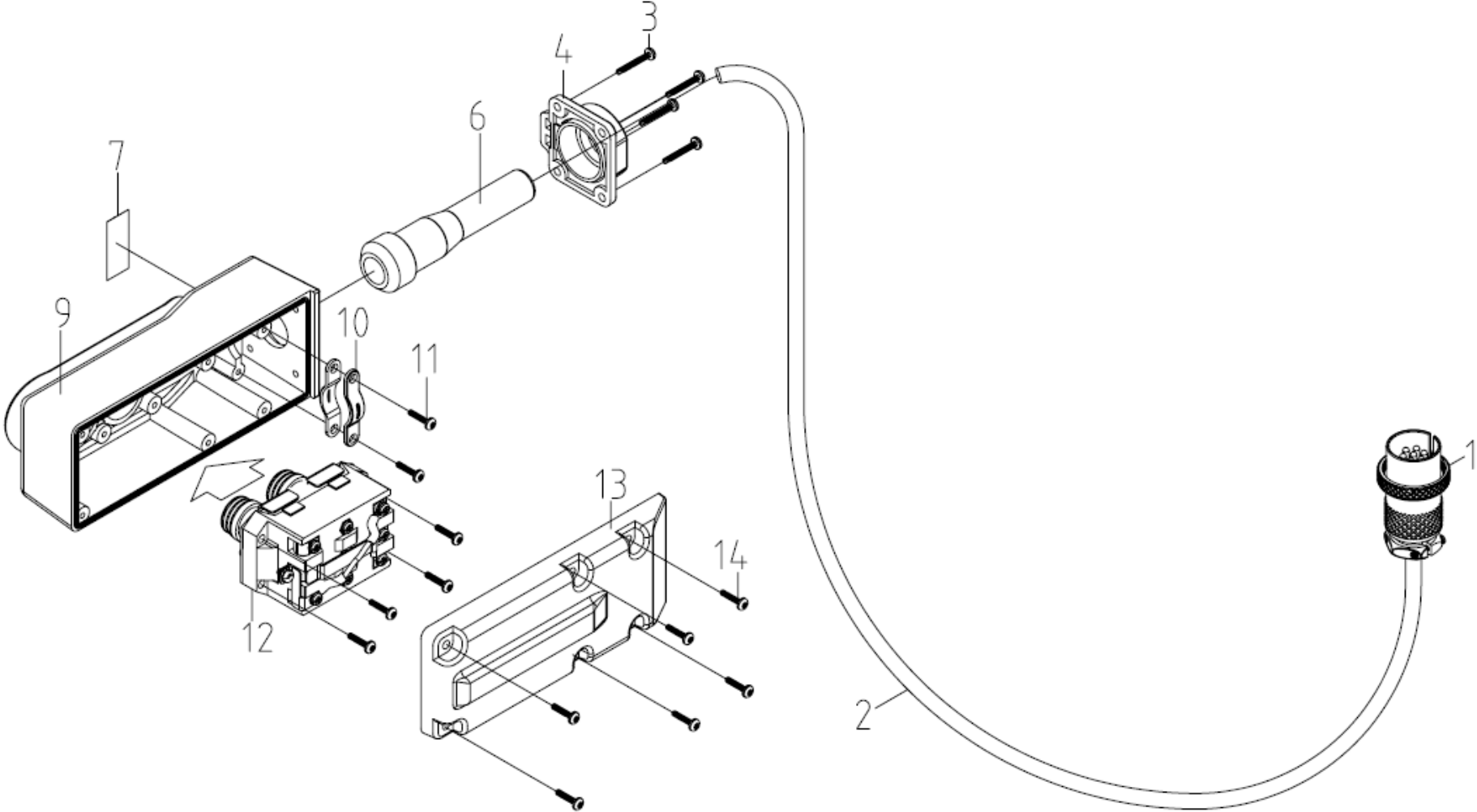
Parts List: MH-005, MH-010, & MH-020

PARTS LIST MODEL MH					
ITEM	PART DESCRIPTION	Model MH-005 / MH-010		Model MH-020	
		Part No.	Qty	Part No.	Qty
1	SCREWS	MH001	4	MH001	4
2	MOTOR COVER	MH002	1	MH002	1
3	BEARING	MH003	1	MH003	1
4	ROTOR	MH004	1	MH004	1
5	AIR GUIDING IRON COVER	MH005	1	MH005	1
6	FIXING SPRING	MH006	1	MH006	1
7	BEARING	MH007	1	MH007	1
8	OIL SEAL	MH008	1	MH008	1
9	SCREWS	MH009	2	MH009	2
10	STATOR	MH010	1	MH010	1
11	MAIN BODY BASE	MH011	1	MH011	1
12	WIRING BOX	MH012	1	MH012	1
13	SCREWS	MH013	4	MH013	4
14	RESISTOR	MH014	1	MH014	1
15	SCREWS	MH015	2	MH015	2
16	BRIDGE TYPE RECTIFIER	MH016	2	MH016	2
17	SCREWS	MH017	2	MH017	2
18	RUBBER BAND	MH018	1	MH018	1
19	BASE OF CARBON BRUSH	MH019	2	MH019	2
19-1	CARBON	MH019-1	2	MH019-1	2
20	CARBON BRUSH COVER	MH020	2	MH020	2
21	RUBBER WASHER	MH021	1	MH021	1
22	CONTROL CABLE SOCKET	MH022	1	MH022	1
23	SCREWS	MH023	3	MH023	3
24	POWER SUPPLY INPUT TERM	MH024	1	MH024	1
25	SCREWS	MH025	2	MH025	2
26	INSULATED SHEET	MH026	1	MH026	1
27	BEARING	MH027	1	MH027	1
28	FIXING SPRING	MH028	1	MH028	1
29	FIRST SECTION GEAR	MH029	1	MH029	1
30	FIXING SPRING	MH030	1	MH030	1
31	BEARING	MH031	1	MH031	1
32	BEARING	MH032	1	MH032	1
33	KEY	MH033	1	MH033	1
34	FIRST SECTION GEAR SHAFT	MH034	1	MH034	1
35	GEAR COVER	MH035	1	MH035	1
36	SCREWS	MH036	6	MH036	6

37	BEARING	MH037	1	MH037	1
38	UPPER HOOK	MH038	1	MH038	1
39	LEFT MAIN BODY SHEET	MH039	1	MH039	1
40	CHAIN GUIDING WHEEL	MH040	2	MH040	2
41	UPPER CHAIN GUIDING WHEEL	MH041	2	MH041	2
42	CHAIN PAWL DEVICE	MH042	1	MH042	1
43	CHAIN GUIDER	MH043	2	MH043	2
44	MAIN BODY COVER	MH044	2	MH044	2
45	FIXING ROD OF MAIN BODY	MH045	4	MH045	4
46	RIGHT MAIN BODY SHEET	MH046	1	MH046	1
47	SCREWS	MH047	2	MH047	2
48	CHAIN	MH048	1	MH048	1
49	CHAIN BAG	MH049	1	MH049	1
50	CHAIN STOPPING BLOCK	MH050	1	MH050	1
51	SCREWS	MH051	2	MH051	2
52	NUTS, WASHER	MH052	2	MH052	2
53	CHAIN GUIDE SPRING	MH053	1	MH053	1
54	LOWER HOOK SUSPENSION	MH054A	1	MH054B	1
55	LOWER HOOK	MH055A	1	MH055B	1
56	SCREWS	MH056	2	MH056	1
57	NUTS, WASHER	MH057	2	MH057	1
58	CHAIN GUIDE	MH058	1	MH058	1
59	GEAR SHAFT	MH059	2	MH059	2
60	GEAR SHAFT BASE	MH060	1	MH060	1
61	SCREWS	MH061	4	MH061	4
62	THIRD SECTION OF GEAR SHAFT	MH062	1	MH062	1
63	KEY	MH063	1	MH063	1
64	OIL SEAL	MH064	1	MH064	1
65	BEARING	MH065	1	MH065	1
66	OIL SEAL	MH066	1	MH066	1
67	BEARING	MH067	1	MH067	1
68	GEAR REDUCTION BOX	MH068	1	MH068	1
69	SCREWS	MH069	4	MH069	4
70	BEARING	MH070	1	MH070	1
71	THIRD SECTION GEAR	MH071	1	MH071	1
72	FIXING SPRING	MH072	1	MH072	1
73	BEARING	MH073	1	MH073	1
74	THIRD SECTION GEAR SHAFT	MH074	1	MH074	1
75	KEYLESS GEAR	MH075	1	MH075	1
76	PAWL BRAKE LINING	MH076	1	MH076	1
77	BRAKE DEPRESSOR (LOWER)	MH077	1	MH077	1
78	PRESS DISK TYPE SPRING	MH078	2	MH078	2
79	NUTS FIXING SHEET	MH079	1	MH079	1

80	TORQUE LIMITED NUTS	MH080	1	MH080	1
81	BRAKE DEPRESSOR (UPPER)	MH081	1	MH081	1
82	FIXING PIN	MH082	1	MH082	1
83	CLICK FIXING BOLT	MH083	1	MH083	1
84	CLICK SPRING	MH084	1	MH084	1
85	CLICK	MH085	1	MH085	1
86	PRESS DISK TYPE SPRING	MH086	1	MH086	1
87	PACKING	MH087	1	MH087	1
88	FIRST LAYER GEAR BOX	MH088	1	MH088	1
89	SCREWS	MH089	4	MH089	4
90	WASHER	MH090	1	MH090	1
91	NUTS	MH091	1	MH091	1
92	CONTROL PLUG	MH092	1	MH092	1
93	POWER CABLE SET	MH093	1	MH093	1
94	CABLE SET OF CONTROL SWITCH	MH094	1	MH094	1
95	FUSE	MH095	1	MH095	1

Exploded View: MH Pendant



Parts List: MH Pendant

PARTS LIST FOR PENDANT			
ITEM NO.	PART DESCRIPTION	PART NO.	QTY
1	CONNECTOR	PBS-1PH-1	1
2	SWITCH CABLE	PBS-1PH-2	1
3	SCREWS	PBS-1PH-3	4
4	PLASTIC COVER	PBS-1PH-4	1
6	TUBE	PBS-1PH-6	1
7	STICKER	PBS-1PH-7	1
9	PLASTIC COVER	PBS-1PH-9	1
10	SCREWS	PBS-1PH-10	2
11	SCREWS	PBS-1PH-11	2
12	INTERIOR CONNECTOR	PBS-1PH-12	1
13	PLASTIC COVER	PBS-1PH-13	1
14	SCREWS	PBS-1PH-14	6