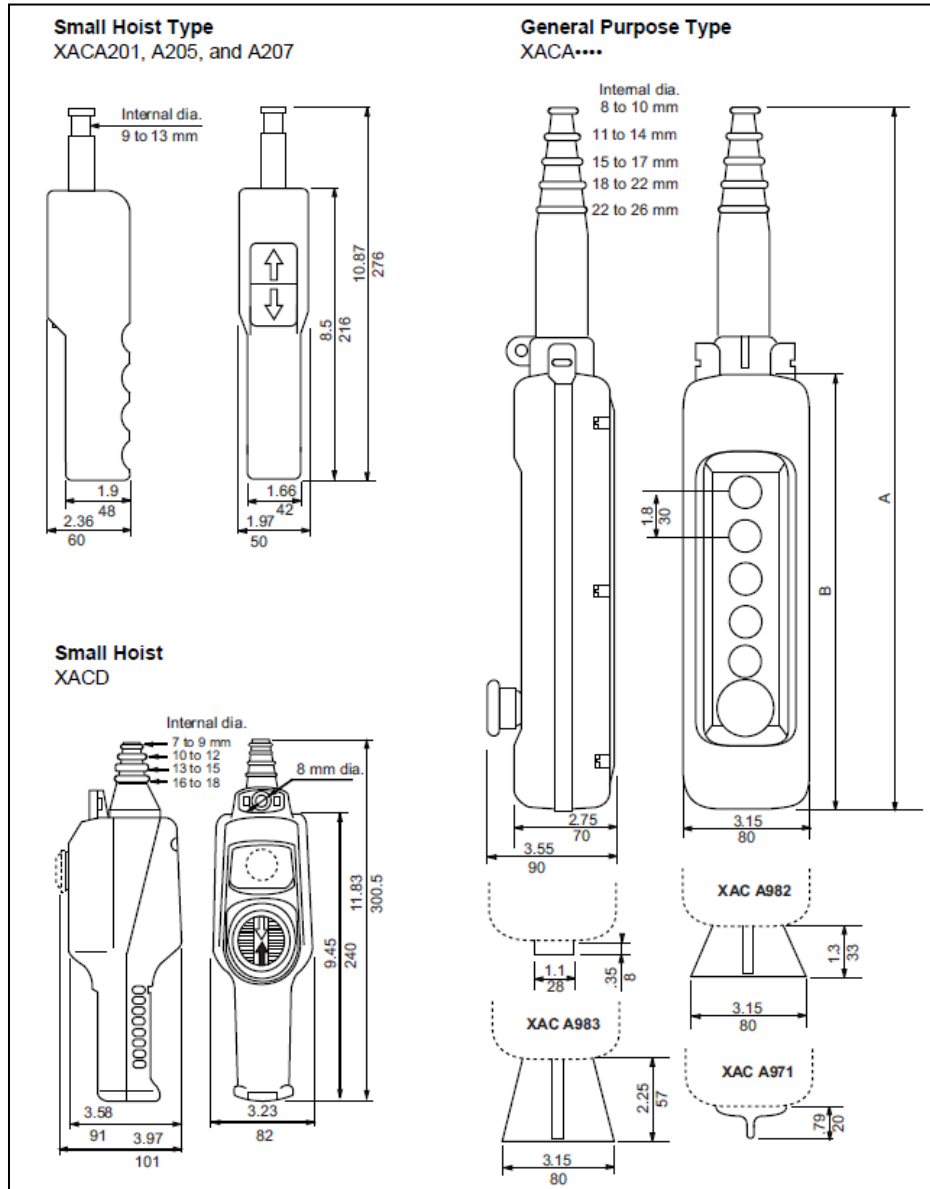


DIMENSIONS & SPECIFICATIONS: T-SERIES PENDANTS



Dimension	Number of Holes (in)					
	2	3	4	6	8	12
A	15	15	17.33	19.7	22.1	26.78
B	7.5	7.5	9.85	12.2	14.57	19.3