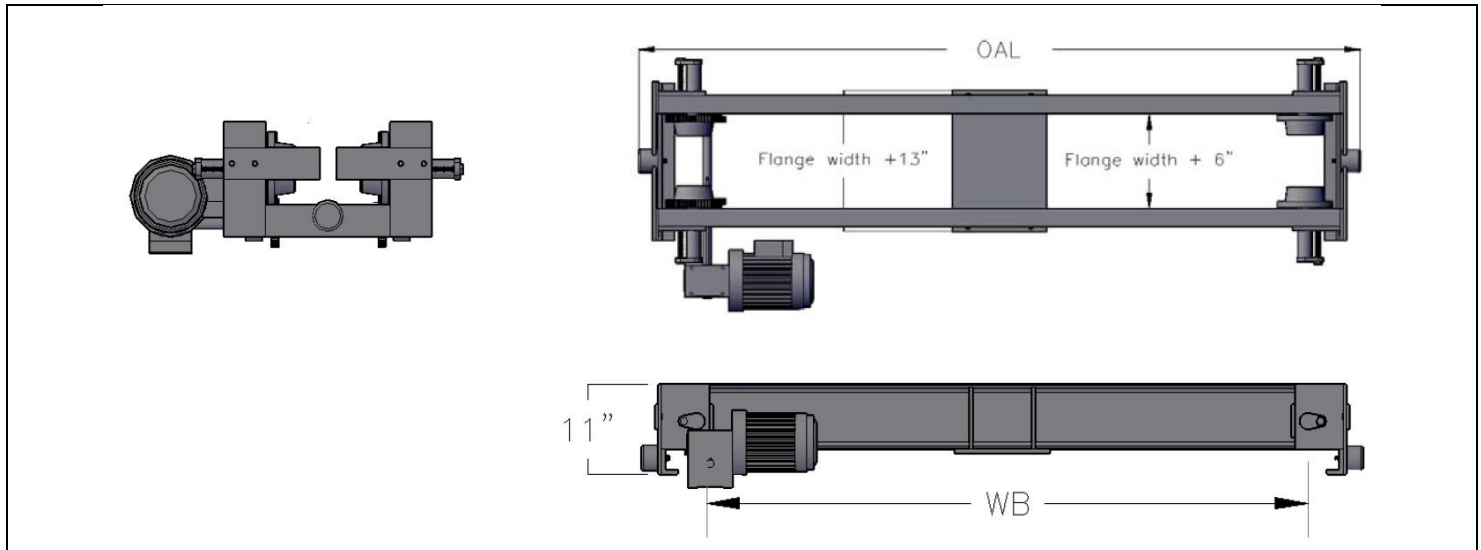


# UNDER-RUNNING END TRUCKS



## UNDER-RUNNING MOTORIZED END TRUCK DIMENSIONS



Model	Capacity	Wheel Ø	Max Span	Wheel Base (WB)	Overall Length (OAL)
MEUS05036S10	3 Tons	5"	24'	36"	50"
MEUS05036F10					
MEUS05042S10			28'	42"	56"
MEUS05042F10					
MEUS05048S10			32'	48"	62"
MEUS05048F10					
MEUS05060S10			40'	60"	74"
MEUS05060F10					
MEUS05072S10			48'	72"	86"
MEUS05072F10					
MEUS05090S10	5 Tons	5"	60'	90"	104"
MEUS05090F10					
MEUS06036S10			24'	36"	50"
MEUS06036F10					
MEUS06042S10			28'	42"	56"
MEUS06042F10					
MEUS06048S10			32'	48"	62"
MEUS06048F10					
MEUS06060S10			40'	60"	74"
MEUS06060F10					
MEUS06072S10	48'	72"	86"		
MEUS06072F10					
MEUS06090S10	60'	90"	104"		
MEUS06090F10					

### UNDER-RUNNING END TRUCKS

Models MEUS, MEUD

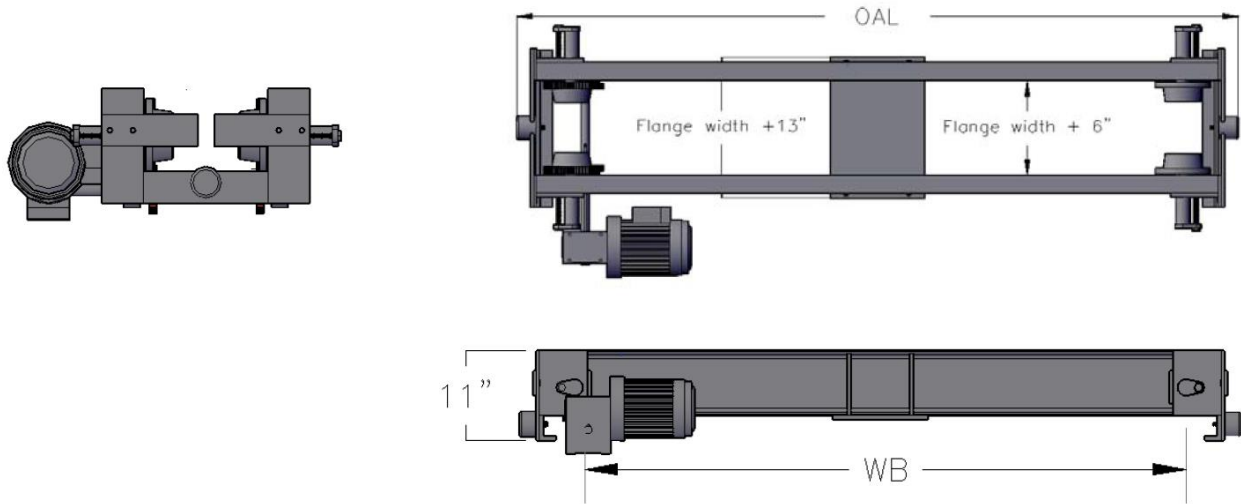
MEUS-0815

ACI Hoist & Crane | 2721 NE 4<sup>th</sup> Ave Pompano Beach, FL 33064 | 954.367.6116



Scan QR Code with  
SmartPhone for full details

## UNDER-RUNNING HAND-PUSHED END TRUCK DIMENSIONS



Model	Capacity	Wheel Ø	Max Span	Wheel Base (WB)	Overall Length (OAL)
MEUS05036P00	3 Tons	5"	24'	36"	50"
MEUS05042P00			28'	42"	56"
MEUS05048P00			32'	48"	62"
MEUS05060P00			40'	60"	74"
MEUS05072P00			48'	72"	86"
MEUS05090P00			60'	90"	104"
MEUS06036P00	5 Tons		24'	36"	50"
MEUS06042P00			28'	42"	56"
MEUS06048P00			32'	48"	62"
MEUS06060P00			40'	60"	74"
MEUS06072P00			48'	72"	86"
MEUS06090P00			60'	90"	104"

### UNDER-RUNNING END TRUCKS

Models MEUS, MEUD

MEUS-0815

ACI Hoist & Crane | 2721 NE 4th Ave Pompano Beach, FL 33064 | 954.367.6116

## UNDER-RUNNING MOTORIZED END TRUCK SPECIFICATIONS

Model	Capacity	Wheel Ø	FPM	HP	240V Amps	460V Amps					
MEUS05036S10	3 Tons	5"	70	2 x 1.0	2 x 3.2	2 x 1.6					
MEUS05036F10			140								
MEUS05042S10			70								
MEUS05042F10			140								
MEUS05048S10			70								
MEUS05048F10			140								
MEUS05060S10			70								
MEUS05060F10			140								
MEUS05072S10			70								
MEUS05072F10			140								
MEUS05090S10			70								
MEUS05090F10			140								
MEUS06036S10			5 Tons				5"	70	2 x 1.0	2 x 3.2	2 x 1.6
MEUS06036F10								140			
MEUS06042S10	70										
MEUS06042F10	140										
MEUS06048S10	70										
MEUS06048F10	140										
MEUS06060S10	70										
MEUS06060F10	140										
MEUS06072S10	70										
MEUS06072F10	140										
MEUS06090S10	70										
MEUS06090F10	140										