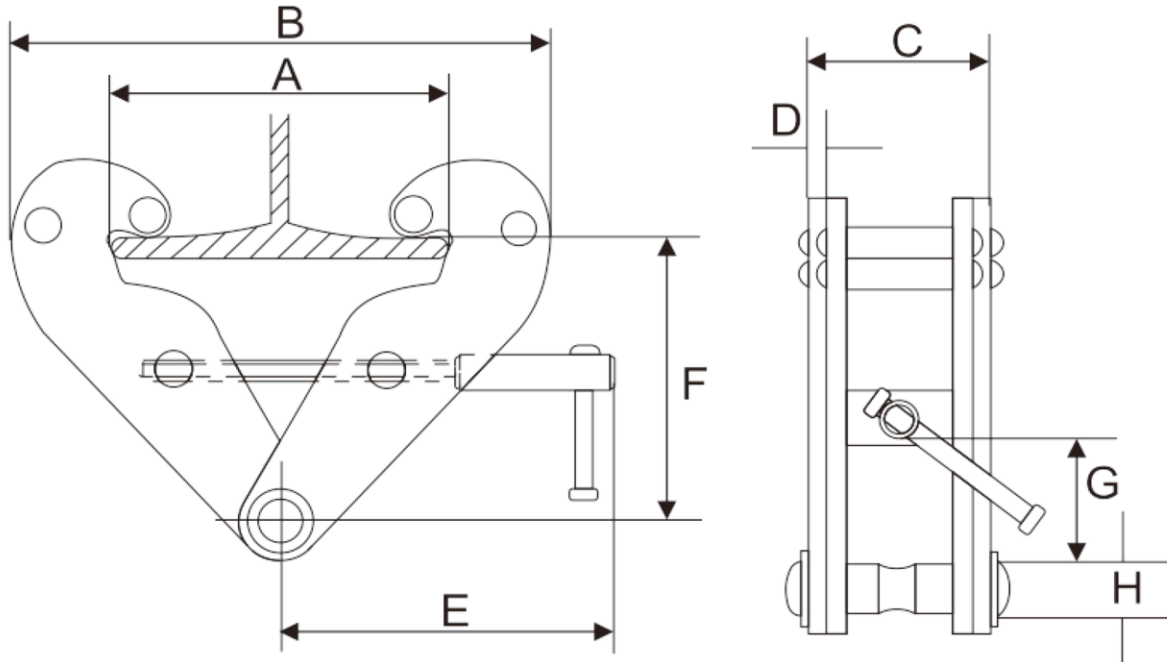


DIMENSIONS & SPECIFICATIONS: MODEL BC



Model	BC-020	BC-040	BC-060	BC-100	BC-200	
Capacity (Tons)	1	2	3	5	10	
Flange Width (in)	2.9 - 8.6	2.9 - 8.6	3.1 - 12.6	3.1 - 12.6	3.5 - 12.6	
Max. Flange Thickness	7/8	7/8	1 1/2	1 1/2	1 3/4	
Dimensions (in)	Max. A	10.20	10.20	13.90	13.90	14.40
	Min. B	7.10	7.10	9.30	9.30	12.60
	Max. B	14.17	14.17	19.30	19.30	19.88
	C	2.50	2.90	4.00	4.30	4.70
	D	0.20	0.23	0.31	0.39	0.47
	E	8.46	8.46	10.20	10.20	11.00
	Min. F	4.00	4.00	5.50	5.50	6.70
	Max. F	6.10	6.10	8.90	8.90	9.25
	Min. G	1.00	1.00	1.80	1.80	1.90
H	0.87	0.87	0.94	1.10	1.57	
Net Weight (lbs)	9.9	11.0	23.2	24.3	35.3	

Updated: 2013