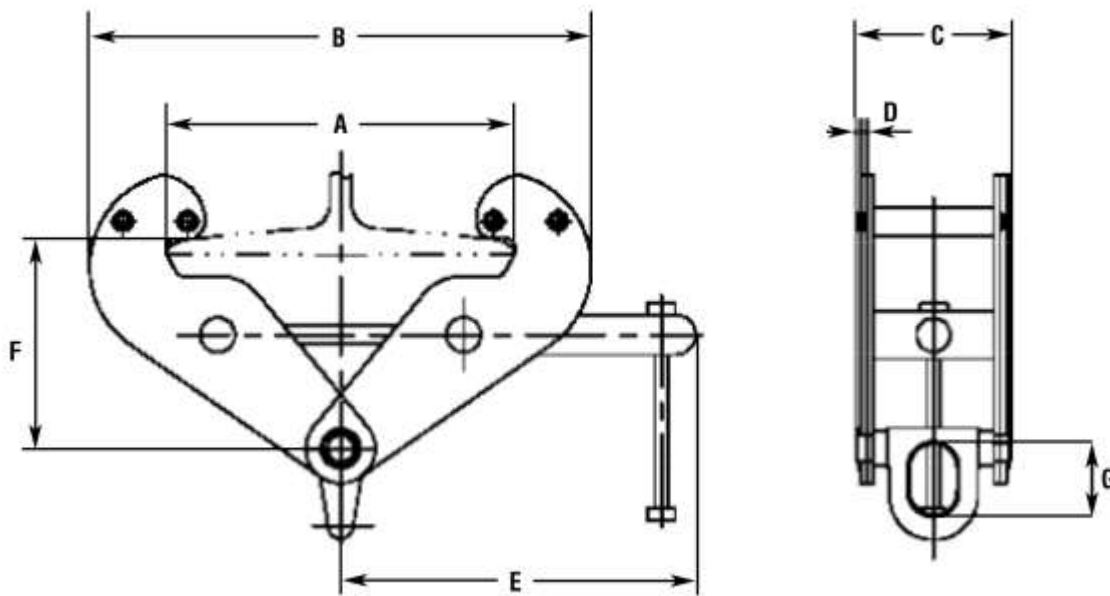


DIMENSIONS & SPECIFICATIONS: MODEL BCS



Model	BCS-020	BCS-040	BCS-060	BCS-100	BCS-200	
Capacity (Tons)	1	2	3	5	10	
Flange Width (in)	3.0 - 9.0	3.0 - 9.0	3.1 - 12.6	3.5 - 12.6	3.5 - 12.6	
Max. Flange Thickness	7/8	7/8	1 1/2	1 1/2	1 3/4	
Dimensions (in)	Max. A	11.18	11.18	14.37	14.37	14.09
	Min. B	7.09	7.09	8.66	8.66	9.84
	Max. B	14.76	14.76	19.60	19.60	20.20
	C	3.64	3.96	5.16	5.97	7.09
	D	0.02	0.24	0.31	0.39	0.47
	E	8.50	8.50	11.63	11.63	11.63
	Min. F	5.35	5.35	7.28	7.28	7.28
	Max. F	6.10	6.10	8.86	8.86	9.37
Min. G	1.77	1.77	2.28	2.28	3.54	
Net Weight (lbs)	9.9	12.1	20.9	25.3	41.9	

Updated: 2013