

## OPERATION MANUAL

This operation manual is intended as an instruction manual for trained personnel who are in charge of installation, maintenance, repair etc.



Before equipment use, please read this operation manual carefully.

Serial Number: \_\_\_\_\_

Date Purchased: \_\_\_\_\_

# TABLE OF CONTENTS

|  |                              |
|--|------------------------------|
| 1.0 Warranty .....                               | Error! Bookmark not defined. |
| 2.0 General Information .....                    | Error! Bookmark not defined. |
| 3.0 Clamp Construction .....                     | Error! Bookmark not defined. |
| 4.0 Precautions While Operating .....            | Error! Bookmark not defined. |
| 5.0 Inspection & Maintenance .....               | Error! Bookmark not defined. |
| 6.0 Dimensions & Specifications: Model HLC ..... | Error! Bookmark not defined. |
| 7.0 Exploded View & Parts List: Model HLC.....   | Error! Bookmark not defined. |

# 1.0 WARRANTY

Every clamp is thoroughly inspected and tested before it is shipped from the factory. If any problem develops within one year, return the clamp prepaid to the factory. If an inspection reveals that the problem is caused by defective workmanship or material, repairs will be made without charge and the clamp will be returned with the shipping prepaid.

## **Excluded Items**

This warranty does not cover:

- Deterioration caused by normal wear, abuse, chemical or abrasive actions, improper maintenance or excessive heat.
- Problems resulting from repairs, modifications, or alterations made by people other than factory or ACI representatives.
- If the clamp has been abused or damaged due to an accident.
- If repair parts or accessories other than ACI equipment are used on the clamp; they are warranted only to the extent that they are warranted by the manufacturer of said parts or accessories.

## **Remarks**

EXCEPT AS STATED HERE, ACI MAKES NO OTHER WARRANTIES, EXPRESS OR IMPLIED, INCLUDING WARRANTIES FOR A PARTICULAR PURPOSE.



Alterations or modifications of equipment and use of non-factory repair parts can lead to dangerous operation and injury.

To avoid injury:

**DO NOT** alter or modify equipment.

**DO NOT** use equipment to lift, support or otherwise transport people.

**DO NOT** suspend unattended loads over people.

## 2.0 GENERAL INFORMATION

This document provides general information and maintenance information on ACI clamps. Operators and persons maintaining the clamps should be familiar with this manual. Following the precautions, procedures, and maintenance practices in this manual should ensure long and reliable operation.

People responsible for the installation operation, and or maintenance of the clamp equipment should be familiar with the American National Standard ANSI B30.20 for guidelines on the safe operation of trolleys. That document contains rules on inspection requirements and records that may be required by some of the regulatory agencies.

## 3.0 CLAMP CONSTRUCTION

The clamps are designed for a lifting plate. Before installing, make sure that the load doesn't exceed the rated capacity of the clamp. The clamp should always be stored indoors. Never leave clamps exposed to the elements.

## 4.0 PRECAUTIONS WHILE OPERATING

### Preparation For Use

Clamps used for different application should be stored in separate places. Extra care must be taken when lifting plates less than 20% of the rated jaw capacity.

### Warnings

- Inspect clamps before use.
- Do not suspend loads over people.
- Do not overload.
- Do not move unbalanced load.

**\* To avoid injury and/or property damage, the clamp(s) should be inspected periodically.**

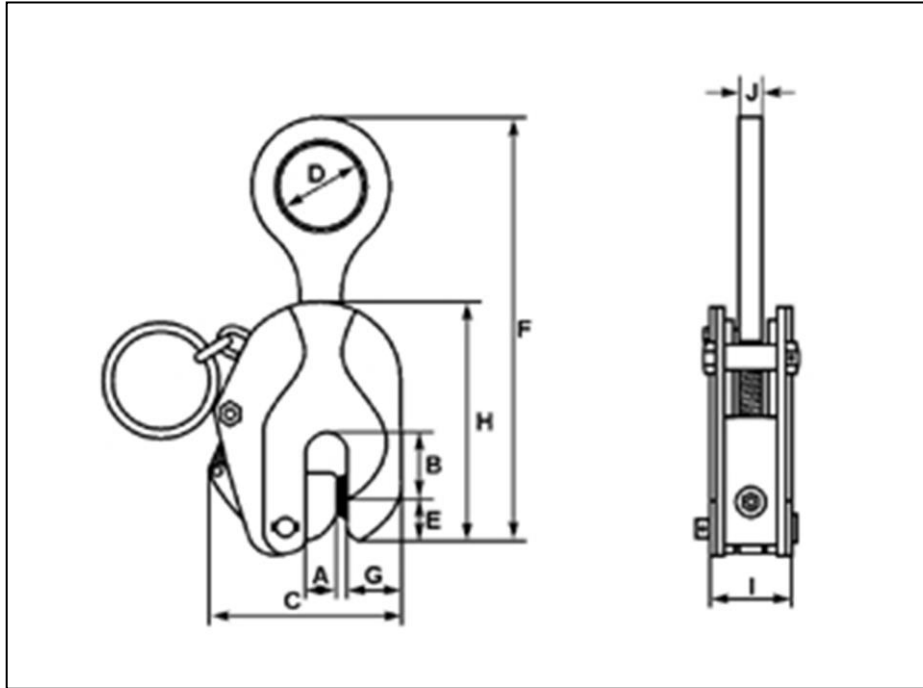
## 5.0 INSPECTION & MAINTENANCE

The clamps must be inspected periodically for wear and cracks on the welded area. The clamp(s) should be inspected once a week. The clamp(s) should be visually inspected for the following conditions:

- Wear on cam, swivel jaw, and other parts.
- Condition of the opening.
- Loose or worn nuts and bolts.

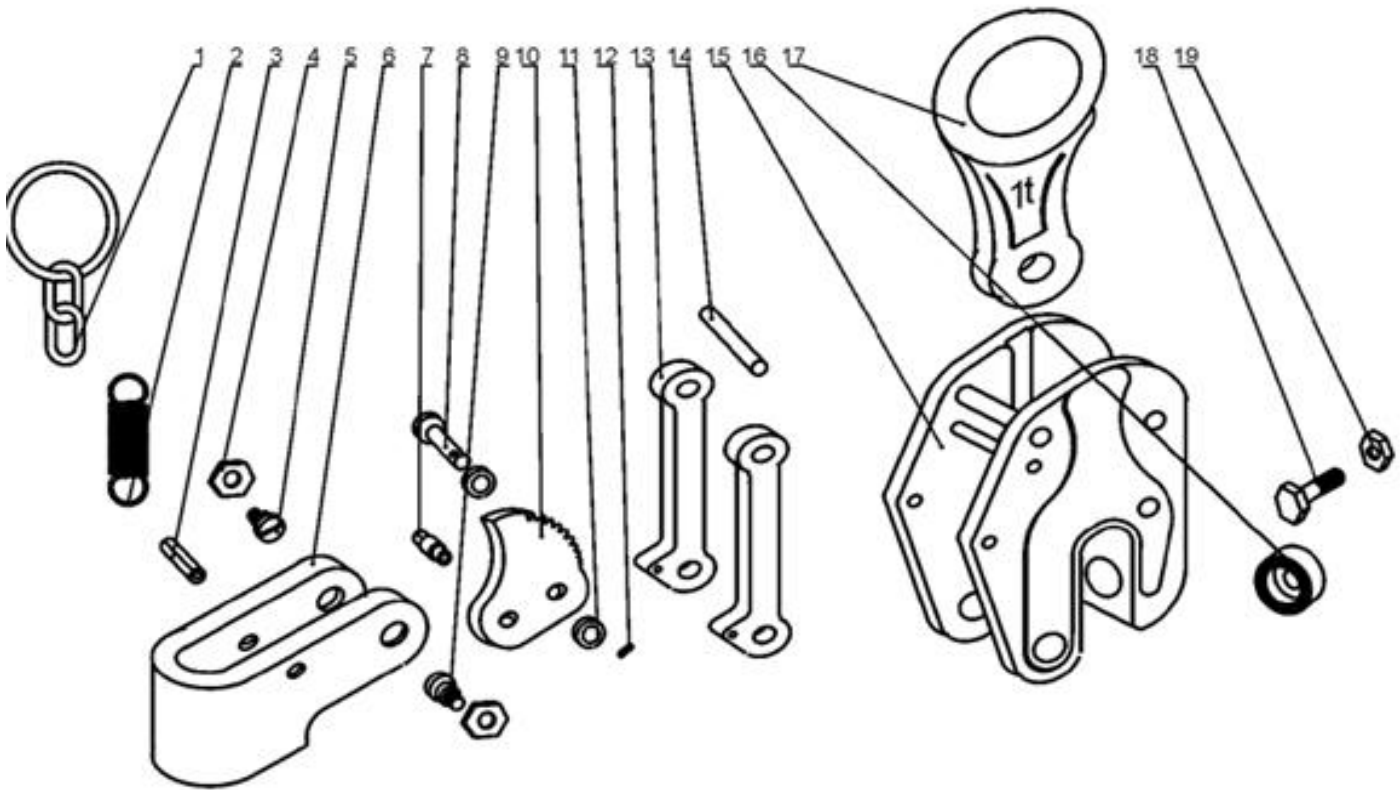
Clamps that you stop using for safety reasons should be clearly marked as defective and stored separately.

## 6.0 DIMENSIONS & SPECIFICATIONS: MODEL VLC



| Model Number            | VLC-020 | VLC-040    | VLC-060    | VLC-100     |             |
|-------------------------|---------|------------|------------|-------------|-------------|
| Lifting Capacity (tons) | 1       | 2          | 3          | 5           |             |
| Jaw Opening (in.)       | 0 – 0.9 | 0 – 1.2    | 0 – 1.4    | 0 – 2       |             |
| Dimensions (in.)        | A       | 0.9        | 1.4        | 1.6         | 2           |
|                         | B       | 1.4        | 1.8        | 2           | 2.3         |
|                         | C       | 4.9        | 6.1        | 6.9         | 8.6         |
|                         | D       | 2          | 2.4        | 2.4         | 2.6         |
|                         | E       | 0.9        | 1.2        | 1.4         | 1.6         |
|                         | F       | 8.7 – 10.2 | 9.8 – 11.6 | 11.7 – 14.1 | 13.9 – 16.5 |
|                         | G       | 1.2        | 1.5        | 1.6         | 2.4         |
|                         | H       | 6.1        | 7.5        | 8.9         | 10.6        |
|                         | I       | 2          | 2.4        | 2.7         | 3           |
|                         | J       | 0.6        | 0.7        | 0.8         | 0.9         |
| Net Weight (lbs.)       | 7.9     | 13.2       | 20.3       | 36.4        |             |

## 7.0 EXPLODED VIEW & PARTS LIST: MODEL VLC



| Vertical Lifting Clamp |                         |
|------------------------|-------------------------|
| #                      | Part Name/Description   |
| 1                      | Pulling Ring            |
| 2                      | Safety Latch            |
| 3                      | Spring Pin              |
| 4                      | Nut                     |
| 5                      | Bolt                    |
| 6                      | Safety Latch            |
| 7                      | Link Pin                |
| 8                      | Jaw Shaft               |
| 9                      | Bolt                    |
| 10                     | Jaw                     |
| 11                     | Washer                  |
| 12                     | Spring Pin              |
| 13                     | Link Shoulder           |
| 14                     | Shaft for Link Shoulder |
| 15                     | Plate Assembly          |
| 16                     | Jaw Holder              |
| 17                     | Lift Ring               |
| 18                     | Bolt                    |
| 19                     | Nut                     |

### Vertical Lifting Clamps

Model VLC

VLC-0214

689 SW 7<sup>th</sup> Terrace, Dania Beach, FL 33004 | (954) 367-6116

**PAGE: 6**

Visit [WWW.ACIHOIST.COM](http://WWW.ACIHOIST.COM) for the most current information