

OPERATION MANUAL

This operation manual is intended as an instruction manual for trained personnel who are in charge of installation, maintenance, repair, etc.



Before equipment use, please read this operation manual carefully.

Serial Number: _____

Date Purchased: _____

TABLE OF CONTENTS

1.0 Warranty 3

2.0 General Information 4

3.0 Instructions for the Safe Use of Beam Clamps 4

4.0 Dimensions & Specifications: Model BC..... 5

5.0 Exploded View & Parts List: Model BC..... 6

1.0 WARRANTY

Every clamp is thoroughly inspected and tested before it is shipped from the factory. If any problem develops within one year, return the clamp prepaid to the factory. If an inspection reveals that the problem is caused by defective workmanship or material, repairs will be made without charge and the clamp will be returned with the shipping prepaid.

Excluded Items

This warranty does not cover:

- Deterioration caused by normal wear, abuse, chemical or abrasive actions, improper maintenance or excessive heat.
- Problems resulting from repairs, modifications, or alterations made by people other than factory or ACI representatives.
- If the clamp has been abused or damaged due to an accident.
- If repair parts or accessories other than ACI equipment are used on the clamp; they are warranted only to the extent that they are warranted by the manufacturer of said parts or accessories.

Remarks

EXCEPT AS STATED HERE, ACI MAKES NO OTHER WARRANTIES, EXPRESS OR IMPLIED, INCLUDING WARRANTIES FOR A PARTICULAR PURPOSE.



Alterations or modifications of equipment and use of non-factory repair parts can lead to dangerous operation and injury.

To avoid injury:

DO NOT alter or modify equipment.

DO NOT use equipment to lift, support or otherwise transport people.

DO NOT suspend unattended loads over people.

2.0 GENERAL INFORMATION

This document provides general information and maintenance information on ACI clamps. Operators and persons maintaining the clamps should be familiar with this manual. Following the precautions, procedures and maintenance practices in this manual should ensure long and reliable operation.

People responsible for the installation operation, and or maintenance of the clamp equipment should be familiar with the American National Standard ANSI B30.20 for guidelines on the safe operation of trolleys. That document contains rules on inspection requirements and records that may be required by some of the regulatory agencies.

3.0 INSTRUCTIONS FOR THE SAFE USE OF BEAM CLAMPS

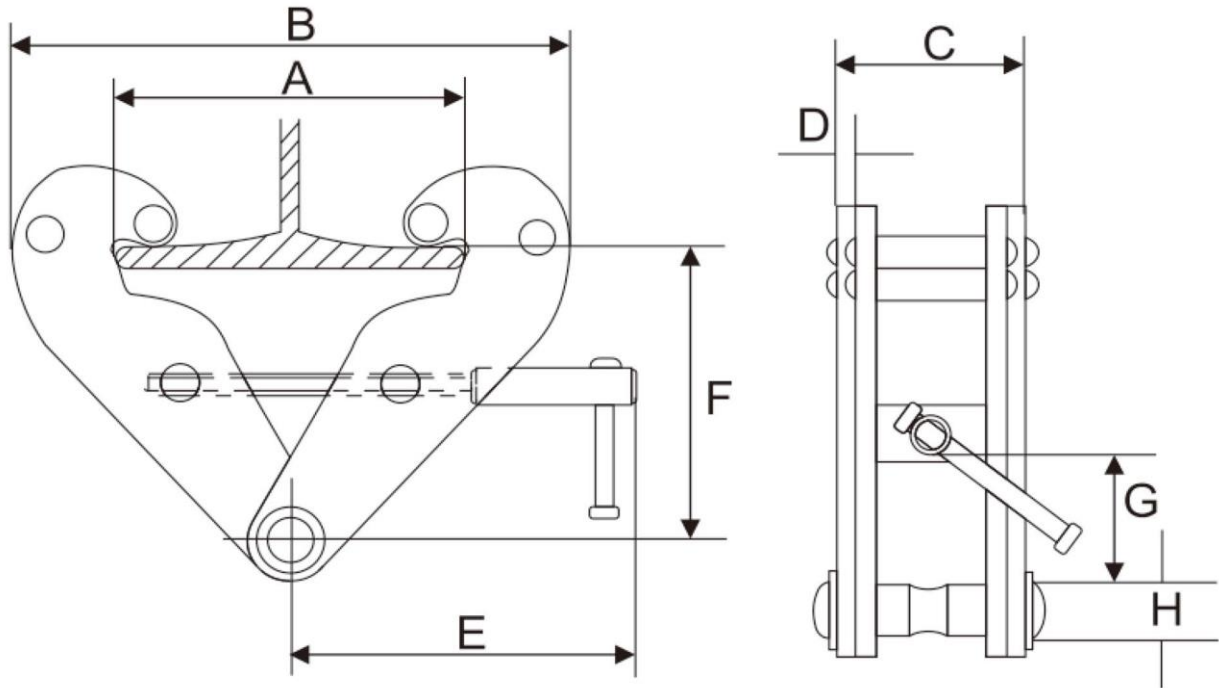
Using Beam Clamps Safely

- Ensure that the beam clamp is of the correct capacity for the load being lifted and that the beam will not be damaged by localised overloading.
- Ensure that the clamp is fitted correctly over the centre of gravity of the item being lifted and will not be subjected to side loading.
- Before lifting a load ensure that the clamp has been tightened and that the lifting appliance is fitted correctly into the eye of the clamp.

In-service inspection and maintenance

- Ensure that beam clamps are kept clean and moving parts are lubricated.
- Regularly inspect beam clamps for wear, damage, distortion, cracks and any defects likely to cause a danger.
- If any of the above defects are found, remove the beam clamp from service and refer to a competent person.

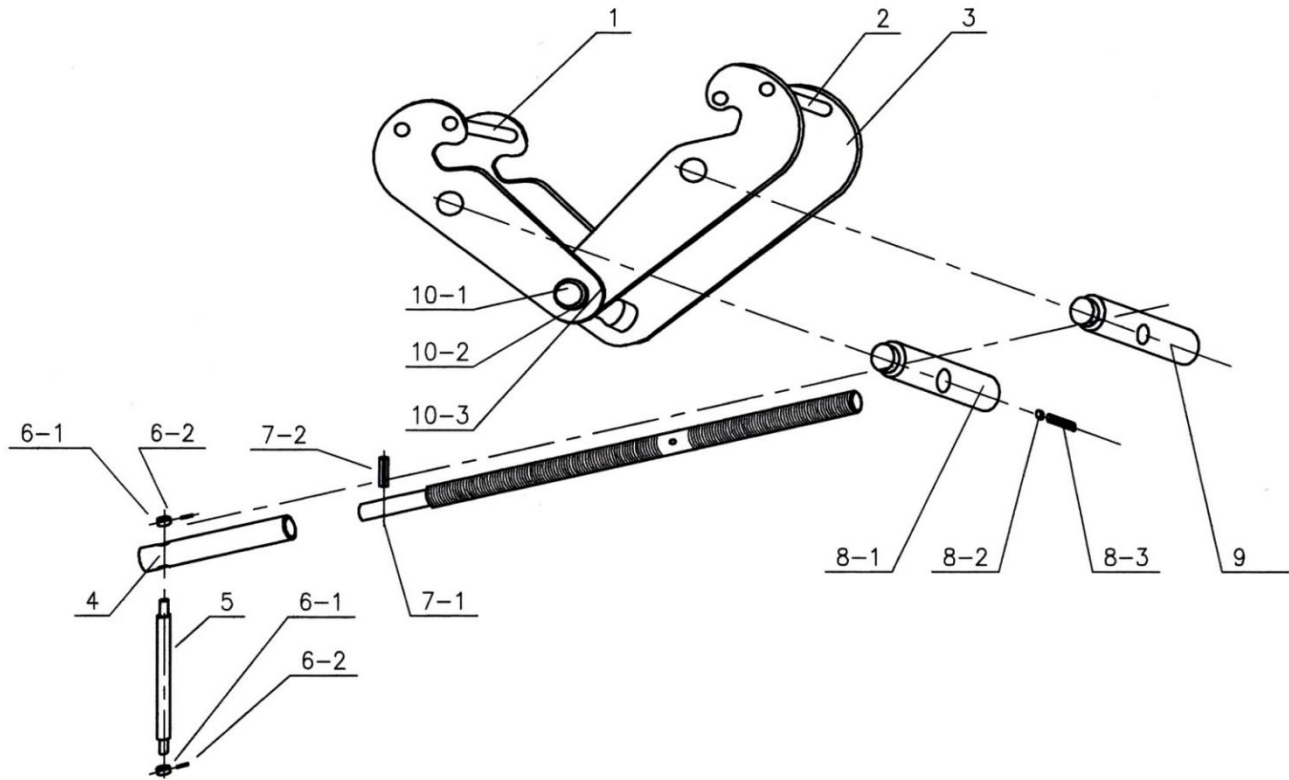
4.0 DIMENSIONS & SPECIFICATIONS: MODEL BC



Model		BC-020	BC-040	BC-060	BC-100	BC-200
Capacity (Tons)		1	2	3	5	10
Flange Width (in)		2.9 - 8.6	2.9 - 8.6	3.1 - 12.6	3.1 - 12.6	3.5 - 12.6
Max. Flange Thickness		7/8	7/8	1 1/2	1 1/2	1 3/4
Dimensions (in)	Max. A	10.20	10.20	13.90	13.90	14.40
	Min. B	7.10	7.10	9.30	9.30	12.60
	Max. B	14.17	14.17	19.30	19.30	19.88
	C	2.50	2.90	4.00	4.30	4.70
	D	0.20	0.23	0.31	0.39	0.47
	E	8.46	8.46	10.20	10.20	11.00
	Min. F	4.00	4.00	5.50	5.50	6.70
	Max. F	6.10	6.10	8.90	8.90	9.25
	Min. G	1.00	1.00	1.80	1.80	1.90
H	0.87	0.87	0.94	1.10	1.57	
Net Weight (lbs)		9.9	11.0	23.2	24.3	35.3

Updated: 2013

5.0 EXPLODED VIEW & PARTS LIST: MODEL BC



Beam Clamp	
#	Part Name/Description
1	Stay
2	Stay
3	Side Plate
4	Lever Handle Link Cover
5	Lever Handle
6-1	Nut
6-2	Spring Straight Pin
7-1	Screw Mandrel
7-2	Spring Straight Pin
8-1	Left Thread Spindle
8-2	Washer
8-3	Spring Straight Pin
9	Dexter Thread Spindle
10-1	Equalizer Pin
10-2	Washer
10-3	Washer