



Push-Button Pendant T Series



Features

- Compact safety-yellow enclosure.
- Two piece enclosure simplified field wiring
- Easy to read legend plates.
- Neoprene Booted Buttons.
- NEMA 4x Enclosure rating. Degree of protection IP65.
- Range of -15°C to 40°C (5°F to 104°F) operation temperature
- UL/CSA Listed
- Contacts rated 5A at 120 VAC
- 100 gr. Shock resistance.
- Indoor or Outdoor use.

General Description

The ACI push button pendant buttons are available to fit in a wide variety of applications... from the simplest one motion hoist to the three-motion cranes with multiple switches and accessories. They may be purchase as complete assemblies with switches and accessories pre-installed, or you may build your own station by purchasing individual components and assembling them yourself.



689 7th Terrace
Dania, FL 33004
(954) 367-6116
www.acihoist.com

Table of Contents

SECTION	PAGE
1 General Information and Specifications	2-9
1.1 Description	2
1.2 Specifications	3-9
2.0 Dimensions	10

1 General Information and Specifications

1.1 Description

T Series pendant stations are designed for standard or medium duty control circuit applications. The enclosures are made from double insulated thermoplastic material and these stations have been designed for easy handling and operation.

We offer two styles of stations: “small hoist” pistol grip stations with integral parts (see table 2 on page 4), and “general purpose” station components with modular assembly required. The general purpose components are available as custom, factory-assembled stations. For custom applications, a wide range of operators, contact blocks, legend plates, and accessories are offered. These pendants can be used on applications such as overhead cranes, tower cranes, fixed hoists, beam hoists and feature single and two speed versions, they are double insulated, shock and corrosion resistant, 2, 4, 6, 8, 12 element versions and incredible ease of operation!

1.2 Specifications

Specifications (Table 1 Below)

Electrical Ratings	NEMA / UL A600, Q600
Enclosure XACA0	NEMA/ UL Type 4, 4X (Indoor/Outdoor) 5, IP 65
XACA2 (Pistol Grip)	NEMA/ UL Type 4, 4X (Indoor/Outdoor) 5, IP 65
Operating Temperature	-15°C to +70°C (-5°F to +158°F)
Storage Temperature	-40°C to +70°C (-40°F to +158°F)
Housing Material	Yellow polypropylene V2
Shock Resistance	100 g
Vibration Resistance	15 g for 40 to 500 Hz
Mechanical Life	1 Million Operations (The product life expressed is based on average usage and normal operating conditions. Actual operating life varies with conditions. The above statements are not intended to nor shall they create any express or implied warranties as to product operation or life. For information on the limited warranty offered on this product, please contact ACI Hoist and Crane.)
Operating Force	T-Series multi-element types -With contact ZB2BE : 1 daN (36 oz) for N.O.; 1.3 daN (46.8 oz.) for 1 N.O. / 1 N.C. -With contact XENG1491 : 1.4 daN (50.4 oz) for 1 N.C. / 2 N.O. -With contact XENG1191 : 1.4 daN (50.4 oz.) for 1st step; 2.5 daN (89.9 oz.) for 2nd Step
Cable Entry	XACD : 7 to 18 mm All other models: 8 to 26 mm
Cabling	Screw and captive cable clamp terminals. Recommended torque 15.62 lb-in (1.8 Nm) Capacity: minimum 1 x 0.5 mm ² (20 AWG) solid or stranded; maximum, with or without cable end: 2 x 1.5 mm ² (16 AWG) or 1 x 2.5 mm ² (14 AWG) or by cable quick connector conforming to NF C 20-20 (on request)

(Table 2 Below)

Description	Speeds	Function 1 Speed / 2 Speed	Model Number
1 N.O. contact per operator 2 mechanically interlocked operators	1	↑ ↓	XACA201 [1]
2 N.O. (Staggered) contacts per operator 2 mechanically interlocked operators	2	↑ ↓	XACA207 [1]
1 N.O. + 1 N.C. 2 mechanically interlocked operators	1	↑ ↓	XACA205 [1]
1 N.O. Contact per direction 1 mechanically interlocked 2 way toggle	1	↑ ↓	XACD21A0101
1 N.O. & 1 N.C. contact per direction 1 mechanically interlocked 2 way toggle	1	↑ ↓	XACD21A0105

General Purpose Pendants [1, 2] (Table 3 Below)

Enclosures	Model Number
2-hole enclosure	XACA02
3-hole enclosure (Top hole is for E-stop only)	XACA03 [3]
4-hole enclosure	XACA04
6-hole enclosure	XACA06
8-hole enclosure	XACA08
12-hole enclosure	XACA12

1 Standard enclosures include internal mounting plate, cable sleeve for .31 to 1 in., internal cable clamp, suspension ring and cable tie.

2. Due to space limitations, two ZB2BE 101 or ZB2B2 102 contact blocks will fit behind each operator, but only one of any other contact block. Potentiometers will not fit in the enclosures.

3. Cannot use mounting adapters or base-mounted items.

Contact Blocks for Operators in Cover: (Table 4 Below)

Description	Wiring Diagram	Model Number
1 N.O. / Spring return / 1 speed	-	ZB2BE101
1 N.C. / spring return / 1 speed	-	ZB2BE102
1 N.O. early close, and 1 N.C. and 1 N.O. / spring return / 2 Speed	A	XENG1191
1 N.C. and 2 N.O. / spring return / 1 speed	B	XENG1491
1 N.O. and 1 N.O. latching / 1 speed / interlocked	C	XENG3781
1 N.O. and 1 N.C. latching / 1 speed / interlocked	D	XENG3791
N.C. + N.C. + N.C. with positive opening operation	E	XENG1192

For mounting in enclosures: XACA03 (frontal cut-out); XACA05, A06, A08 (frontal or base cut-out)

For Operators in Base of Enclosure (Table 5 Below)

Description	Model Number
1 N.O. / 1 Speed	XACS101
1 N.C. / 1 Speed	XACA102
2 N.O. / 1 Speed	XACS103
2 N.C. / 1 Speed	XACS104
1 N.O. and 1 N.C.	XACS105

Cannot be used with XACA03 pendant.

Pendant Stations: T-Series Specifications



Booted Push Button



Mushroom Head



Selector Switch

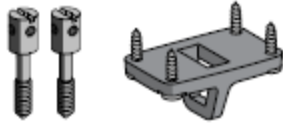


*Selector Switch
(Key Operated)*



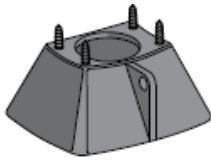
Wobble Stick

Operators			
Description		Color	Model Number
Booted Push Button		White	XACA9411
		Black	XACA9412
		Green	XACA9413
		Red	XACA9414
		Yellow	XACA9415
		Blue	XACA9416
		Brown	XACA9419
Description	Mushroom Size	Color	Catalog Number
Mushroom head, for momentary	30 mm	Red	ZA2BC44
Mushroom head, for Maintain	30 mm	Red	ZA2BS44
	40 mm		ZA2BS54
Mushroom head, push to maintain / turn release	30 mm	Red	ZA2BS834
	40 mm		ZA2BS844
Mushroom head, push to maintain / key turn to release	30 mm	Red	ZA2BS74
	40 mm		ZA2BS14
Mushroom head, push to maintain / key turn to release	40 mm	Red	ZA2BS844
Description		Color	Catalog Number
Selector switch / 2 position-maintained		Black	ZA2BD2
Selector switch / 3 position-maintained		Black	ZA2BD3
Selector switch / 2 position-maintained key operated-key removal from left or right position		NA	ZA2BG4
Selector switch / 3 position-maintained key operated-key removal from left or right position		NA	ZA2BG5
Wobble stick (bottom mounting recommended)		Black	ZA2BB2
		Red	ZA2BB4
- Booted push buttons are for cover mounting only. All other operators can be mounted on cover or bottom			
-Trigger action mushroom heads are tamper-proof, meaning that teasing of floating the operator does NOT change the contact state			

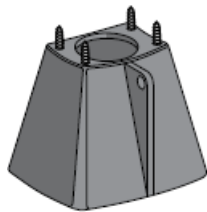


XACB961 XACA971

Pilot Light Components		
Description	Color	Model Number
Direct supply base without lamp (for 6-120 V applications) (AC/DC)	-	ZB2BV006
Resistor supply base with 130 V lamp for 220-240 V applications (AC/DC)	-	ZB2BV007
Pilot light operators for incandescent lamps	Green	ZA2BV03
	Red	ZA2BV04
	Amber	ZA2BV05
	Blue	ZA2BV06
	Clear	ZA2BV07
Pilot Light operators for LED lamps	Green	ZA2BV033
	Red	ZA2BV043
	Amber	ZA2BV053



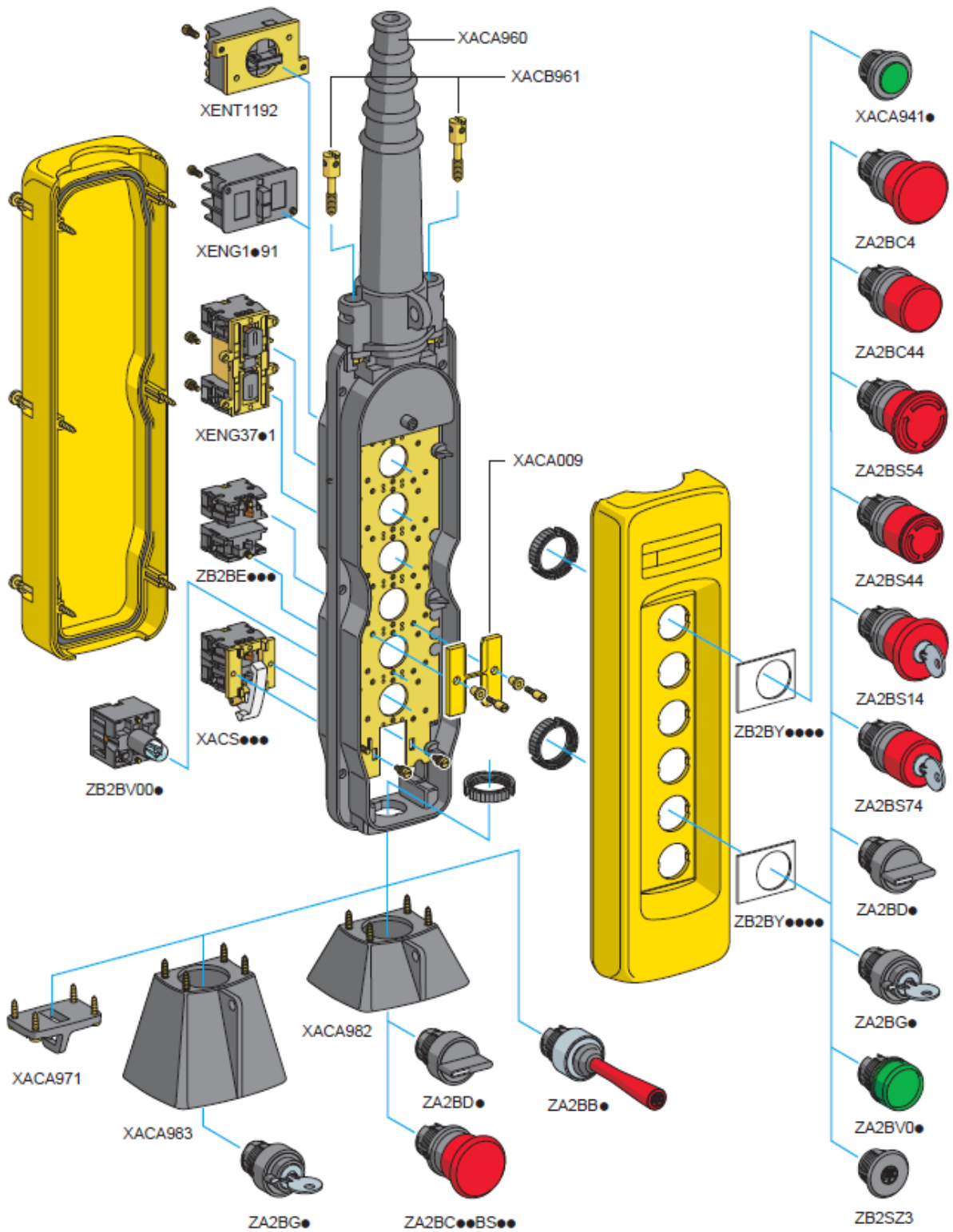
XACA982



XACA983

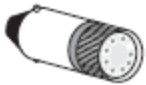
Enclosure Accessories	
Description	Model Number
Blank hole plug	ZB2SZ3
Mechanical interlock-momentary. For use with XAC booted operators only.	XACA009
Screw adapter for self-supporting cable	XACB961
Low suspension ring for single row station	XACA971
Protective guard for bottom mounted mushroom head	XACA982
Protective guard for bottom mounted selector switch or key switch	XACA983
Cable sleeve (XACA20)--Pistol grip style	XACA913
Cable Sleeve (XACA)	XACA960

Exploded View (I would change the part names for the manual)





DL1CE0**
(Incandescent)



DL1CJUS****
(LED)

Lamps			
Type	Voltage (AC/DC)	Watts	Model Number
Replacement Bulbs Type BA9s Incandescent	6	1.2	DL1CB006
	12	2	DL1CE012
	24	2	DL1CE024
	48	2.4	DL1CE048
	130	2.6	DL1CE130
Type	Color	Voltage	Model Number
LED, BA9s Base for Direct Supply Blocks	Green	6 V	DL1CJUS0063
	Red	6 V	DL1CJUS0064
	Amber	6 V	DL1CJUS0065
	Green	12 V	DL1CJUS0123
	Red	12 V	DL1CJUS0124
	Amber	12 V	DL1CJUS0125
	Green	24 V	DL1CJUS0243
	Red	24 V	DL1CJUS0244
	Amber	24 V	DL1CJUS0245
	Green	120 V	DL1CJUS1203
	Red	120 V	DL1CJUS1204
	Amber	120 V	DL1CJUS1205



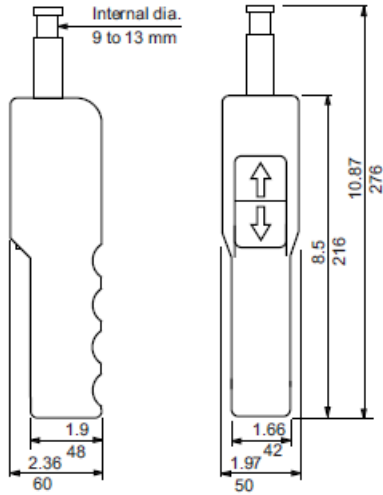
PVC Standard Legend Plates 30 x 40 mm			
Text [1]	Catalog Number	Text [1]	Model Number
Bridge Forward	ZB2BY2343	Off	ZB2BY2312
Bridge Reverse	ZB2BY2344	On	ZB2BY2311
Close	ZB2BY2314	Off On	ZB2BY2367
Down	ZB2BY2308	Open	ZB2BY2313
Emergency Stop	ZB2BY2330	Open Close	ZB2BY2376
Fast	ZB2BY232	Open-O-Close	ZB2BY2388
Forward	ZB2BY2305	Out	ZB2BY2339
For Rev	ZB2BY23	Power On	ZB2BY2326
For-O-Rev	ZB2BY2384	Raise	ZB2BY2335
Hand Off Auto	ZB2BY2387	Reset	ZB2BY2323
High	ZB2BY2338	Reverse	ZB2BY2306
High Low	ZB2BY2369	Right	ZB2BY2309
Hoist Down	ZB2BY2342	Run	ZB2BY2334
Hoist Up	AB2BY2341	Slow	ZB2BY2327
In	ZB2BY2503	Start	ZB2BY2303
Inch	ZB2BY2321	Stop	ZB2BY2304
Jog For	ZB2BY2381	Stop Start	ZB2BY2366
Jog Rev	ZB2BY2380	Trolley Right	ZB2BY2345
Jog Run	ZB2BY2365	Trolley Left	ZB2BY2346
Left	ZB2BY2310	Up	ZB2BY2307
Low	ZB2BY2336	Up Down	ZB2BY2370
Lower	ZB2BY2337	Up-O-Down	ZB2BY2389
Man Auto	AB2BY2372		

The name plates all come in black with white lettering. However, 'Reset', 'Stop' and 'Emergency Stop' come in red with white lettering.

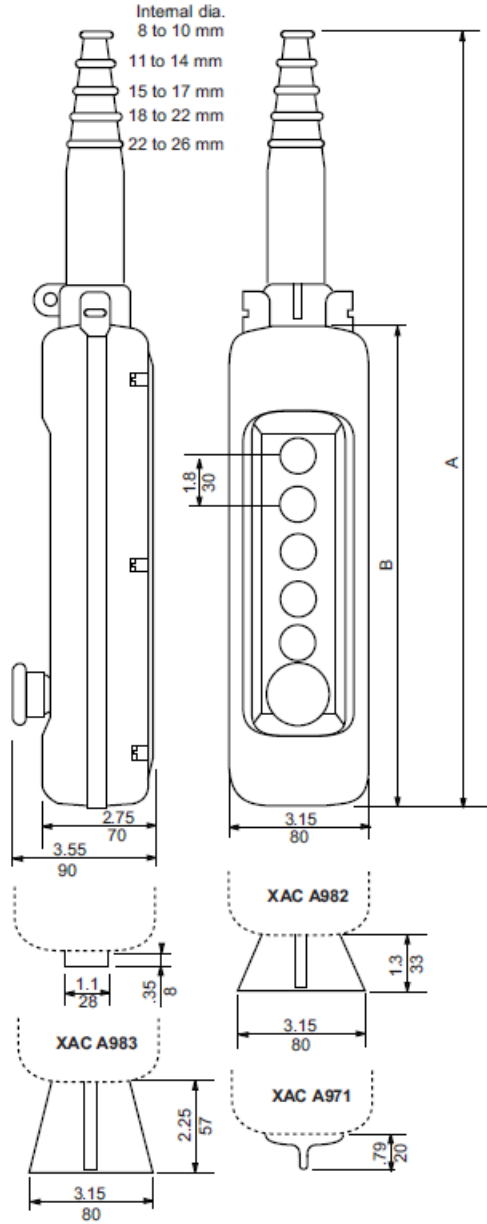
PVC Blank or Custom Engraved Legend Plates, 30 x 40 mm		
Type	Description	Model Number
PVC Blank Legend	Black or red background	ZB2BY2101
	Yellow or white background	ZB2BY4101
PVC Custom Engraved [1]	Black background, white letters	ZB2BY2002
	Red background, white letters	ZB2BY2004
	White background, black letters	ZB2BY4001
	Yellow background, black letters	ZB2BY4005

2.0 Dimensions

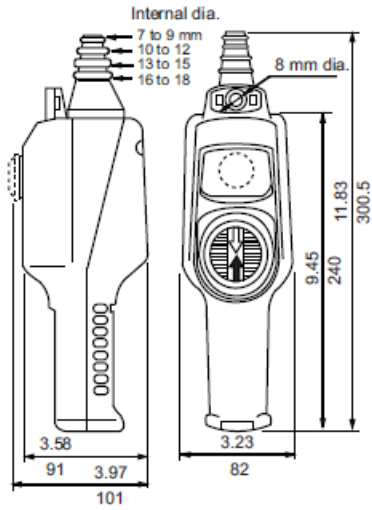
Small Hoist Type
XACA201, A205, and A207



General Purpose Type
XACA....



Small Hoist
XACD



Dimension	Number of Holes (In.)					
	2	3	4	6	8	12
A	15	15	17.33	19.7	22.1	26.78
B	7.5	7.5	9.85	12.2	14.57	19.3

