

SPARE PARTS CATALOGUE

Electric wire rope hoists, type MH and MHM



689 S.W. 7th Terrace
Dania, FL 33004
Phone : 954 -367-6116
Fax : 954-272-0334



689 S.W. 7th Terrace Dania, FL 33004



689 S.W. 7th Terrace Dania, FL 33004

CONTENTS

Directions for using the catalogue _____	1
1. Lifting reducer _____	2
2. Body with switching-off system, drum, rope guide, rope, clutch complete _____	4
3. Reeving _____	8
4. Clutch _____	10
5. Hook set _____	12
6. Travel mechanism– normal headroom _____	14
7. Travel mechanism - reduced headroom _____	20
8. Load limiter type HOT _____	26
9. Reducer with disk electromagnetic brake _____	28
10. Control block _____	30
Appendix №1 – REQUEST for spare parts _____	35

The catalogue is accordance with:

1. **ISO 10973:1995(E)**, Cranes - Spare parts manual
2. **DIN V 8418** Benutzerinformation
3. **EN 292-2:1991** Sicherheit von Maschinen
4. **DIN 24420, Teil 1**, Ersatzteillisten, Allgemeines
5. **DIN 24420, Teil 2**, Ersatzteillisten, Form und Bau des Textteiles

EACH ORDER SHALL CONTAIN THE FOLLOWING DATA:

1. Factory number and year of production of the electric hoist as given in its factory nameplate.
2. Name and catalogue number of the requested parts.
3. Quantity of each part.
4. Type, voltage and frequency as stated on item's own identity plate for the electric equipment spare parts.
5. Kind of the parcel.
6. Address for delivering of the parcel.

The form for requesting spare parts is shown in Appendix 1.

TO ORDER SPARE PARTS CONTACT THE FOLLOWING ADDRESS:

ACI Hoist and Crane

689 S.W. 7th Terrace

Dania, FL 33004

Tel. 954 367 6116

Fax 954 272 0334

E-mail: info@acihoist.com

<http://www.acihoist.com>



DIRECTIONS FOR USING THE CATALOGUE

The present catalogue comprises all parts of the MH electric hoists.

The tables show the numbers of the figures and the positions, the name, quantity and catalogue number of the parts for the specific modification.

The units whose positions are in square brackets "[]", can not be disassembled and are delivered as whole sets. In parenthesis "()" are put the numbers of standard articles such as bolts, nuts, safety rings, etc., which usually are not offered as spare parts, but it's not impossible for the customer to order them. They are shown and described for the sake of facilitating the electric hoist maintenance. When replacing them make sure to observe the strength class of the tightening elements.

The meaning of the symbols in the catalogue numbers columns is as follows:

"-" - not available in this particular modification;

"+" - available in this particular modification;

The lifting speeds are denoted by V1 and V2. The lifting height are denoted by H1, H2, H3, H4, H5, H6 and H7. Their values are given in table 1 and table 2.

Table 1

Lifting speed - designation		V1			V2		
Size	Reeving	1/1, 2/2	2/1,4/2	4/1	1/1, 2/2	2/1,4/2	4/1
	Variant of low lifting speed	Lifting speed : basic / low, m/min					
MH 2	-	16	8	-	24	12	-
	I	16/3,6	8/1,9	-	24/3,6	12/1,9	-
	II	16/2,8	8/1,4	-	24/2,8	12/1,4	-
MH 3 MHM 4 MHM 5 MH 6	-	16	8	4	24	12	6
	I	16/3,6	8/1,9	4/0,95	24/3,6	12/1,9	6/0,95
	II	16/2,8	8/1,4	4/0,7	24/2,8	12/1,4	6/0,7
MH 7	-	16	8	4	-	-	-
	I	16/3,6	8/1,9	4/0,95	-	-	-

Table 2

Size	Reeving	Lifting height, m						
		H1	H2	H3	H4	H5	H6	H7
MH 2	2/1	6	10	13,5	21	28,5	-	-
	4/1	-	-	-	-	-	-	-
MH 3	2/1	6	9,5	13	20	27	-	-
	4/1	-	-	6,5	10	13,5	-	-
MHM 4	2/1	5	8,5	12	18,5	25	-	-
	4/1	-	-	6	9	12,5	-	-
MHM 5	2/1	5	8	11	17	23	29,5	-
	4/1	-	-	5,5	8,5	11,5	14,5	-
MH 6	2/1	-	7	10	16,5	22,5	25,5	30,5
	4/1	-	-	5	8	11	12,5	15
MH 7	2/1	-	7,5	12	16,5	22,5	28,5	34,5
	4/1	-	-	6	8	11	14	17

The other symbols, used in the catalogue, denote: Q-capacity; dr - rope diameter; Vt - travel speed; Dtw - Driven travel wheel diameter, V - Lifting speed, S - Reeving.

Note: The catalogue refers to electric hoists with: lifting speed V1 and V2; modification for MH 3 to MH 7. Lifting height: for H1 to H5 for electric hoists MH 3, MHM 4, MHM 5 and MH 6 and for H2 to H7 - for electric hoist MH 7.

THE MANUFACTURER HAS THE RIGHT TO PLACE CHANGE IN PARTS CATALOGUE



1. LIFTING REDUCER

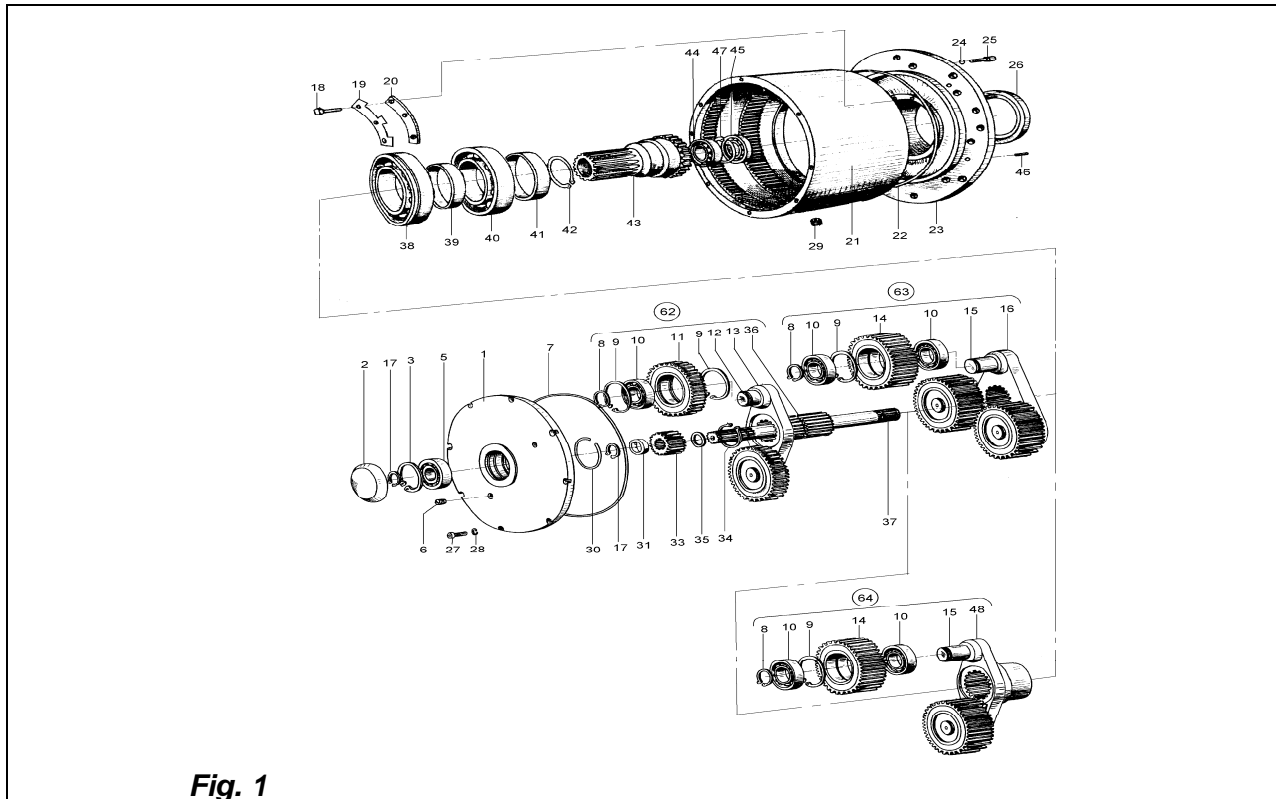


Fig. 1

1.1. Reducer and electric motor

Table 1.1

Size	V	Electric motor single - speed	Electric motor double-speed		Lifting height	Reducer	Flange pos. 23	Shaft pos. 37	
			Variant I	Variant II					
						Catalogue number			
MH 3	V1	KG 1608-6	KG I 2110-30/6	KG I 2110-24/6	H1, H4, H5	168303	168268	162714	
	V2	KG I 1608-4	KG I 2110-30/4	KG I 2110-24/4					
	V1	KG 1608-6	KG I 2110-30/6	KG I 2110-24/6	H2	168304	168268	162908	
	V2	KG I 1608-4	KG I 2110-30/4	KG I 2110-24/4					
MHM 4	V1	KG 2008-6	KG I 2110-30/6	KG I 2110-24/6	H1, H4, H5	168305	168268	168328	
	V2	KG I 1608-4	KG I 2110-30/4	KG I 2110-24/4					
	V1	KG 2008-6	KG I 2612-30/6	KG I 2612-24/6	H2	169213	164432	162212	
	V2	KG I 2008-4	KG I 2612-30/4	KG I 2612-24/4					
MHM 5	V1	KG 2008-6	KG I 2612-30/6	KG I 2612-24/6	H3	169229	164432	162756	
	V2	KG I 2008-4	KG I 2612-30/4	KG I 2612-24/4					
	V1	KG 2008-6	KG I 2612-30/6	KG I 2612-24/6	H1, H4, H5	169217	164432	169172	
	V2	KG I 2008-4	KG I 2612-30/4	KG I 2612-24/4					
MH 6	V1	KG 2011-6	KG II 2612-30/6	KG II 2612-24/6	H1, H4, H5	169322	164432	162212	
	V2	KG I 2012-4	KG II 2612-30/4	KG II 2612-24/4					
	V1	KG 2011-6	KG II 2612-30/6	KG II 2612-24/6	H2	169323	164432	162239	
	V2	KG I 2012-4	KG II 2612-30/4	KG II 2612-24/4					
MH 7	V1	KG 2011-6	KG II 2612-30/6	KG II 2612-24/6	H3	169324	164432	169173	
	V2	KG I 2012-4	KG II 2612-30/4	KG II 2612-24/4					
	MH 6	V1	KG 2412-6	KG II 3317-30/6	KG II 3317-24/6	H1, H4, H5	148864	164429	162177
		V2	KG I 2714-4	KG II 3317-30/4	KG II 3317-24/4				
V1		KG 2412-6	KG II 3317-30/6	KG II 3317-24/6	H2	148865	164429	162075	
V2		KG I 2714-4	KG II 3317-30/4	KG II 3317-24/4					
MH 7	V1	KG 2412-6	KG II 3317-30/6	KG II 3317-24/6	H3	148866	164429	148148	
	V2	KG I 2714-4	KG II 3317-30/4	KG II 3317-24/4					
	MH 7	V1	KG 2714-6	-	KG 3517-24/6	H2, H4 - H7	158041	162350	162334
		V1	KG 2714-6	-	KG 3517-24/6	H3	149715	162350	160803



1.2. Details, available in all reducers from table 1.1

Table 1.2

Size				MH 3	MHM 4	MHM 5	MH 6	MH 7
Lifting speed				V1, V2	V1, V2	V1, V2	V1, V2	V1
Fig.	Pos.	Name	QTY	Catalogue number				
1		Reducer	1	168303	169213	169322	148864	158041
			1	168304	169229	169323	148865	149715
			1	168305	169217	169324	148866	-
1	1	Cover	1	186182	186184	186184	186185	162332
1	2	Cap	1	186183	186186	186186	186186	162333
1	(3)	Ring BDS 2170-77	1	A47	A62	A62	A62	A72
1	(5)	Ball bearing BDS 4843-84	1	6204	6305	6305	6206	6207
1	(6)	Stopper BDS 2527-71	1	IV Taper 1/4"	IV Taper 1/4"	IV Taper 1/4"	IV Taper 1/4"	-
1	(6)	Stopper	1	-	-	-	-	162336
1	7	Rubber ring	1	160062	160091	160091	160151	162328
1	(8)*	Ring BDS 2170-77	5*	B20	B30	B30	B40	B50
1	(9)*	Ring BDS 2170-77	5*	A47	A62	A62	A80	A110
1	(10) ²	Ball bearing BDS 4843-84	8*	6204	6206	6206	6208	6310
1	[11]	Planetary gear	2	000116	000724	000724	162514	162340
1	[12]	Axle	2	162709	162096	162096	162157	162342
1	[13]	Planet carrier I	1	162932	162217	162217	162516	147085
1	14*	Planetary gear	3*	000116	162221	162221	162563	162358
1	[15]*	Axle	3*	000169	162222	162222	162564	162352
1	[16]	Planet carrier II	1	000196	162474	162469	162560	162353
1	(17)	Ring BDS 2170-77	3	B20	B25	B25	B30	B65
1	(18)	Bolt BDS 1230-72	6	I M8x16	I M8x16	I M8x16	I M8x18	-
1	19	Safety pad	2	160065	160094	160094	160154	-
1	20	Stop sector	2	160063	160092	160092	160152	-
1	21	Tooth rim	1	162279	162059	162059	162028	162444
1	22	Rubber ring	1	162062	160093	160093	160153	162331
1	(24)	Spring washer BDS 833-82	8	2-8H	2-8H	2-8H	2-10H	2-14H
1	(25)	Screw BDS 2171-83/8.8	8	M8x18	M8x25	M8x25	M10x30	M14x35
1	(26)	Gasket BDS 9954-83	1	208045	208048	208048	208054	162957
1	(27)	Screw BDS 2171-83/8.8	8	M6x14	M6x18	M6x18	M6x18	M6x20
1	(28)	Spring washer BDS 833-82	8	2-6H	2-6H	2-6H	2-6H	2-6H
1	(29)	Stopper BDS 2527-71	1	IV Taper 1/4"	IV Taper 1/4"	IV Taper 1/4"	IV Taper 1/4"	-
1	(29)	Stopper	1	-	-	-	-	162336
1	30	Safety ring	1	160067	160096	160096	160096	-
1	30	Ring BDS 2170-77	1	-	-	-	-	A72
1	31	Space bush	1	126778	180099	180099	160613	-
1	33	Sun gear	1	162779	162102	162102	162021	-
1	(34)	Ring BDS 2170-77	1	B40	B48	B48	B55	B65
1	35	Adjusting bush	1	160071	162107	162107	162023	-
1	36	Sun gear	1	162712	162099	162099	162520	147086
1	(38)	Ball bearing BDS 4843-84	1	6210N	6215N	6215N	6218N	6222
1	39	Space bush	1	162038	162817	162817	162561	162354
1	(40)	Ball bearing BDS 4843-84	1	6210	6215	6215	6218	6222
1	[41]	Bush	1	162935	162225	162225	162567	162355
1	(42)	Ring BDS 2170-77	1	B40	B60	B60	B75	B110
1	[43]	Geared bush	1	162039	162471	162471	162562	162356
1	(44)	Ball bearing BDS 4843-84	1	6004	6205	6205	6206	6207
1	(45)	Gasket BDS 9954-83	1	B20x42x10	B25x52x10	B25x52x10	B30x62x10	B30x62x10
1	46	Cylindrical pin	2	143357	143357	143357	147028	147084
1	(47)	Ring BDS 2170-77	1	-	A52	A52	A62	A72
1	62	Gearing I complete	1	158413	158304	158304	158307	158310
1	63	Gearing II complete	1	000205	-	158305	158308	158311
1	64	Gearing II complete	1	-	158303	-	-	-

Note: 1. The number of the details denoted by "*" (pos. 8, 9, 14 and 15) is one less than the number shown in the table for electric hoist MHM 4.

2. The number of the details denoted by "²" (pos. 10) is two less than the number shown in the table for electric hoist MHM 4.



2. BODY WITH SWITCHING-OFF SYSTEM, DRUM, ROPE GUIDE, ROPE, CLUTCH COMPLETE

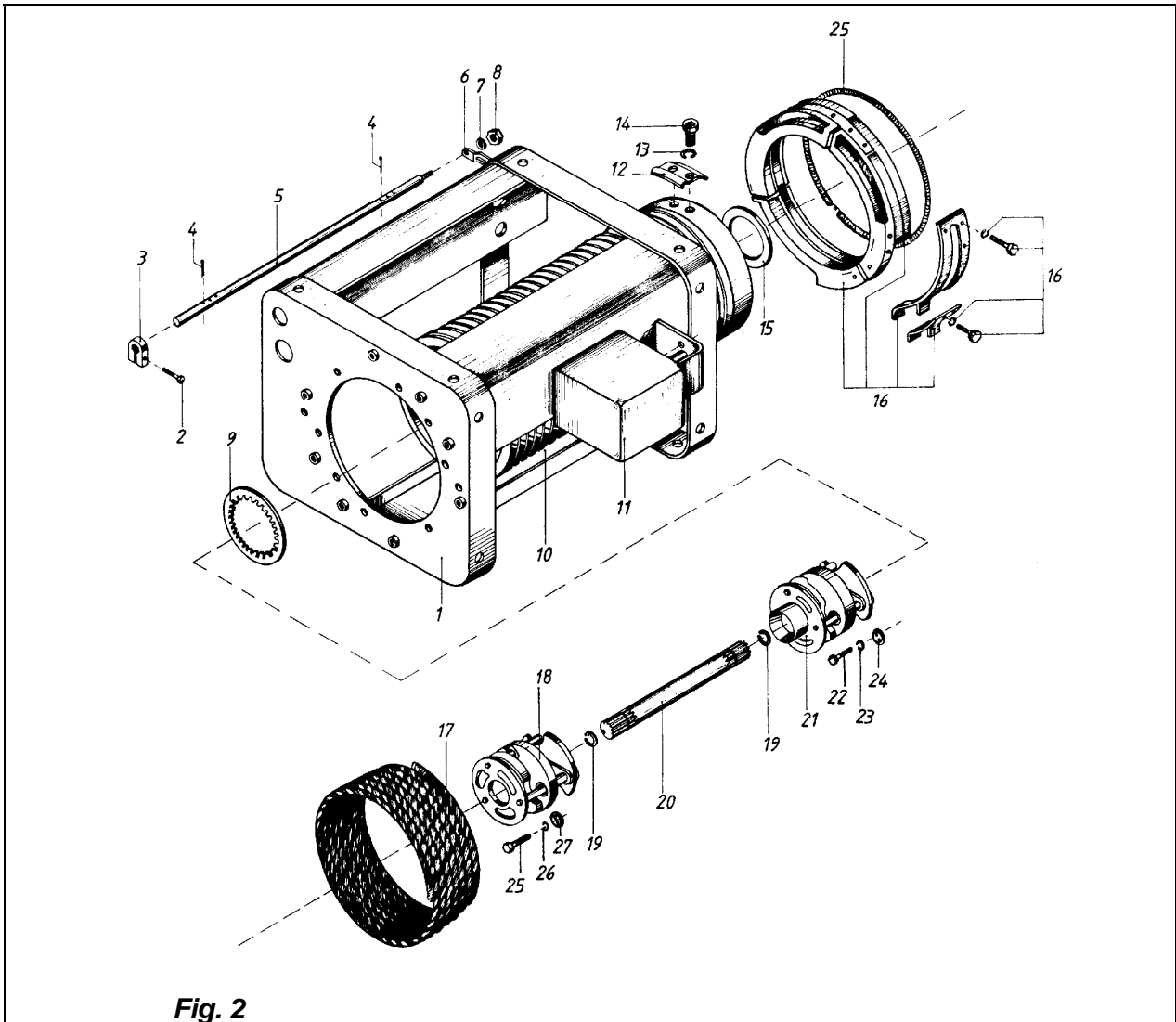


Fig. 2

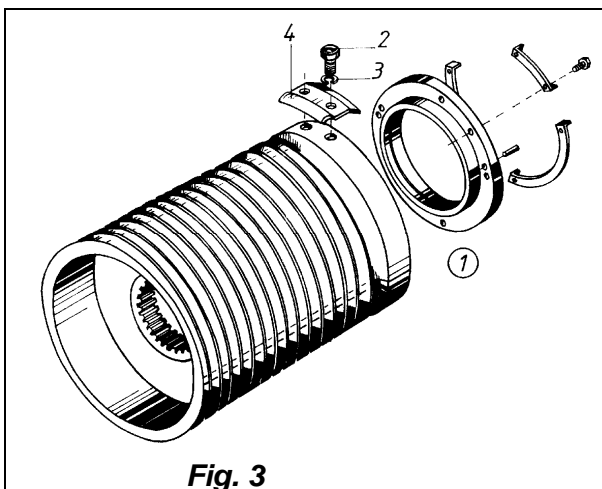


Fig. 3

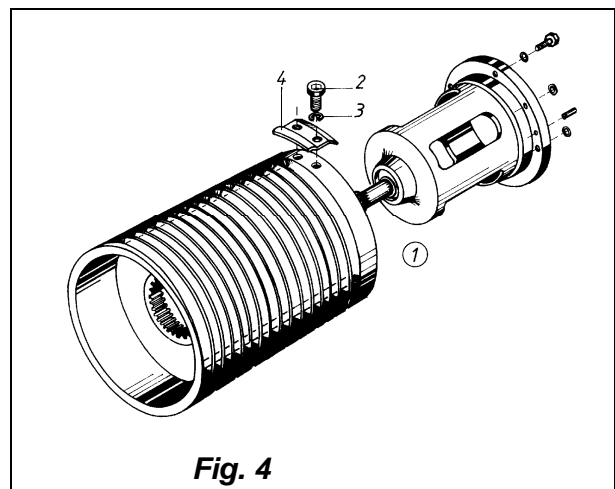


Fig. 4

Table 2.1

Fig.	Pos.	Load limiter - type				V	QTY	Reduced headroom					Normal headroom				
		Box for electric panel - type		Name	S			H1	H2	H3	H4	H5	H1	H2	H3	H4	H5
		Catalogue number															
		1	2														
3	4	5	6	7	8	9	10	11	12	13	14	15	16	17	18		
Size MH 3 (dr=7 mm), group 2m																	
2	1	Body	2/1	T	BOT	V1, V2	1	204072	204073	204074	204075	204076	203082	203083	203084	203085	203086
2	1	Body	4/1	T	BOT	V1, V2	1	-	-	204080	204081	204082	-	-	203065	203066	203067
2	1	Body	2/1	T	HOT	V1, V2	1	204072	204073	204074	204075	204076	833520	833521	833522	833523	833524
2	1	Body	4/1	T	HOT	V1, V2	1	-	-	830068	829502	833046	-	-	829723	829218	831567
2	5	Rod	2/1,4/1	*	*	V1, V2	1	204214	204215	204216	204217	204218	203529	203530	203531	203532	203533
2	5	Rod-micro	2/1,4/1	*	*	V1, V2	1	204219	204220	204221	204221	204223	203534	203535	203536	203537	203538
2	[10]	Drum complete	2/1,4/1	*	*	V1, V2	1	204719	204720	204721	204722	204723	204719	204720	204721	204722	204723
2	[16]	Rope guide	2/1,4/1	*	*	V1, V2	1	203430	203430	203430	203430	203430	203420	203420	203420	203420	203420
2	25	Spring	2/1,4/1	*	*	V1, V2	1	202987	202987	202987	202987	202987	202987	202987	-	-	-
2	17	Rope	2/1	*	*	V1, V2	1	204352	204353	204354	204355	204357	204352	204353	204354	204355	204357
2	17	Rope	4/1	*	*	V1, V2	1	-	-	204358	204359	204360	-	-	204358	204359	204360
2	[18]	Clutch	2/1,4/1	*	*	V1, V2	1	170086	170086	170086	140739	140739	170086	170086	170086	140739	140739
2	20	Interm. shaft	2/1,4/1	*	*	V1, V2	1	-	-	-	257076	257077	-	-	-	257076	257077
2	[21]	Clutch	2/1,4/1	*	*	V1, V2	1	-	-	-	140732	140732	-	-	-	140732	140732
2	11	Load limiter type HOT	2/1	*	*	V1, V2	1	577110	577110	577110	577110	577110	577110	577110	577110	577110	577110
2	{11}	Load limiter type HOT	2/1	*	*	V1, V2	1	577182	577182	577182	577182	577182	577110	577110	577110	577110	577110
2	11	Load limiter type HOT	4/1	*	*	V1, V2	1	577171	577171	577171	577171	577171	577171	577171	577171	577171	577171
Size MHM 4 and MHM 4 (dr=10 mm), group 2m																	
2	1	Body	2/1	T	BOT	V1, V2	1	203448	203449	203450	203451	203452	203225	203226	203227	203228	203229
2	1	Body	4/1	T	BOT	V1, V2	1	-	-	203458	203459	203460	-	-	203319	203320	203323
2	1	Body	2/1	T	HOT	V1, V2	1	203448	203449	203450	203451	203452	833530	833531	833532	833533	833534
2	1	Body	4/1	T	HOT	V1, V2	1	-	-	828720	828721	833047	-	-	829809	-	831083
2	5	Rod	2/1,4/1	*	*	V1, V2	1	204224	204225	204226	204227	204228	203539	203540	203541	203542	203543
2	[10]	Drum complete for MH 4 for MHM 4	2/1,4/1	*	*	V1, V2	1	204724	204725	204726	204727	204728	204724	204725	204726	204727	204728
2	[16]	Rope guide for MH 4 for MHM 4	2/1,4/1	*	*	V1, V2	1	203431	203431	203431	203431	203431	203421	203421	203421	203421	203421
2	[16]	Rope guide for MH 4 for MHM 4	2/1,4/1	*	*	V1, V2	1	M03431	M03431	M03431	M03431	M03431	M03421	M03421	M03421	M03421	M03421
2	25	Spring	2/1,4/1	*	*	V1, V2	1	203043	203043	203043	203043	203043	203043	203043	203043	203043	203043
2	17	Rope	2/1	*	*	V1, V2	1	204361	204362	204363	204364	204365	204361	204362	204363	204364	204365
2	17	Rope	4/1	*	*	V1, V2	1	-	-	204366	204367	204368	-	-	204366	204367	204368
2	[18]	Clutch	2/1,4/1	*	*	V1, V2	1	170087	170087	170087	196110	196110	170087	170087	170087	196110	196110
2	20	Interm. shaft	2/1,4/1	*	*	V1, V2	1	-	-	-	257078	257079	-	-	-	257078	257079
2	[21]	Clutch	2/1,4/1	*	*	V1, V2	1	-	-	-	196111	196111	-	-	-	196111	196111
2	11	Load limiter type HOT	2/1	*	*	V1, V2	1	576623	576623	576623	576623	576623	577111	577111	577111	577111	577111
2	11	Load limiter type HOT	4/1	*	*	V1, V2	1	577172	577172	577172	577172	577172	577172	577172	577172	577172	577172



Table 2.1 – cont'd

1	2	3	4	5	6	7	8	9	10	11	12	13	14	15	16	17	18
Size MHM 5 and MHM 5 (dr=12 mm), group 2m																	
2	1	Body	2/1	T	BOT	V1, V2	1	203453	203454	203455	203456	203457	203230	203231	203232	203233	203234
2	1	Body	4/1	T	BOT	V1, V2	1	-	-	203461	203462	203463	-	-	203321	203322	203324
2	1	Body	2/1	T	HOT	V1, V2	1	203453	203454	203455	203456	203457	833535	833536	833537	833538	833539
2	1	Body	4/1	T	HOT	V1, V2	1	-	-	828722	828498	833048	-	-	829812	829734	831569
2	5	Rod	2/1,4/1	*	*	V1, V2	1	204229	204230	204231	204232	204233	203544	203545	203546	203547	203548
2	[10]	Drum complete for MH 5 for MHM 5	2/1,4/1	*	*	V1, V2	1										
								204729	204730	204732	204733	204734	204729	204730	204732	204733	204734
								M04729	M04730	M04732	M04733	M04734	M04729	M04730	M04732	M04733	M04734
2	[16]	Rope guide for MH 5 for MHM 5	2/1,4/1	*	*	V1, V2	1										
								203432	203432	203432	203432	203432	203422	203422	203422	203422	203422
								M03432	M03432	M03432	M03432	M03432	M03422	M03422	M03422	M03422	M03422
2	25	Spring	2/1,4/1	*	*	V1, V2	1	202818	202818	202818	202818	202818	202818	202818	202818	202818	202818
2	17	Rope	2/1	*	*	V1, V2	1	204369	204370	204372	204373	204374	204369	204370	204372	204373	204374
2		Rope	4/1	*	*	V1, V2	1	-	-	204375	204376	204377	-	-	204375	204376	204377
2	[18]	Clutch	2/1,4/1	*	*	V1, V2	1	170088	170088	170088	195821	195821	170088	170088	170088	195821	195821
2	20	Interm. shaft	2/1,4/1	*	*	V1, V2	1	-	-	-	257080	257081	-	-	-	257080	257081
2	[21]	Clutch	2/1,4/1	*	*	V1, V2	1	-	-	-	195815	195815	-	-	-	195815	195815
2	11	Load limiter type HOT	2/1	*	*	V1, V2	1	829698	829698	829698	829698	829698	577112	577112	577112	577112	577112
2	11		4/1	*	*	V1, V2	1	577173	577173	577173	577173	577173	577173	577173	577173	577173	577173
Size MH 6 (dr=15 mm), group 2m																	
2	1	Body	2/1	T	BOT	V1, V2	1	-	203464	203465	203466	203467	203087	203088	203089	203090	203091
2	1	Body	4/1	T	BOT	V1, V2	1	-	-	204429	203446	203447	-	-	203068	203069	203070
2	1	Body	2/1	T	HOT	V1, V2	1	-	203464	203465	203466	203467	833564	833565	833566	833567	833568
2	1	Body	4/1	T	HOT	V1, V2	1	-	-	829504	829505	833712	-	-	829815	829735	830347
2	5	Rod	2/1,4/1	*	*	V1, V2	1	204234	204235	204236	204237	204238	204234	204235	204236	204237	204238
2	[10]	Drum complete	2/1,4/1	*	*	V1, V2	1	204729	204730	204732	204733	204734	204729	204730	204732	204733	204734
2	[16]	Rope guide	2/1,4/1	*	*	V1, V2	1	205091	205091	205091	205091	205091	203057	203057	203057	203057	203057
2	25	Spring	2/1,4/1	*	*	V1, V2	1	202819	202819	202819	202819	202819	202819	202819	202819	202819	202819
2	17	Rope	2/1	*	*	V1, V2	1	831820	831821	831822	831823	831824	831820	831821	831822	831823	831824
		Rope	4/1	*	*	V1, V2	1	-	-	831825	831826	831827	-	-	831825	831826	831827
2	[18]	Clutch	2/1,4/1	*	*	V1, V2	1	170089	170089	170089	195307	195307	170089	170089	170089	195307	195307
2	20	Interm. shaft	2/1,4/1	*	*	V1, V2	1	-	-	-	257084	257085	-	-	-	257084	257085
2	[21]	Clutch	2/1,4/1	*	*	V1, V2	1	-	-	-	195301	195301	-	-	-	195301	195301
2	11	Load limiter type HOT	2/1	*	*	V1, V2	1	577113	577113	577113	577113	577113	577113	577113	577113	577113	577113
2	11		4/1	*	*	V1, V2	1	577174	577174	577174	577174	577174	577174	577174	577174	577174	577174



Table 2.2

Size MH 7 (dr=18 mm), group 1Am																			
Fig.	Pos.	Load limiter - type					QTY	Reduced headroom						Normal headroom					
		Box for electric panel - type						H2	H3	H4	H5	H6	H7	H2	H3	H4	H5	H6	H7
		Name	S					Catalogue number											
2	1	Body	2/1	T	B	1	204084	204085	204086	204087	204088	204090	203560	203561	203562	203563	203564	203565	
2	1	Body	4/1	T	B	1	-	-	204160	204161	204162	204163	-	-	203600	203601	203602	203603	
2	1	Body	2/1	T	H	1	204084	204085	204086	204087	204088	204090	833586	833587	833588	833589	833590	833591	
2	1	Body	4/1	T	H	1	-	-	833714	833715	-	-	-	833636	833723	829901	-	829903	
2	5	Rod	2/1,4/1	*	*	1	204231	204240	204241	204242	204243	204244	-	832314	203556	203557	203558	203559	
3	[1]	Drum compl.	2/1,4/1	*	*	1	204818	204819	-	-	-	-	204818	204819	-	-	-	-	
4	[1]	Drum compl.	2/1,4/1	*	*	1	-	-	204822	204823	204824	204825	-	-	204822	204823	204824	204825	
2	[16]	Rope guide	2/1,4/1	*	*	1	203435	203435	203435	203435	203435	203435	203424	203424	203424	203424	203424	203424	
2	25	Spring	2/1,4/1	*	*	1	203045	203045	203045	203045	203045	203045	203045	203045	203045	203045	203045	203045	
2	17	Rope	2/1	*	*	1	203645	203646	203647	203648	203649	203650	203645	203645	203647	203648	203649	203650	
		Rope	4/1	*	*	1	-	-	203651	203652	203653	203654	-	-	203651	203652	203653	203654	
2	[18]	Clutch	2/1,4/1	*	*	1	170090	170090	170090	170090	170090	170090	170090	170090	170090	170090	170090	170090	
2	[21]	Clutch	2/1,4/1	*	*	1	-	-	170095	170095	170095	170095	-	-	170095	170095	170095	170095	
2	11	Load limiter	2/1	*	*	1	577114	577114	577114	577114	577114	577114	577114	577114	577114	577114	577114	577114	
2	11	type HOT	4/1	*	*	1	577175	577175	577175	577175	577175	577175	577175	577175	577175	577175	577175	577175	

Note: 1. Designations: "B" - BOT; "H" - HOT; "*" - details and units for all modifications.
2. Modification without load limiter - body (pos.1) is identical with body for the load limiter type BOT.
3. "{11}" - available completing with this load limiter.

Details available in all modifications in tables 2.1 and 2.2

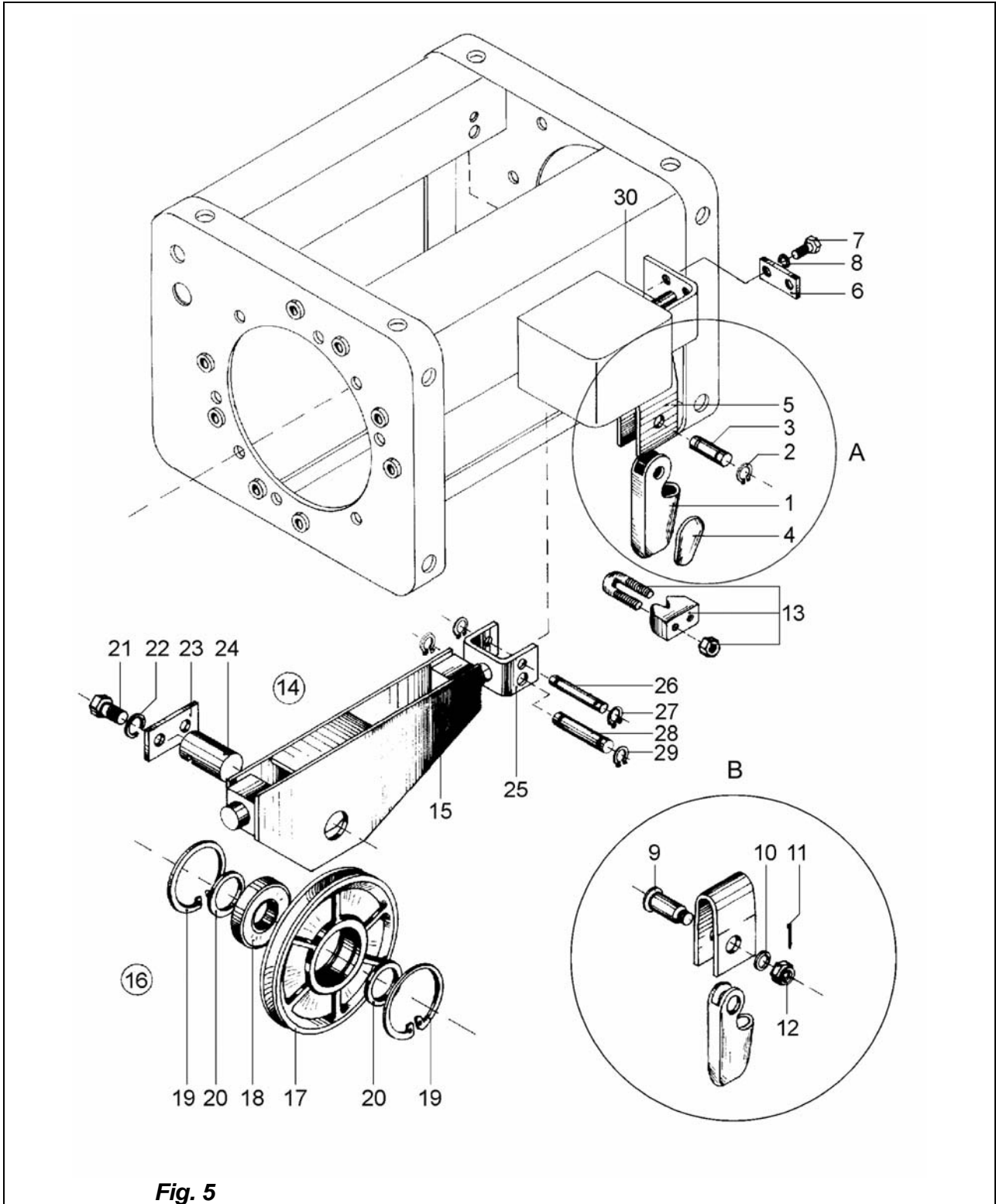
Table 2.3

Size				MH 3	MHM 4	MHM 5	MH 6	MH 7
Fig.	Pos.	Name	QTY	Catalogue number				
2	(2)	Bolt BDS 1230-85/5.6	2	IM6x20	IM6x20	IM6x20	IM6x20	-
2	(2)	Bolt BDS 1234-85/5.6	2	-	-	-	-	IM6x20
2	3	Racket	2	170024	170024	170024	170024	170024
2	(4)	Cotter pin BDS 55-77	2	2.5x14	2.5x14	2.5x14	2.5x14	2.5x16
2	6	Fork	1	-	159818	159818	158838	158860
2	6	Fork - micro speed	1	148089	-	-	-	-
2	(7)	Spring washer BDS 833-82	1	2-6H	2-6H	2-6H	2-6H	2-6H
2	(8)	Nut BDS 744-91/5	1	M6	M6	M6	M6	M6
2	9	Adjusting washer	*	572650	572651	572651	572652	572652
2	12	Plate	3	134570	204805	204805	204806	-
2	(13)	Spring washer BDS 833-82	6	2-6H	2-10H	2-10H	2-12H	-
2	(14)	Screw BDS 2171-83/8.8	6	M6x14	M10x25	M10x30	M12x30	-
2	15	Adjusting washer	*	160060	159816	159816	160177	158707
3,4	4	Plate	3	-	-	-	-	828130
3,4	(3)	Spring washer BDS 833-82	6	-	-	-	-	2-16H
3,4	(2)	Screw BDS 2171-83/8.8	6	-	-	-	-	M16x30
2	19	Ring	2	145091	197695	197695	195203	-
2	(22)	Screw BDS 2171-72	2	M5x14	M6x14	M6x14	M6x14	-
2	(23)	Spring washer BDS 833-82	2	2-5H	2-6H	2-6H	2-6H	-
2	24	Washer	1	140837	195899	195899	225083	-

Note: "*" - Quantity of details for pos. 9 and 15 - in the control list, attached to the passport of the item.



3. REEVING



3.1. Fixing the rope to the body

Table 3.1

			Headroom		Size	MH 3	MHM 4	MHM 5	MH 6	MH 7	
			normal	reduced	dr, mm	7	10	12	15	18	
Fig.	Pos.	Name	Reeving		Variant	QTY	Catalogue number				
5	1	Wedge bush	2/1, 4/1	4/1	I and II	1	260197	260199	260199	260200	260201
5	(2)	Ring BDS 2170-77	2/1, 4/1	4/1	I	2	B14	B18	B18	B22	B26
5	3	Axle	2/1, 4/1	4/1	I	1	826823	826516	826516	826515	827476
5	4	Wedge	2/1, 4/1	4/1	I and II	1	260209	260210	260211	260212	260213
5	5	Carrier	2/1, 4/1	4/1	I and II	1	826824	826784	826784	827747	289821
5	6	Plate 2	2/1, 4/1	4/1	I and II	1	577139	577139	577139	577139	577139
5	(7)	Bolt BDS 1234-85/5.6	2/1, 4/1	4/1	I and II	2	M6x12	M6x12	M6x12	M6x12	M6x12
5	(8)	Washer BDS 833-82	2/1, 4/1	4/1	I and II	2	2-6H	2-6H	2-6H	2-6H	2-6H
5	9	Bolt	2/1, 4/1	4/1	II	1	832122	832126	832126	832127	832136
5	10	Washer	2/1, 4/1	4/1	II	1	577620	577620	577622	577621	577623
5	(11)	Cotter pin BDS 55-77	2/1, 4/1	4/1	II	1	2.5x16	2.5x16	4x25	4x25	4x36
5	(12)	Nut BDS 745-82/4	2/1, 4/1	4/1	II	1	M10	M10	M16	M16	M20
5	(13)	Clamp DIN 1142, No	2/1, 4/1	4/1	I and II	1	8	10	13	16	19

3.2. Traverse with roller complete - Reeving 4/1

Table 3.2

Size				MH 3		MHM 4		MHM 5		MH 6		MH 7
Lifting height				H3	H4, H5	H3	H4, H5	H3	H4, H5	H3	H4, H5	H4 - H7
Rope diameter - dr, mm				7		10		12		15		18
Fig	Pos	Name	QTY	Catalogue number								
5	14	Traverse with roller complete (pos.15÷16, 20÷24)	1	203192	203193	203753	203754	203747	203748	205093	205094	203606
5	15	Traverse	1	203198	203199	203765	203766	203200	203201	205095	205096	203614
5	16	Roller compl. (pos.17-19)	1	826715		826716		828487		205097		828084
5	17	Roller	1	826839		825962		826625		205104		826627
5	(18)	Bearing BDS 4884-85	1	6207-2z		6210-2z		6212-2z		-		6312-2z
5	(18)	Bearing BDS 4843-84	1	-		-		-		6411		-
5	(19)	Ring BDS 2170-77	2	A72		A90		A110		A140		A130
5	20	Bush 180	2	826835		826795		826766		831814		828091
5	(21)	Bolt BDS 1230-85/6.6	2	IM8x16		IM10x22		IM10x22		IM10x22		IM12x20
5	(22)	Washer BDS 833-82	2	2-8H		2-10H		2-10H		2-10H		2-12H
5	23	Fixing plate	1	203760		203762		203761		205099		203610
5	24	Axle	1	203755		203739		203756		205098		203612
Fixing for traverse with roller complete												
5	25	Bracket	1	827844		204387		827742		829365		829653
5	26	Axle	1	826767		826767		826781		827712		827540
5	(27)	Ring BDS 2170-77	2	B12		B12		B14		B16		B18
5	28	Axle	1	826796		826796		826782		829148		827554
5	(29)	Ring BDS 2170-77	2	B20		B20		B22		B25		B28



4. CLUTCH

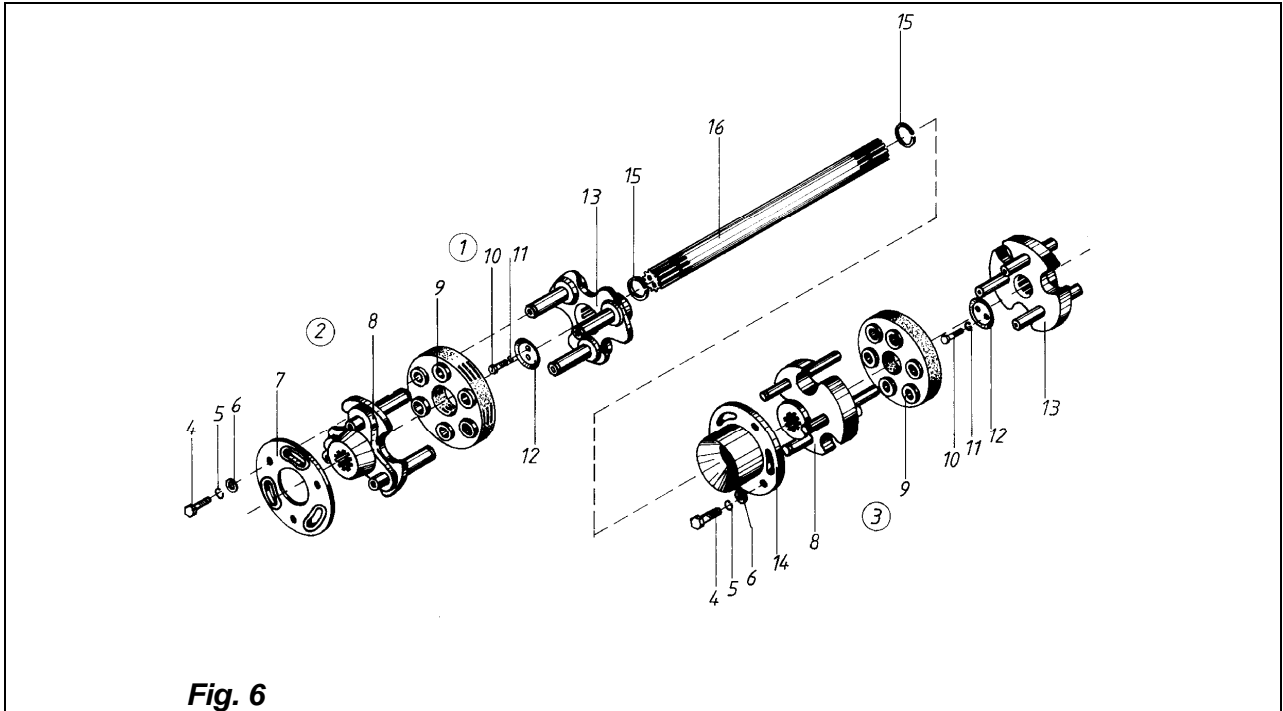


Fig. 6

4.1. Clutches for lifting height H1, H2 and H3

Table 4.1

Size				MH 3	MHM 4	MHM 5	MH 6	MH 7
Lifting height				H1, H2, H3	H1, H2, H3	H1, H2, H3	H1, H2, H3	H2, H3
Fig.	Pos.	Name	QTY	Catalogue number				
6	1	Clutch complete (pos.8,9, 13)	1	170086	170087	170088	170089	170090
6	8	Disk	1	162192	162462	162462	162574	162369
6	9	Elastic body	1	170076	170077	170078	170079	170080
6	13	Disk	1	162194	162463	162463	162573	162959

Note: The assembly of the clutch 1 - Fig.6 as shown in fig.2 (pos.18).

4.2. Clutches for lifting height H4 , H5, H6 and H7

Table 4.2

Size				MH 3		MHM 4		MHM 5		MH 6		MH 7	
Lifting height				H4, H5		H4, H5		H4, H5		H4, H5		H4, H5, H6, H7	
Fig.	Pos.	Name	QTY	Catalogue number									
6	2	Clutch complete (pos.4-9,13)	1	140739	-	196110	-	195821	-	195307	-	170095	-
6	3	Clutch complete (pos.4-9,13,14)	1	-	140732	-	196111	-	195815	-	195301	-	170090
6	(4)	Bolt BDS 1234-85/5.6	2	1 M6x16		1 M6x25		1 M6x25		1 M8x25		-	
6	(5)	Washer BDS 833-82	2	2-6H		2-6H		2-6H		2-8H		-	
6	(6)	Washer BDS 206-78	2	AM6		AM6		AM6		AM8		-	
6	7	Supporting washer	1	140740	-	195822	-	195822	-	195308	-	-	
6	8	Disk	1	140735		259429		195817		195302		162239	
6	9	Elastic body	1	140728		196090		195811		195297		170080	
6	13	Disk	1	140741	140737	259437	259430	259437	195819	195309	195305	162959	162959
6	14	Gripping device	1	-	140733	-	195816	-	195816	-	195303	-	-

Note: 1. For electric hoist MH 3 - number of details with pos. 4, 5 and 6 is one less than the number shown in the table.

2. Assemblage of the clutches with pos. 2 and 3 of Fig.6 as shown in Fig.3 (according to pos. 18 and 21).

3. Catalogue numbers of details with positions 10,11,12,15 and 16 as shown in p.2.



4.3. Details, mounted to the electric motor

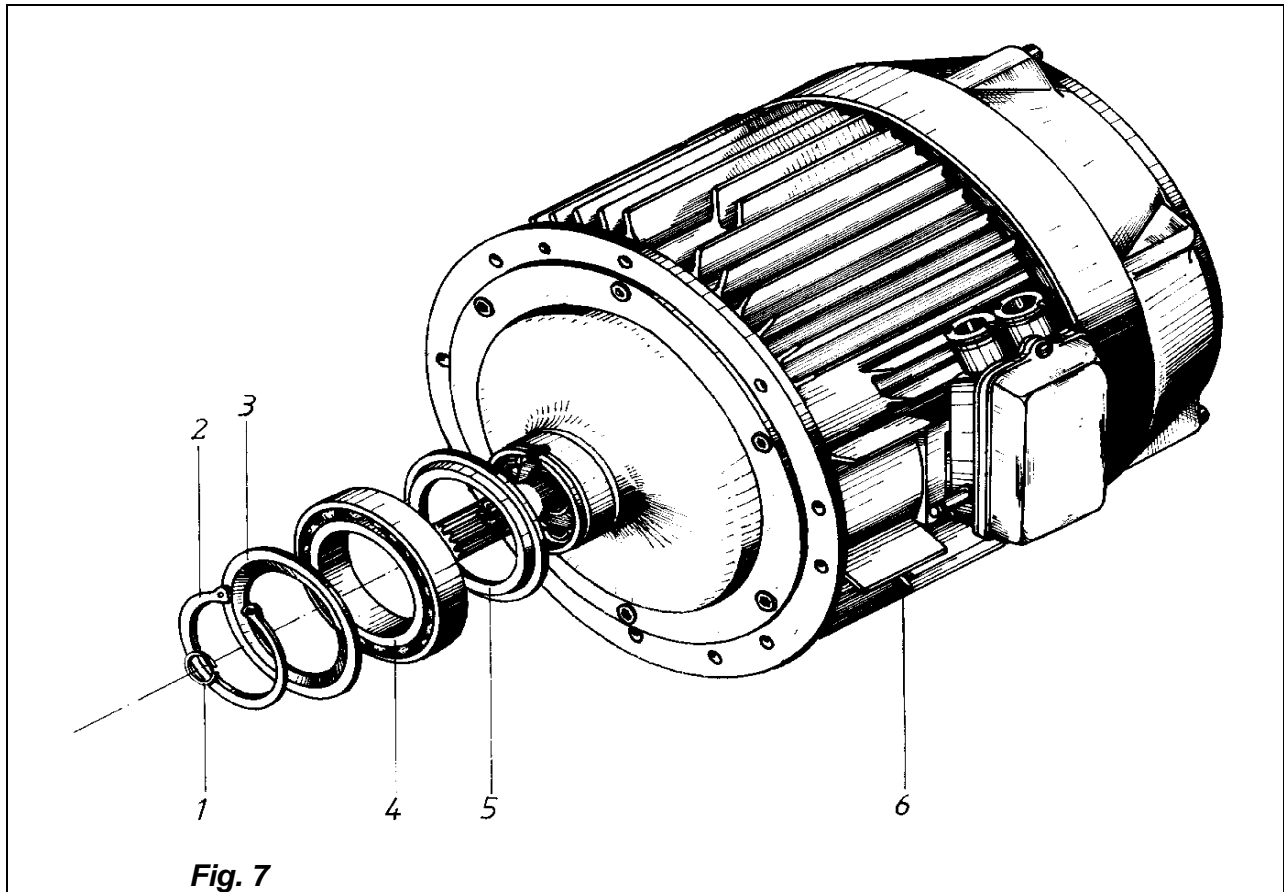


Fig. 7

Table 4.3

Size				MH 3	MHM 4	MHM 5	MH 6	MH 7
Fig.	Pos.	Name	QTY	Catalogue number				
7	1	Ring	2	-	197695	-	195203	-
7	(1)	Ring BDS 2170-77	2	-	-	-	-	B35
7	(2)	Ring BDS 2170-77	2	B75	B80	B80	B105	B120
7	3	Ring	1	160060	159816	159816	160177	158707
7	(4)	Bearing BDS 4843-84	1	6015	6016	6016	6016	6024
7	5	Ring	1	160060	159816	159816	160177	158707

5. HOOK SET

5.1. Hook complete for reeving 2/1

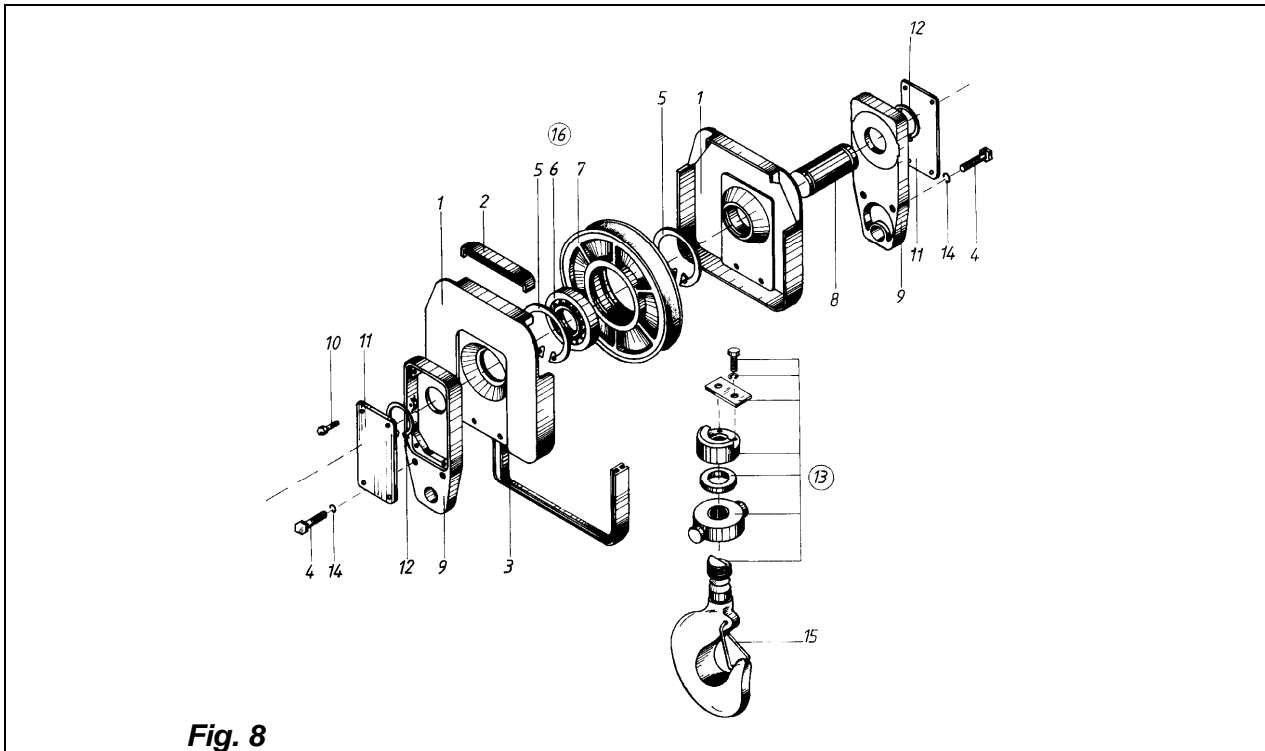


Fig. 8

Table 5.1

Size	MH 3	MHM 4	MHM 5	MH 6	MH 7			
Capacity, t	1	2	3.2	5	8			
Hook number acc. to DIN 15400	0.5	1	1.6	2.5	4			
Rope diameter - dr, mm	7	10	12	15	18			
Fig	Pos	Name	QTY	Catalogue number				
8		Hook complete - group 1Am (pos.1÷4, 8÷16)	1	-	-	-	-	828080
		Hook complete - group 2m (pos.1÷4, 8÷16)	1	828860	828639	828630	831969	-
8	1	Cover 160	2	826903	827707	827708	828357	828357
8	2	Profile 160	1	826832	827454	826758	826974	826974
8	3	Profile 160	1	826828	826969	826754	826973	826973
8	(4)	Screw BDS 2171-83/8.8	2	M6x75	M8x85	M10x95	M12x130	M12x130
8	16	Roller complete (pos.5-7)	1	826715	826716	828487	826962	828084
8	(5)	Ring BDS 2170-77	2	A72	A90	A110	-	-
		Ring BDS 2170-77	1	-	-	-	A130	A130
8	(6)	Bearing BDS 4884-85	1	6207-2z	6210-2z	6212-2z	-	-
		Bearing BDS 4884-85	2	-	-	-	6312-2z	6312-2z
8	7	Roller	1	826839	825962	826625	826963	828010
8	8	Axle 160	1	827710	827711	826488	828380	828380
8	9	Fixing plate 160	2	827703	827704	827705	828085	828085
8	(10)	Screw BDS 1338-85/5.8	8	BM4x5	BM4x5	BM4x5	BM4x5	BM4x5
8	11	Table 160 for group 1Am	2	-	-	-	-	828429
8	11	Table 160 for group 2m	2	829327	829538	829213	830076	-
8	(12)	Ring BDS 2170-77	2	B35	B50	B60	B60	B60
8	[13]	Hook with traverse	1	827360	827713	827714	828376	828082
8	(14)	Washer BDS 833-82	2	1-6H	1-8H	1-10H	1-12H	1-12H
8	15	Spring 161	1	827362	826834	827941	826788	826761



5.2. Hook complete for reeving 4/1

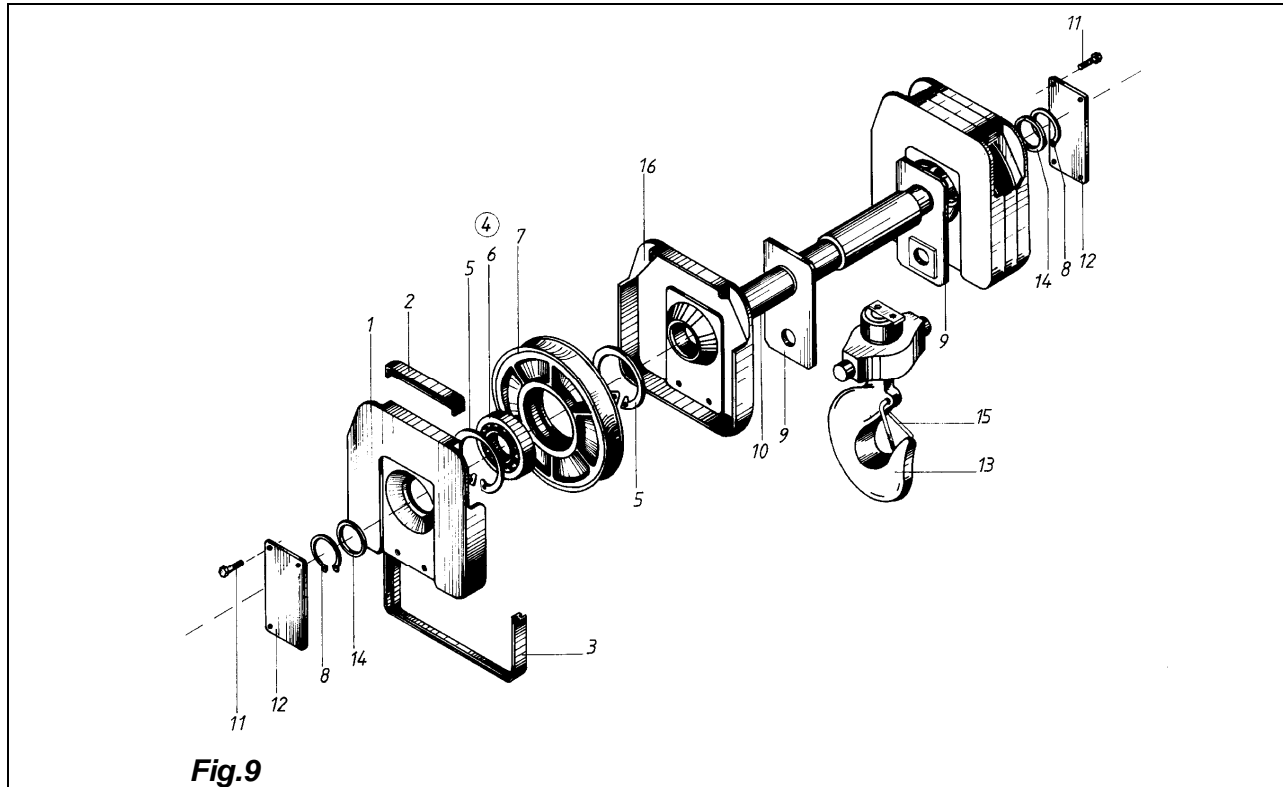


Table 5.2

Size	MH 3	MHM 4	MHM 5	MH 6	MH 7			
Capacity, t	2	4	6.3	10	16			
Hook number acc. to DIN15400	1	2.5	4	6	10			
Rope diameter - dr, mm	7	10	12	15	18			
Fig.	Pos.	Name	QTY	Catalogue number				
9		Hook complete - group 1Am (pos. 1+4, 8+16)	1	-	-	-	-	828081
9		Hook complete - group 2m (pos. 1+4, 8+16)	1	826739	826740	828502	829354	-
9	1	Cover 160	2	826903	826904	826757	826968	828357
9	2	Profile 160	2	826832	827454	826758	826974	826974
9	3	Profile 160	2	826828	826969	826754	826973	826973
9	4	Roller complete (pos. 5-7)	2	826715	826955	828390	826962	828084
9	(5)	Ring BDS 2170-77	1	-	-	A90	A130	A130
9	(5)	Ring BDS 2170-77	2	A72	A90	-	-	-
9	(6)	Bearing BDS 4884-85	2	-	-	6210-2z	6312-2z	6312-2z
9	(6)	Bearing BDS 4884-85	1	6207-2z	6210-2z	-	-	-
9	7	Roller 161	1	826839	826249	826626	826963	828010
9	(8)	Ring BDS 2170-77	2	B35	B35	B50	B60	B60
9	9	Fixing plate	2	826827	826930	826763	830192	826951
9	10	Axle 160	1	826902	826901	826498	831968	826499
9	(11)	Thread-cutting screw BDS 9283-71	8	M4x8-A	M4x8-A	M4x8-A	M4x8-A	M4x8-A
9	12	Table for group 1Am	2	-	-	-	-	826978
9		Table for group 2m	2	826829	826975	829826	830175	-
9	[13]	Hook with traverse	1	826894	826909	826786	826911	828083
9	14	Bush 160	6	826830	826900	-	826523	826523
9	15	Spring 161	1	826834	826788	826788	826917	827301
9	16	Cover 160	2	826903	826904	826757	826968	828357

6. TRAVEL MECHANISM - normal headroom

6.1. Travel mechanism without electric motor

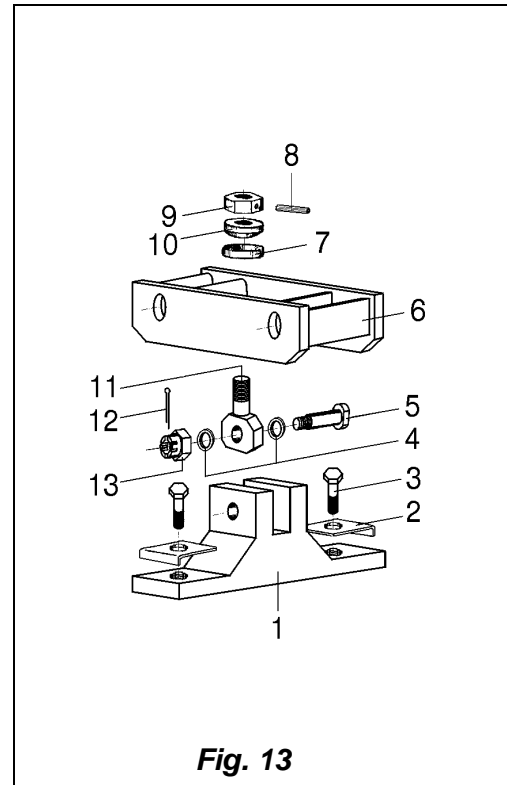
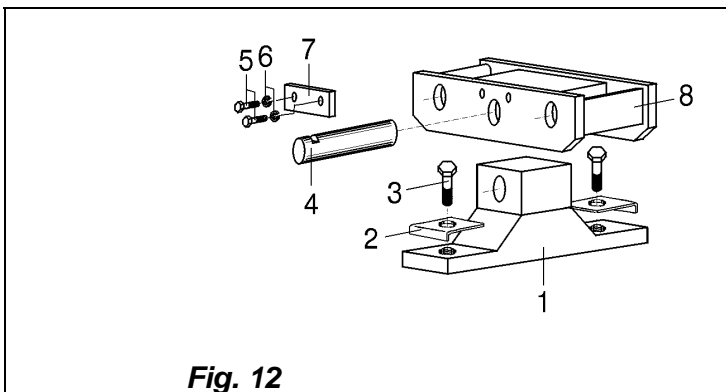
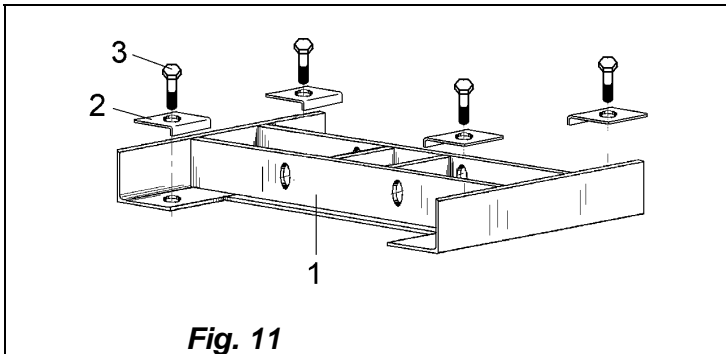
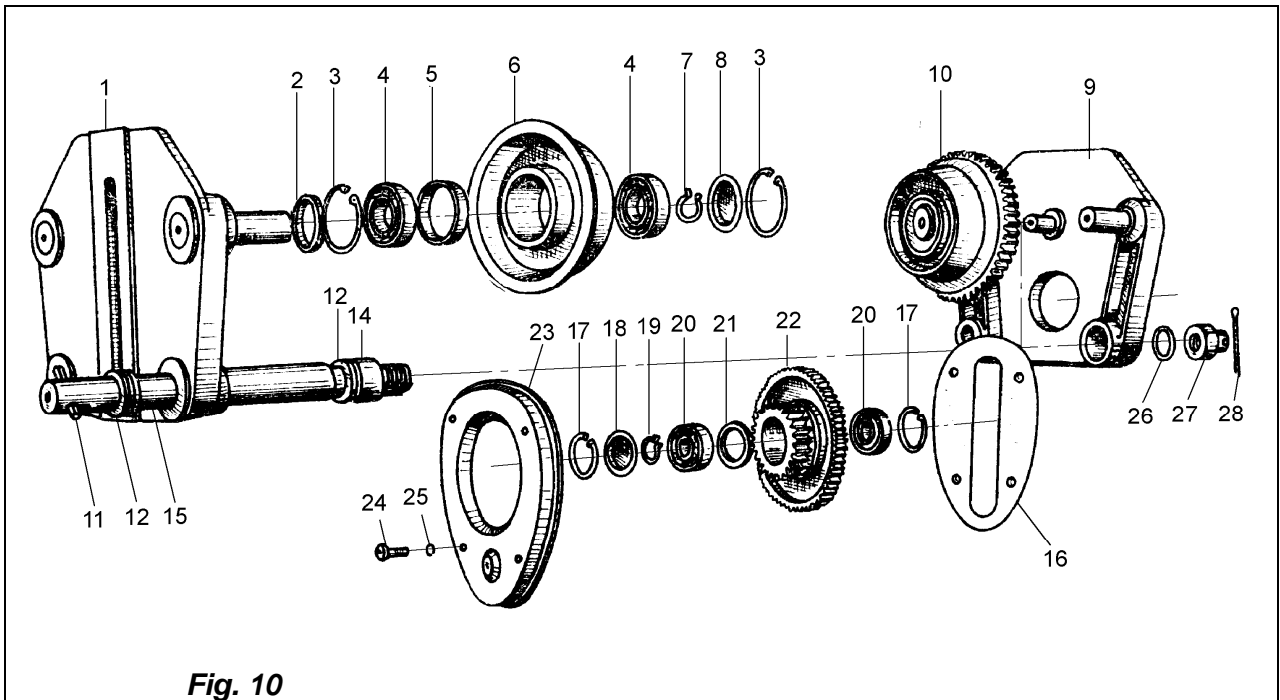


Table 6.1

Size	Reeving		2/1							4/1				
	Lifting height		H1	H2	H3	H4	H5	H6	H7	H3	H4	H5		
	Fig.	Name	Catalogue number											
MH 3	-	Technical data	Quantity of trolleys	1	1	1	2	2	-	-	1	2	2	
			Capacity, t	1						-		2		
			Date for profile	Profile width b = 90 ... 300										
	10	Travel mechanism, pos. 1 ÷ 28	- sloped	230026	578090	230026		-		578091	230026			
			- zero-sloped	578806	578807	578806		-		578809	578806			
	11	Trolley, complete	Frame	830000	830001	830002	-	-	-	-	204490	-	-	
	12		Non-hinge	-	-	-	101300		-		101300			
13	Hinge		-	-	-	102300		-		102300				
MHM 4	-	Technical data	Quantity of trolleys	1	1	1	2	2	-	-	1	2	2	
			Capacity, t	2						-		4		
			Date for profile	Profile width b = 130 ... 300										
	10	Travel mechanism, pos. 1 ÷ 28	- sloped	228976	578091	228976		-		578091	228976			
			- zero-sloped	578808	578809	578808		-		578809	578808			
	11	Trolley, complete	Frame	830005	830006	830007	-	-	-	-	204491	-	-	
	12		Non-hinge	-	-	-	321500		-		321500			
13	Hinge		-	-	-	322500		-		322500				
MHM 5	-	Technical data	Quantity of trolleys	1	1	1	2	2	-	-	1	2	2	
			Capacity, t	3.2						-		6.3		
			Date for profile	Profile width b = 130 ... 300										
	10	Travel mechanism, pos. 1 ÷ 28	- sloped	228976	578091	228976		-		578092	228976			
			- zero-sloped	578808	578809	578808		-		578811	578808			
	11	Trolley, complete	Frame	830010	830011	830012	-	-	-	-	204492	-	-	
	12		Non-hinge	-	-	-	321500		-		321500			
13	Hinge		-	-	-	322500		-		322500				
MH 6	-	Technical data	Quantity of trolleys	1	1	1	2	2	2	2	2	2	2	
			Capacity, t	5						-		10		
			Date for profile	Profile width b = 150 ... 300										
	10	Travel mechanism, pos. 1 ÷ 28	- sloped	230031	578092	228976				230031				
			- zero-sloped	578810	578811	578808				578810				
	11	Trolley, complete	Frame	-	830016	830017	-				-			
	12		Non-hinge	-	-	-	321600				501600			
13	Hinge		-	-	-	322600				502600				
MH 7	-	Technical data	Quantity of trolleys	-	2	2	2	2	2	2	-	-	-	
			Capacity, t	-	8						-		-	
			Date for profile	Profile width b=150 ... 300										
	10	Travel mechanism, pos. 1 ÷ 28	- sloped	-	230031					-		-		
			- zero-sloped	-	578810					-		-		
	11	Trolley, complete	Frame	-	-					-		-		
	12		Non-hinge	-	501700					-		-		
13	Hinge		-	502700					-		-			



6.1.1. Trolley

Table 6.2

Profile					230026	578090	228976	578091	230031	578092
					578806	578807	578808	578809	578810	578811
Fig.	Pos.	Name	QTY	Lifting height	Catalogue number					
10	1	Driven side wall with axles	1	H1 – H5	244467	244481	244482	244409	244493	244494
10	2	Cap	4	H1 – H5	192596		148890		148893	
10	(3)	Ring BDS 2170-77	8	H1 – H5	A52		A80		A100	
10	(4)	Bearing BDS 4843-84	8	H1 – H5	6205		6208		6309	
10	5	Space bush	4	H1 – H5	192611		148892		149004	
10	6	Driven travel wheel for sloped profile	2	H1 – H5	192565		148897		149009	
10	6	Driven travel wheel for zero-sloped profile	2	H1 – H5	192567		135121		135125	
10	(7)	Ring BDS 2170-77	4	H1 – H5	B25		B40		B45	
10	8	Cap	4	H1 – H5	192597		148891		148994	
10	9	Driving side wall with axles	1	H1 – H5	244466	244480	244478	244479	242126	242127
10	10	Driving travel wheel for sloped profile	2	H1 – H5	192570		148859		149003	
10	10	Driving travel wheel for zero-sloped profile	2	H1 – H5	192571		135119		135123	
10	11	Cylindrical pin	2	H1 – H5	192559		148909		148989	
10	12	Washer	36	H1 – H5	192563		-		-	
10	12	Washer	48	H1 – H5	-		148901		-	
10	12	Washer	40	H1 – H5	-		-		148986	
10	14	Bush set								
10	14	Bush	10	H1 – H5	241643		-		-	
10	14	Bush	4	H1 – H5	192558		241642		241641	
10	14	Bush	6	H1 – H5	-		148902		148987	
10	15	Stud	2	H1 – H5	192758		192764		135530	
10	16	Gasket	1	H1 – H5	192598		148888		247278	
10	(17)	Ring BDS 2170-77	2	H1 – H5	A40		A47		A47	
10	18	Cap	1	H1 – H5	192595		148887		148887	
10	(19)	Ring BDS 2170-77	1	H1 – H5	B20		B20		B25	
10	(20)	Bearing BDS 4843-84	2	H1 – H5	6203		6204		6205	
10	21	Space bush	1	H1 – H5	-		148657		242161	
10	22	Gear wheel block	1	H1 – H5	192561		148856		242158	
10	23	Cover	1	H1 – H5	192599		244484		244495	
10	(24)	Screw BDS 832-82	4	H1 – H5	M6x30		-		-	
10	(24)	Screw BDS 1358-85/5.8	4	H1 – H5	-		2M8x35		1 M8x40	
10	(25)	Spring washer BDS 833-82	4	H1 – H5	2-6H		2-8H		2-8H	
10	(26)	Washer BDS 206-78	2	H1 – H5	AM24		AM30		AM30	
10	(27)	Nut BDS 745-78	2	H1 – H5	II M24		II M30		II M30	
10	(27)	Nut BDS 1250-71	2	H1 – H5	I M24		I M30		-	
10	(28)	Cotter pin BDS 55-77	2	H1 – H5	5x40		6.3x50		6.3x50	

6.1.2. Travel mechanism with one trolley

Table 6.3

Size					MH 3		MHM 4		MHM 5		MH 6
Reeving					2/1	4/1	2/1	4/1	2/1	4/1	2/1
Fig.	Pos.	Name	QTY	Lifting height	Catalogue number						
11	1	Frame	1	H1	830000	-	830005	-	830010	-	-
				H2	830001	-	830006	-	830011	-	830016
				H3	830002	204490	830007	204491	830012	204492	830017
11	(2)	Washer BDS 1275-74	4	H1 – H3	14-2		20-2		20-2		24-2
11	(3)	Bolt BDS 1234/75/8.8	4	H1 – H3	M14x50		M20x60		M20x60		M24x70



6.1.3. Travel mechanism with two trolley's - non-hinge

Table 6.4

Size				MH 3	MH4; MHM 5	MH 6		MH 7
Reeving				2/1; 4/1	2/1; 4/1	2/1	4/1	2/1
Lifting height				H4, H5	H4, H5	H4 – H6	H3 – H5	H2 – H7
Fig.	Pos.	Name	QTY	Catalogue number				
12		Trolley complete, pos. 1 8	1	101300	321500	321600	501600	501700
12	1	Carrier	1	101301	321501	321601	501601	501701
12	(2)	Washer BDS 1275-74	4	14-2	20-2	24-2		24-2
12	(3)	Bolt BDS 1234/75/8.8	4	M14x50	M20x60	M24x70		M24x80
12	4	Axle	2	101302	321502	321502	501602	501602
12	(5)	Bolt BDS 1234/75/8.8	4	M8x16	M10x20	M10x20	M12x20	M12x20
12	(6)	Spring washer BDS 833-82	4	2-8H	2-10H	2-10H	2-12H	2-12H
12	(7)	Plate BDS 2348-81	2	25	35	35	45	45
12	8	Frame	2	101303	321503	321503	501603	501603

6.1.4. Travel mechanism with two trolley's - hinge

Table 6.5

Size				MH 3	MH4; MHM 5	MH 6		MH 7
Reeving				2/1; 4/1	2/1; 4/1	2/1	4/1	2/1
Lifting height				H4, H5	H4, H5	H4 – H6	H3 – H5	H2 – H7
Fig.	Pos.	Name	QTY	Catalogue number				
13		Trolley complete, pos. 1 13	1	102300	322500	322600	502600	502700
13	1	Carrier	1	102301	322501	322601	502601	502701
13	(2)	Washer BDS 1275-74	4	14-2	20-2	24-2		24-2
13	(3)	Bolt BDS 1234/75/8.8	4	M14x50	M20x60	M24x70		M24x80
13	4	Bush	4	102304	322504	322604	502604	502704
13	5	Bolt	2	102302	322502	322502	502602	502602
13	6	Frame	2	102303	322503	322503	502603	502603
13	7	Washer	2	102305	322505	322505	502605	502605
13	(8)	Pin BDS 1980-78	2	∅6h11x55	∅8h11x73	∅8h11x75	∅8h11x115	∅8h11x115
13	9	Nut	2	102306	322506	322506	502606	502606
13	10	Washer	2	102307	322507	322507	502607	502607
13	11	Bolt	2	102308	322508	322508	502608	502608
13	(12)	Cotter pin BDS 55-77	2	∅5x45	∅6,3x60	∅6,3x60	∅8x80	∅8x80
13	(13)	Nut BDS 1272-84/5	2	M24	M30	M30	M42	M42

6. 2. Drive

Table 6.6

Fig.	Travel speed, m/min	Trolley							
		Date for profile	sloped	230026	578090	228976	578091	230031	578092
			zero-sloped	578806	578807	578808	578809	578810	578811
Name		Catalogue number							
15	8	Unit with electric motor	254460			254453			
	10	Unit with electric motor	254461			254454			
	12	Unit with electric motor	254462			254455			
	15	Unit with electric motor	254463			254456			
14	20	Electric motor	KK1204-6A			KK1405-6A		KK1407-6A	
	32	Electric motor	KK1204-4A			KK1405-4A		KK1407-4A	
15	12/4	Unit with electric motor	254457			254450			
	15/5	Unit with electric motor	254458			254451			
	20/6.5	Unit with electric motor	254459			254452			
14	32/10	Electric motor	KK1405-12/4A			KK1407-12/4A		KK1606-12/4A	



6.2.1. Drive without unit – for travel speeds 20; 32 and 32/10 m/min

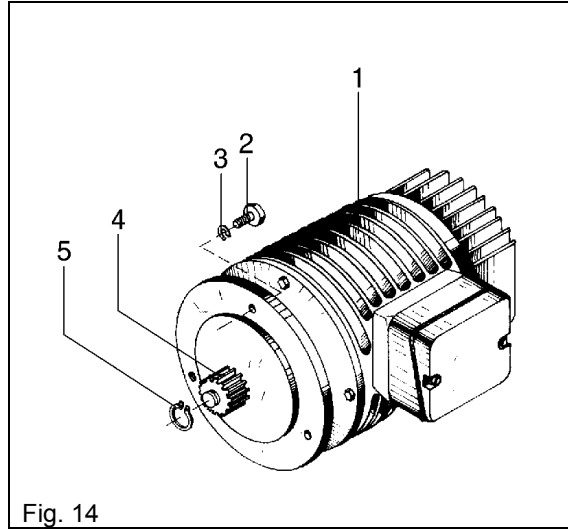


Fig. 14

Table 6.7

Fig.	Pos.			Trolley									
		Date for profile	sloped	230026	578090	228976	578091	230031	578092				
			zero-sloped	578806	578807	578808	578809	578810	578811				
		Travel speed, m/min		20		32		20		32		20	
				32/10		32		32/10		32		32/10	
		Name	QTY	Catalogue number									
14	1	Electric motor	1	KK 1204 – 6A	KK 1405 – 6A	KK 1407 – 6A							
				KK 1204 – 4A	KK 1405 – 4A	KK 1407 – 4A							
				KK1405 – 12/4A	KK 1407 – 12/4A	KK 1606 – 12/4A							
14	(2)	Bolt BDS 1230-85/6.6	3	I M6x20	I M8x20	I M8x20							
14	(3)	Spring washer BDS 833-82	3	2-6H	2-8H	2-8H							
14	4	Gear wheel	1	192553	148899	148899							
14	5	Safety ring	1	292557	-	-							
14	(5)	Ring BDS 2170-77	1	-	B12	B12							

6.2.2. Drive wiht unit – for travel speeds 8; 10; 12; 15 and 12/4; 15/5; 20/6,5 m/min

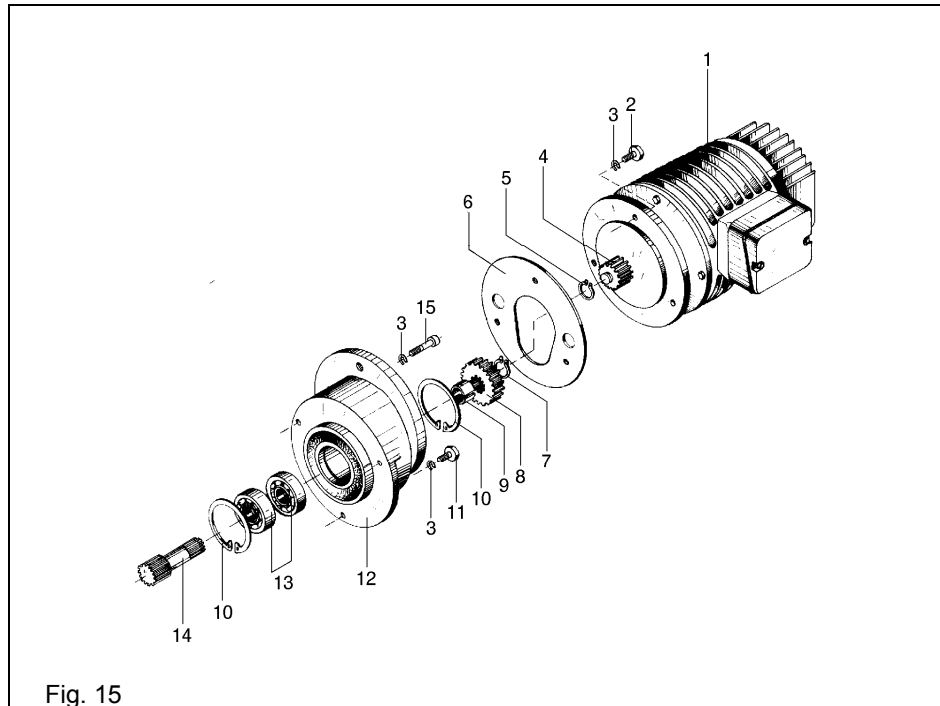


Fig. 15

Table 6.8

Fig.	Travel speed, m/min			12/4	8	15	12/4	8	15
	Unit wiht electric motor			15/5 20/6,5	10 12	15	15/5 20/6,5	10 12	15
Pos.	Name	QTY	Catalogue number						
15	(1) Electric motor - type	1	KK1405-12/4A	KK1204-6A	KK1204-4A	KK1407-12/4A	KK1405-6A	KK1405-4A	
15	(2) Bolt BDS 1230-85/6.8	3	I M6x20			I M8x20			
15	(3) Spring washer BDS 833-82	6	2-6H			2-8H			
15	4 Gear wheel	1	192553 254496 254497	192553 254496 254497	254497	148899 254494 254495	148899 254494 254495	254494	
15	5 Safety ring	1	292557			-			
15	(5) Ring BDS 2170-77	1	-			B12			
15	6 Gasket	1	254481			254480			
15	(7) Ring BDS 2170-77	1	B20			B20			
15	8 Gear wheel	1	254491 254492 254493	254491 254492 254493	254492	254488 254489 254490	254488 254489 254490	254489	
15	9 Bush	1	254487			254486			
15	(10) Ring BDS 2170-77	2	A42			A47			
15	(11) Bolt BDS 1230-85/6.8	1	I M6x20			I M8x20			
15	12 Body	1	254483			254482			
15	(13) Bearing BDS4843-84	2	6004			6204			
15	14 Shaft of gear wheel	1	254485			254484			
15	(15) Screw BDS 2171-83/6.8	2	I M6x55			I M8x60			



7. TRAVEL MECHANISM – reduced headroom

7.1. Reeving 2/1

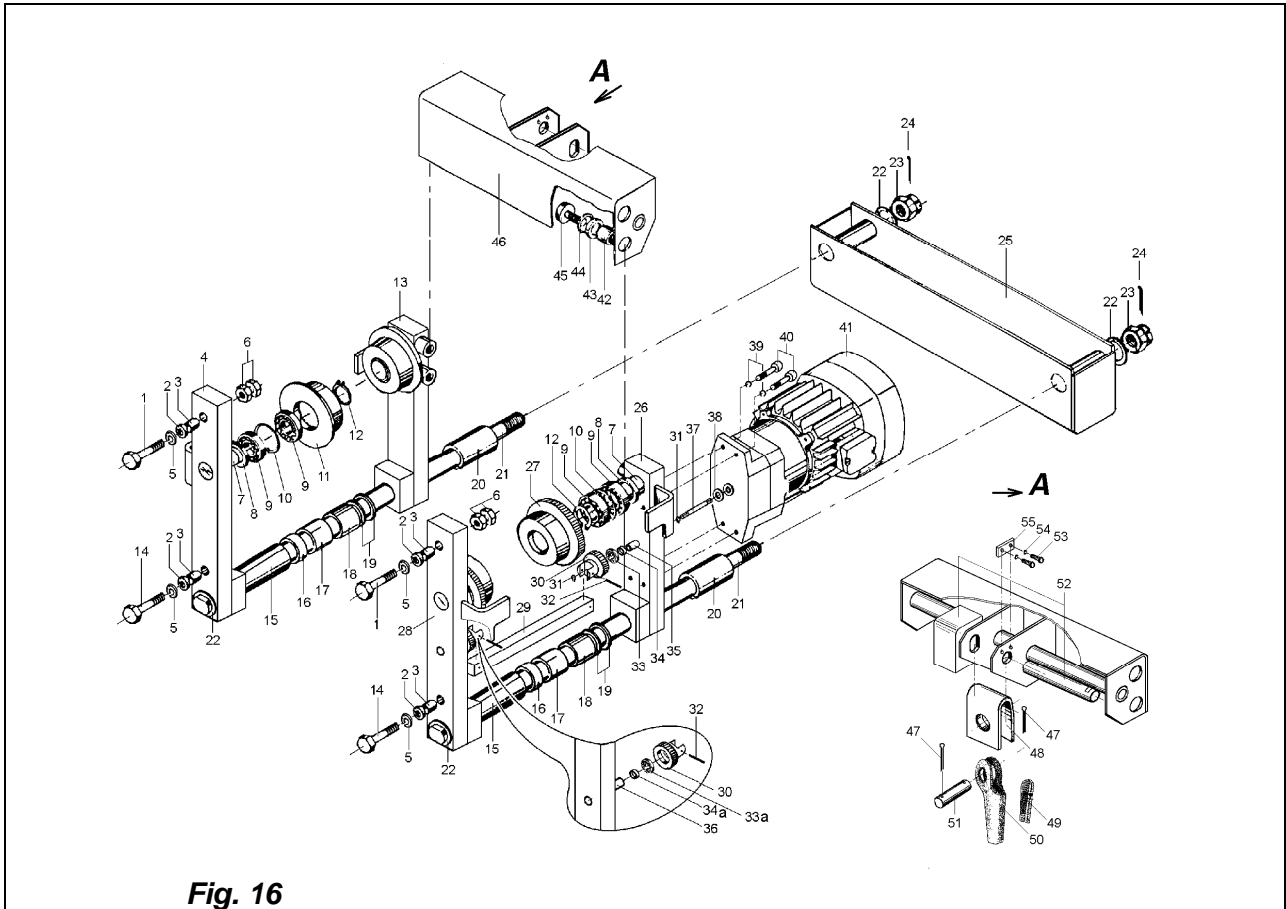


Fig. 16

7.1.1. Modifications

Table 7.1

Size	Travel speed		Catalogue number						
	Symbol	m/min	H1	H2	H3	H4	H5	H6	H7
MH 3	V1	12	382 000 11	382 000 12	382 000 13	382 000 14	382 000 15	-	-
		12/4	382 000 41	382 000 42	382 000 43	382 000 44	382 000 45	-	-
	V2	16	382 000 21	382 000 22	382 000 23	382 000 24	382 000 25	-	-
		16/5.5	382 000 51	382 000 52	382 000 53	382 000 54	382 000 55	-	-
	V3	20	382 000 31	382 000 32	382 000 33	382 000 34	382 000 35	-	-
		20/6.5	382 000 61	382 000 62	382 000 63	382 000 64	382 000 65	-	-
MHM 4	V1	12	482 000 11	482 000 12	482 000 13	482 000 14	482 000 15	-	-
		12/4	482 000 41	482 000 42	482 000 43	482 000 44	482 000 45	-	-
	V2	16	482 000 21	482 000 22	482 000 23	482 000 24	482 000 25	-	-
		16/5.5	482 000 51	482 000 52	482 000 53	482 000 54	482 000 55	-	-
	V3	20	482 000 31	482 000 32	482 000 33	482 000 34	482 000 35	-	-
		20/6.5	482 000 61	482 000 62	482 000 63	482 000 64	482 000 65	-	-
MHM 5	V1	12	582 000 11	582 000 12	582 000 13	582 000 14	582 000 15	-	-
		12/4	582 000 41	582 000 42	582 000 43	582 000 44	582 000 45	-	-
	V2	16	582 000 21	582 000 22	582 000 23	582 000 24	582 000 25	-	-
		16/5.5	582 000 51	582 000 52	582 000 53	582 000 54	582 000 55	-	-
	V3	20	582 000 31	582 000 32	582 000 33	582 000 34	582 000 35	-	-
		20/6.5	582 000 61	582 000 62	582 000 63	582 000 64	582 000 65	-	-
MH 6	V1	12	-	682 000 12	682 000 13	682 000 14	682 000 15	-	-
		-	-	-	-	-	-	-	-
	V2	16	-	682 000 22	682 000 23	682 000 24	682 000 25	-	-
		16/5.5	-	682 000 42	682 000 43	682 000 44	682 000 45	-	-
	V3	20	-	682 000 32	682 000 33	682 000 34	682 000 35	-	-
		20/6.5	-	682 000 62	682 000 63	682 000 64	682 000 65	-	-
MH 7	V1	12	-	782 000 12	782 000 13	782 000 14	782 000 15	782 000 16	782 000 17
		12/4	-	782 000 42	782 000 43	782 000 44	782 000 45	782 000 46	782 000 47
	V2	16	-	782 000 22	782 000 23	782 000 24	782 000 25	782 000 26	782 000 27
		-	-	-	-	-	-	-	-
	V3	20	-	782 000 32	782 000 33	782 000 34	782 000 35	782 000 36	782 000 37
		20/6.5	-	782 000 62	782 000 63	782 000 64	782 000 65	782 000 66	782 000 67



7.1.2. Details, available in all modifications

Table 7.2

Size				MH 3	MHM 4	MHM 5	MH 6	MH 7
Capacity, t				1	2	3,2	5	8
Driven travel wheel diameter, mm				100	125	125	160	200
Rope diameter, mm				7	10	12	15	18
Fig.	Pos.	Name	QTY	Catalogue number				
16	(1)	Bolt BDS 1234-85/8.8	2	2 M12 x 60	2 M14 x 70	2 M14 x 70	2 M16 x 100	2 M20 x 105
16	(2)	Washer BDS 206-78	4	A M12	A M14	A M14	A M16	A M20
16	3	Bush	4	482 002 00	584 002 00	584 002 00	682 002 00	782 002 00
16	[4]	Carrier	1	382 610 00	482 610 00	482 610 00	682 610 00	782 610 00
16	(5)	Spring washer BDS 833-82	4	2 12H	2 14H	2 14H	2 16H	2 20H
16	(6)	Nut BDS 744-91/8	4	1 M12	1 M14	1 M14	1 M16	1 M20
16	7	Axle	4	382 103 00	482 103 00	482 103 00	584 103 00	684 103 00
16	8	Space bush	4	382 104 00	482 104 00	482 104 00	584 104 00	684 104 00
16	(9)	Bearing BDS 4884-85	8	6206 z	6208 z	6208 z	6209 z	6311 z
16	(10)	Ring BDS 2170-77	4	A 62	A 80	A 80	A 100	A 120
16	11	Driven travel wheel	2	382 521 00	482 521 00	482 521 00	584 521 00	684 521 00
16	(12)	Ring BDS 2170-77	4	B 30	B 40	B 40	B 45	B 55
16	[13]	Carrier	1	382 510 00	482 510 00	482 510 00	682 510 00	782 510 00
16	(14)	Bolt BDS 1234-85/8.8	2	2 M12 x 50	2 M14 x 60	2 M14 x 60	2 M16 x 65	1 M20 x 70
16	15	Bush	2	382 006 00	482 006 00	482 006 00	682 006 00	782 006 00
16	16	Bush	4	382 007 00	-	-	-	-
		Bush	2	-	482 007 00	482 007 00	-	-
16	17	Bush	2	382 008 00	482 008 00	582 008 00	682 008 00	782 008 00
16	18	Bush	2	382 009 00	482 009 00	582009 00	682 009 00	782 009 00
16	19	Washer	8	382 010 00	-	-	-	-
		Washer	12	-	482 010 00	482 010 00	-	-
		Washer	20	-	-	-	682 010 00	782 010 00
16	20	Bush	2	382 011 00	482 010 00	482 010 00	682 011 00	782 011 00
16	21	Stud	2	382 012 00	482 012 00	482 012 00	682 012 00	782 012 00
16	(22)	Washer BDS 206-78	4	A M30	A M42	A M42	A M42	A M42
16	(23)	Nut BDS 745-82/5	2	2B M30	-	-	-	-
		Nut DIN 935	2	-	M 42x3 – 5	M 42x3 – 5	M 42x3 – 5	M 42x3 – 5
16	(24)	Cotter pin BDS 55-77	2	6,3x50	8x80	8x80	8x80	8x80
16	[25]	Counterweight box	1	Table 7.6				
16	[26]	Carrier	1	382 110 00	482 110 00	482 110 00	682 110 00	782 110 00
16	27	Driving travel wheel	2	382 211 00	482 211 00	482 211 00	584 211 00	684 211 00
16	[28]	Carrier	1	382 210 00	482 210 00	482 210 00	682 210 00	782 210 00
16	29	Shaft	1	382 001 00	482 001 00	482 001 00	684 001 00	784 001 00
16	30	Gear wheel	2	382 131 00	482 131 00	482 131 00	584 131 00	684 131 00
16	(31)	Ring BDS 2170-77	2	B 20	B 20	B 20	B 25	B 30
16	(32)	Spring pin DIN 1481	2	6 x 40	6 x 45	6 x 55	8 x 65	8 x 70
16	(33)	Bearing BDS 4884-85	1	61905	6005 z	6005 z	6006 z	6007 z
16	(33A)		1	6004 z	6005 z	6005 z	6006 z	6007 z
16	34	Bush	1	-	-	-	584 106 00	684 106 00
16	34A		1	382 106 00	482 106 00	482 106 00	584 106 00	684 106 00
16	35	Axle	1	382 102 00	482 102 00	482 102 00	682 102 00	684 102 00
16	36	Axle	1	382 201 00	482 201 00	482 201 00	584 201 00	784 201 00
16	37	Shaft	1	382 105 00	482 105 00	482 105 00	682 105 00	782 105 00
16	38	Bush	1	382 101 00	382 101 00	382 101 00	684 101 00	784 101 00
16	(38)	Spring washer BDS 833-82	4	2 8H	2 8H	2 8H	2 8H	2 10H
16	(40)	Screw BDS 2171-83	4	M 8 x 25	M 8 x 25	M 8 x 25	M 8 x 25	M 10 x 25
16	[41]	Gearmotor	1	Table 7.5				
16	42	Bush	4	382 002 00	482 002 00	482 002 00	682 002 00	782 002 00
16	(43)	Washer BDS 206-78	4	A M10	A M12	A M12	A M16	A M20
16	(44)	Spring washer BDS 833-82	4	2 10H	2 12H	2 12H	2 16H	2 20H
16	45	Bolt BDS 1234-85/8.8	2	1 M10 x 35	1 M12 x 45	1 M12 x 45	1 M16 x 45	1 M20 x 60
16	[46]	Frame	1	Table 7.6				
16	(47)	Cotter pin BDS 55-77	2	4 x 20	5 x 28	5 x 28	5 x 32	6,3 x 40
16	48	Carrier	1	382 013 00	482 013 00	582 013 00	682 013 00	782 013 00
16	49	Wedge	1	382 014 00	482 014 00	582 014 00	682 014 00	782 014 00
16	50	Wedge bush	1	382 015 00	482 015 00	582 015 00	682 015 00	782 015 00
16	51	Axle	1	382 016 00	482 016 00	582 016 00	682 016 00	782 016 00
16	52	Load limiter	1	577182 577110	576623	829698	577113	577114
16	(53)	Bolt BDS 1234-85/6.6	2	M 6 x 12	M 6 x 12	M 6 x 12	M 6 x 12	M 6 x 12
16	(54)	Spring washer BDS 833-82	2	2 6H	2 6H	2 6H	2 6H	2 6H
16	55	Plate	1	382 017 00	482 017 00	582 017 00	682 017 00	782 017 00



7.2. Reeving 4/1

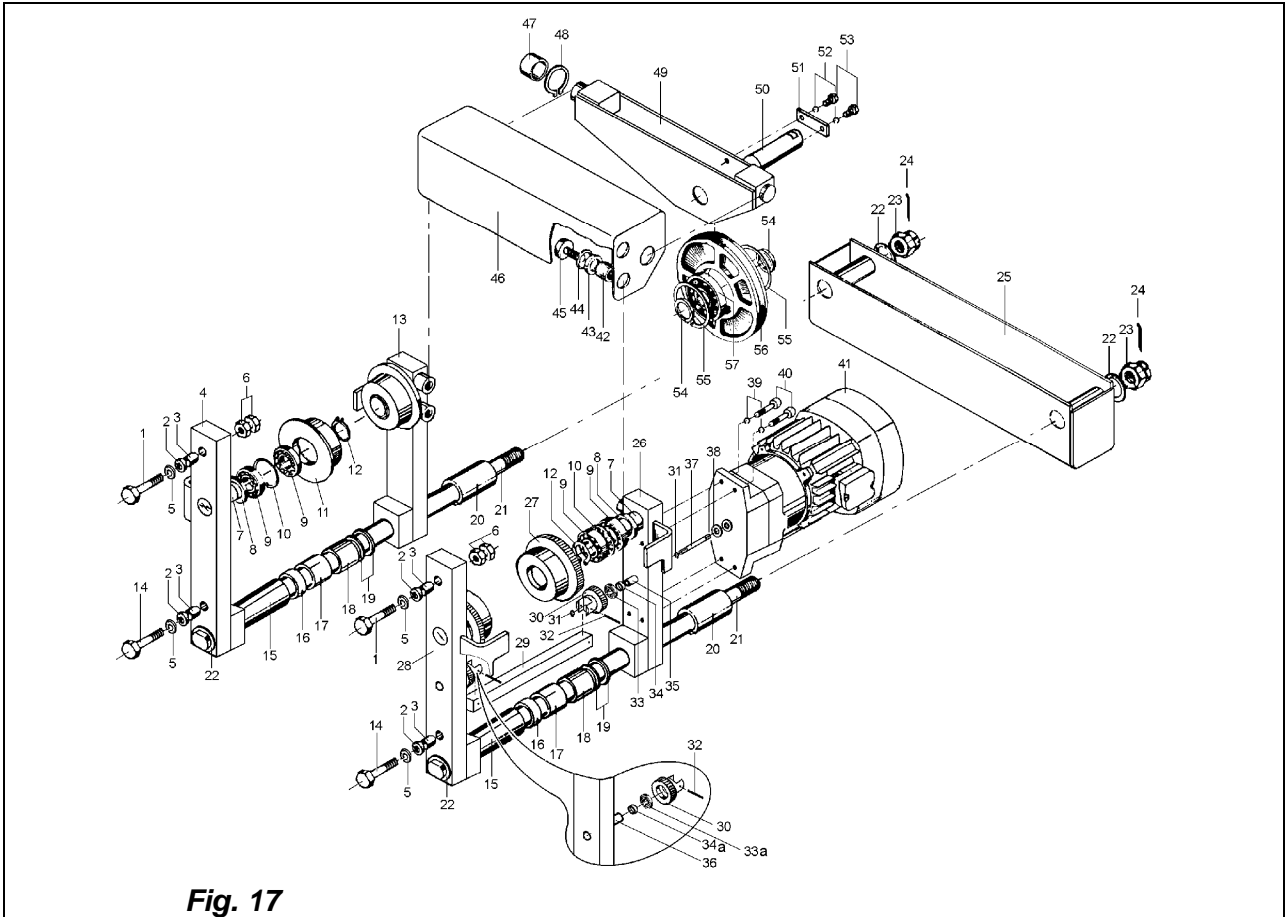


Fig. 17

7.2.1. Modifications

Table 7.3

Size	Travel speed		Catalogue number						
	Symbol	m/min	H1	H2	H3	H4	H5	H6	H7
MH 3	V1	12	-	-	384 000 13	384 000 14	384 000 15	-	-
		12/4	-	-	384 000 43	384 000 44	384 000 45	-	-
	V2	16	-	-	384 000 23	384 000 24	384 000 25	-	-
		16/5.5	-	-	384 000 53	384 000 54	384 000 55	-	-
	V3	20	-	-	384 000 33	384 000 34	384 000 35	-	-
		20/6.5	-	-	384 000 63	384 000 64	384 000 65	-	-
MHM 4	V1	12	-	-	484 000 13	484 000 14	484 000 15	-	-
		12/4	-	-	484 000 43	484 000 44	484 000 45	-	-
	V2	16	-	-	484 000 23	484 000 24	484 000 25	-	-
		16/5.5	-	-	484 000 53	484 000 54	484 000 55	-	-
	V3	20	-	-	484 000 33	484 000 34	484 000 35	-	-
		20/6.5	-	-	484 000 63	484 000 64	484 000 65	-	-
MHM 5	V1	12	-	-	584 000 13	584 000 14	584 000 15	-	-
		16	-	-	584 000 23	584 000 24	584 000 25	-	-
	V2	16/5.5	-	-	584 000 53	584 000 54	584 000 55	-	-
		20	-	-	584 000 33	584 000 34	584 000 35	-	-
	V3	20/6.5	-	-	584 000 63	584 000 64	584 000 65	-	-
		-	-	-	-	-	-	-	-
MH 6	V1	12	-	-	684 000 13	684 000 14	684 000 15	-	-
		12/4	-	-	684 000 43	684 000 44	684 000 45	-	-
	V2	16	-	-	684 000 23	684 000 24	684 000 25	-	-
		-	-	-	-	-	-	-	-
	V3	20	-	-	684 000 33	684 000 34	684 000 35	-	-
		20/6.5	-	-	684 000 63	684 000 64	684 000 65	-	-
MH 7	V1	8	-	-	-	784 000 14	784 000 15	784 000 16	784 000 17
		8/2.5	-	-	-	784 000 44	784 000 45	784 000 46	784 000 47
	V2	10	-	-	-	784 000 24	784 000 25	784 000 26	784 000 27
		10/3.3	-	-	-	784 000 54	784 000 55	784 000 56	784 000 57
	V3	12	-	-	-	784 000 34	784 000 35	784 000 36	784 000 37
		12/4	-	-	-	784 000 64	784 000 65	784 000 66	784 000 67



7.2.2. Details, available in all modifications

Table 7.4

Size		MH 3	MHM 4	MHM 5	MH 6	MH 7		
Capacity, t		2	4	6,3	10	16		
Driven travel wheel diameter, mm		100	125	160	200	250		
Rope diameter, mm		7	10	12	15	18		
Fig.	Pos.	Name	QTY	Catalogue number				
17	(1)	Bolt BDS 1234-85/8.8	2	2 M12 x 60	2 M14 x 70	2 M14 x 80	2 M16 x 100	2 M20 x 110
17	(2)	Washer BDS 206-78	4	A M12	A M14	A M14	A M16	A M20
17	3	Bush	4	482 002 00	584 002 00	584 002 00	682 002 00	782 002 00
17	[4]	Carrier	1	382 610 00	482 610 00	584 610 00	684 610 00	784 610 00
17	(5)	Spring washer BDS 833-82	4	2 12H	2 14H	2 14H	2 16H	2 20H
17	(6)	Nut BDS 744-91/8	4	I M12	I M14	I M14	I M16	I M20
17	7	Axle	4	382 103 00	482 103 00	584 103 00	684 103 00	784 103 00
17	8	Space bush	4	382 104 00	482 104 00	584 104 00	684 104 00	784 104 00
17	(9)	Bearing BDS 4884-85	8	6206 z	6208 z	6209 z	6311 z	6313 z
17	(10)	Ring BDS 2170-77	4	A 62	A 80	A 100	A 120	A 140
17	11	Driven travel wheel	2	382 521 00	482 521 00	584 521 00	684 521 00	784 521 00
17	(12)	Ring BDS 2170-77	4	B 30	B 40	B 45	B 55	B 65
17	[13]	Carrier	1	382 510 00	482 510 00	584 510 00	684 510 00	784 510 00
17	(14)	Bolt BDS 1234-85/8.8	2	2 M12 x 50	2 M14 x 60	2 M14 x 60	2 M16 x 65	2 M20 x 70
17	15	Bush	2	382 006 00	482 006 00	584 006 00	684 006 00	784 006 00
17	16	Bush	4	382 007 00	-	-	-	-
		Bush	2	-	482 007 00	-	-	-
17	17	Bush	2	382 008 00	482 008 00	584 008 00	684 008 00	784 008 00
17	18	Bush	2	382 009 00	482 009 00	584 009 00	684 009 00	784 009 00
17	19	Washer	8	382 010 00	-	-	-	-
		Washer	12	-	482 010 00	-	-	-
		Washer	20	-	-	584 010 00	682 010 00	784 010 00
17	20	Bush	2	382 011 00	482 011 00	584 011 00	684 011 00	784 011 00
17	21	Stud	2	382 012 00	482 012 00	584 012 00	684 012 00	784 012 00
17	(22)	Washer BDS 206-78	4	A M30	A M42	A M42	A M42	A M42
17	(23)	Nut BDS 745-82/5	2	2B M30	-	-	-	-
		Nut DIN 935	2	-	M 42x3 – 5	M 42x3 – 5	M 42x3 – 5	M 42x3 – 5
17	(24)	Cotter pin BDS 55-77	2	6,3x50	8x80	8x80	8x80	8x80
17	[25]	Counterweight box	1	Table 7.6				
17	[26]	Carrier	1	382 110 00	482 110 00	584 110 00	684 110 00	784 110 00
17	27	Driving travel wheel	2	382 211 00	482 211 00	584 211 00	684 211 00	784 211 00
17	[28]	Carrier	1	382 210 00	482 210 00	584 210 00	684 210 00	784 210 00
17	29	Shaft	1	382 001 00	482 001 00	584 001 00	682 001 00	784 001 00
17	30	Gear wheel	2	382 131 00	482 131 00	584 131 00	684 131 00	784 131 00
17	(31)	Ring BDS 2170-77	2	B 20	B 20	B 20	B 25	B 30
17	(32)	Spring pin DIN 1481	2	6 x 40	6 x 45	6 x 55	8 x 65	8 x 70
17	(33)	Bearing BDS 4884-85	1	61905	6005 z	6006 z	6007 z	6008 z
17	(33A)	Bearing BDS 4884-85	1	6004 z	6005 z	6006 z	6007 z	6008 z
17	34	Bush	1	-	-	584 106 00	684 106 00	784 106 00
17	34A	Bush	1	384 106 00	484 106 00	584 106 00	684 106 00	784 106 00
17	35	Axle	1	382 102 00	482 102 00	584 102 00	684 102 00	784 102 00
17	36	Axle	1	382 201 00	482 201 00	584 201 00	684 201 00	784 201 00
17	37	Shaft	1	382 105 00	482 105 00	584 105 00	684 105 00	784 105 00
17	38	Bush	1	382 101 00	382 101 00	382 101 00	684 101 00	784 101 00
17	(38)	Spring washer BDS 833-82	4	2 8H	2 8H	2 8H	2 8H	2 10H
17	(40)	Screw BDS 2171-83	4	M 8 x 25	M 8 x 25	M 8 x 25	M 8 x 25	M 10 x 25
17	[41]	Gearmotor	1	Table 7.5				
17	42	Bush	4	382 002 00	482 002 00	584 002 00	682 002 00	782 002 00
17	(43)	Washer BDS 206-78	4	A M10	A M12	A M14	A M16	A M20
17	(44)	Spring washer BDS 833-82	4	2 10H	2 12H	2 14H	2 16H	2 20H
17	45	Bolt BDS 1234-85/8.8	2	I M10 x 35	I M12 x 45	I M14 x 45	I M16 x 55	I M20 x 60
17	[46]	Frame	1	Table 7.6				
17	47	Bush	1	382 003 00	482 003 00	584 003 00	682 003 00	784 003 00
17	(48)	Ring BDS 2170-77	1	B 40	B 45	B 50	B 65	B 80
17	[49]	Traverse	1	Table 7.6				
17	50	Axle	1	384 402 00	484 402 00	584 402 00	684 402 00	784 402 00
17	51	Plate	1	384 403 00	484 403 00	584 403 00	684 403 00	784 403 00
17	(52)	Spring washer BDS 833-82	2	2 6H	2 10H	2 10H	2 10H	2 12H
17	(53)	Bolt BDS 1230-85/6.6	2	I M6 x 16	I M10 x 16	I M10 x 16	I M10 x 20	I M12 x 25
17	54	Bush	2	384 401 00	484 401 00	584 401 00	684 401 00	784 401 00
17	(55)	Ring BDS 2170-77	2	A 72	A 90	A 110	A 130	-
			1	-	-	-	-	A 130
17	56	Roller	1	384 421 00	484 421 00	584 421 00	684 421 00	784 421 00
17	(57)	Bearing BDS 4884-85	1	6207 2z	6210 2z	6212 2z	6312 2z	-
		Bearing BDS 4884-85	2	-	-	-	-	6212 2z



7.3. Gearmotors

Table 7.5

Travel speed				V1		V2		V3	
Variant				single-speed	double-speed	single-speed	double-speed	single-speed	double-speed
Fig.	Pos.	Name	QTY	Catalogue number					
Size MH 3, Reeving 2/1 and 4/1									
16, 17	[41]	Gearmotor	1	382 700 10	382 700 40	382 700 20	382 700 50	382 700 30	382 700 60
		- Reducer		382 710 10		382 710 20		382 710 30	
		- Electric motor		T 71A - 4R	T 80A - 12/4R	T 71A - 4R	T 80A - 12/4R	T 71A - 4R	T 80A - 12/4R
Size MHM 4, Reeving 2/1 and 4/1									
16, 17	[41]	Gearmotor	1	482 700 10	482 700 40	482 700 20	482 700 50	482 700 30	482 700 60
		- Reducer		482 710 10		382 710 10		382 710 20	
		- Electric motor		T 71A - 4R	T 80A - 12/4R	T 71B - 4R	T 80B - 12/4R	T 71B - 4R	T 80B - 12/4R
Size MHM 5, Reeving 2/1									
16	[41]	Gearmotor	1	482 700 10	482 700 40	482 700 20	482 700 50	482 700 30	482 700 60
		- Reducer		482 710 10		382 710 10		382 710 20	
		- Electric motor		T 71A - 4R	T 80A - 12/4R	T 71B - 4R	T 80B - 12/4R	T 71B - 4R	T 80B - 12/4R
Size MHM 5, Reeving 4/1									
17	[41]	Gearmotor	1	584 700 10		584 700 20	584 700 50	584 700 30	584 700 60
		- Reducer		584 710 10	-	482 710 10		482 710 20	
		- Electric motor		T 80A - 6R		T 80A - 4R	T 90S - 12/4R	T 80A - 4R	T 90S - 12/4R
Size MH 6, Reeving 2/1									
16	[41]	Gearmotor	1	584 700 10		682 700 20	682 700 50	584 700 30	584 700 60
		- Reducer		584 710 10	-	482 710 20		482 710 30	
		- Electric motor		T 80A - 6R		T 71B - 4R	T 80B - 12/4R	T 80A - 4R	T 90S - 12/4R
Size MH 6, Reeving 4/1									
17	[41]	Gearmotor	1	684 700 10	682 700 40	684 700 20		684700 30	684 700 60
		- Reducer		684 710 10		684 710 20	-	684 710 30	
		- Electric motor		T 80A - 4R	T 90S - 12/4R	T 80B - 6R		T 80B - 4R	T 90L - 12/4R
Size MH 7, Reeving 2/1									
16	[41]	Gearmotor	1	684 700 10	684 700 40	684 700 20		684 700 30	684 700 60
		- Reducer		684 710 10		684 710 20	-	684 710 30	
		- Electric motor		T 80A - 4R	T 90S - 12/4R	T 80B - 6R		T 80B - 4R	T 90L - 12/4R
Size MH 7, Reeving 4/1									
17	[41]	Gearmotor	1	784 700 10	784 700 40	784700 20	784 700 50	784 700 30	784 700 60
		- Reducer		784 710 10		784 710 20		784 710 30	
		- Electric motor		T 80A - 4R	T 90S - 12/4R	T 80A - 4R	T 90S - 12/4R	T 80B - 4R	T 90L - 12/4R



7.4. Details, available in all lifting heights

Table 7.6

Lifting height				H1	H2	H3	H4	H5	H6	H7
Fig.	Pos.	Name	QTY	Catalogue number						
Size MH 3, Reeving 2/1										
16	[25]	Counterweight box	1	382 800 01	382 800 02	382 800 03	382 800 04	382 800 05	-	-
16	[46]	Frame	1	382 300 01	382 300 02	382 300 03	382 300 04	382 300 05	-	-
Size MH 3, Reeving 4/1										
17	[25]	Counterweight box	1	-	-	382 800 03	382 800 04	382 800 05	-	-
17	[46]	Frame	1	-	-	384 300 03	384 300 04	384 300 05	-	-
17	[49]	Traverse	1	-	-	384 410 03	384 410 04	384 410 05	-	-
Size MHM 4, Reeving 2/1										
16	[25]	Counterweight box	1	482 800 01	482 800 02	482 800 03	482 800 04	482 800 05	-	-
16	[46]	Frame	1	482 300 01	482 300 02	482 300 03	482 300 04	482 300 05	-	-
Size MHM 4, Reeving 4/1										
17	[25]	Counterweight box	1	-	-	482 800 03	482 800 04	482 800 05	-	-
17	[46]	Frame	1	-	-	484 300 03	484 300 04	484 300 05	-	-
17	[49]	Traverse	1	-	-	484 410 03	484 410 04	484 410 05	-	-
Size MHM 5, Reeving 2/1										
16	[25]	Counterweight box	1	582 800 01	582 800 02	582 800 03	582 800 04	582 800 05	-	-
16	[46]	Frame	1	582 300 01	582 300 02	582 300 03	582 300 04	582 300 05	-	-
Size MHM 5, Reeving 4/1										
17	[25]	Counterweight box	1	-	-	582 800 03	582 800 04	582 800 05	-	-
17	[46]	Frame	1	-	-	584 300 03	584 300 04	584 300 05	-	-
17	[49]	Traverse	1	-	-	584 410 03	584 410 04	584 410 05	-	-
Size MH 6, Reeving 2/1										
16	[25]	Counterweight box	1	-	682 800 02	682 800 03	682 800 04	682 800 05	-	-
16	[46]	Frame	1	-	682 300 02	682 300 03	682 300 04	682 300 05	-	-
Size MH 6, Reeving 4/1										
17	[25]	Counterweight box	1	-	-	682 800 03	682 800 04	682 800 05	-	-
17	[46]	Frame	1	-	-	684 300 03	684 300 04	684 300 05	-	-
17	[49]	Traverse	1	-	-	684 410 03	684 410 04	684 410 05	-	-
Size MH 7, Reeving 2/1										
16	[25]	Counterweight box	1	-	782 800 02	782 800 03	782 800 04	782 800 05	782 800 06	782 800 07
16	[46]	Frame	1	-	782 300 02	782 300 03	782 300 04	782 300 05	782 300 06	782 300 07
Size MH 7, Reeving 4/1										
17	[25]	Counterweight box	1	-	-	-	782 800 04	782 800 05	782 800 06	782 800 07
17	[46]	Frame	1	-	-	-	784 300 04	784 300 05	784 300 06	784 300 07
17	[49]	Traverse	1	-	-	-	784 410 04	784 410 05	784 410 06	784 410 07



8. LOAD LIMITER, type HOT

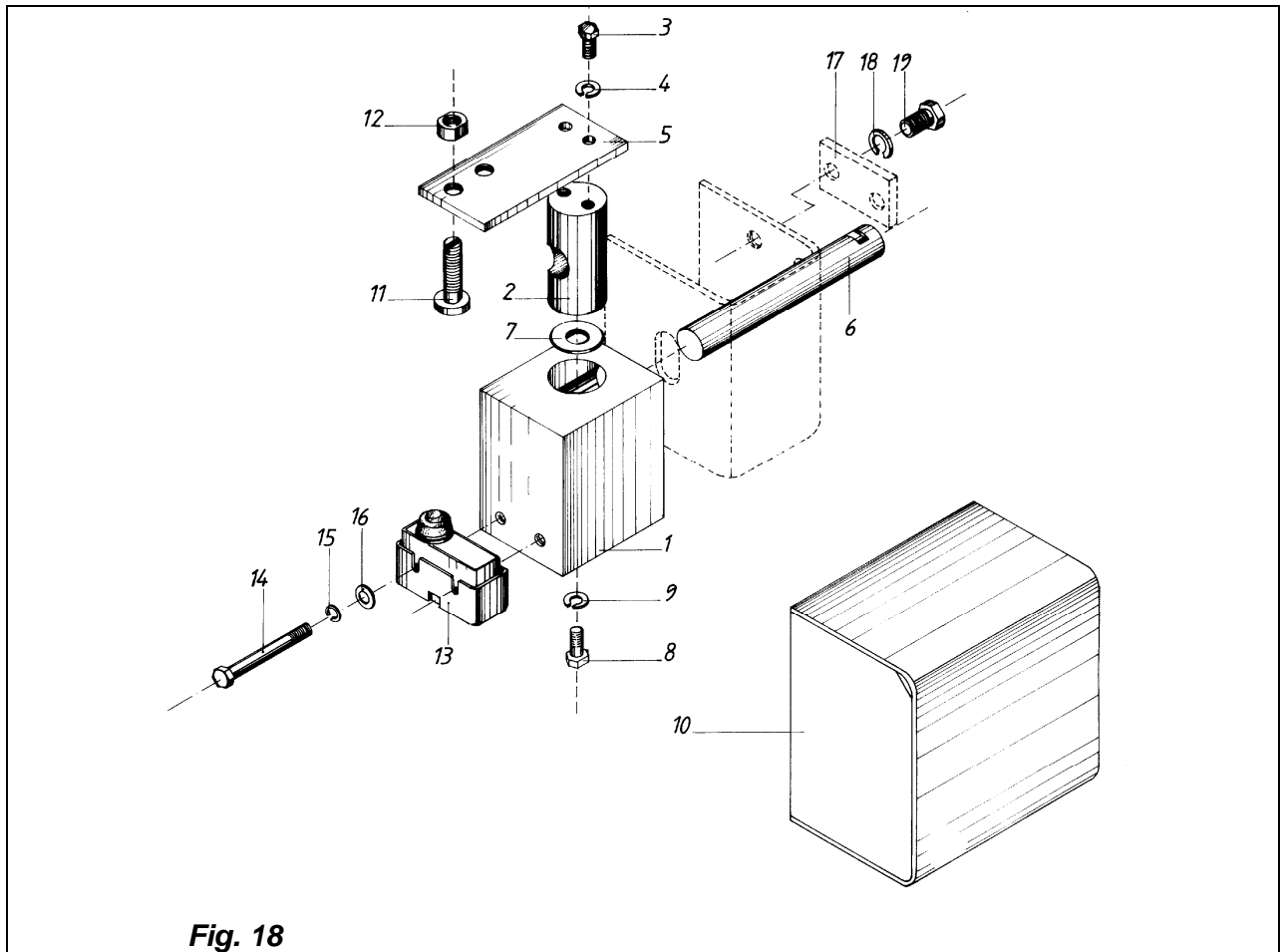


Fig. 18

8.1. Reeving 4/1

Table 8.1

Size				MH 3	MHM 4	MHM 5	MH 6	MH 7
Headroom				reduced and normal				
Fig.	Pos.	Name	QTY	Catalogue number				
		Load limiter (Pos. 1-16)		577171	577172	577173	577174	577175
18	1	Body	1	577125	577126	577127	577128	577129
18	2	Piston	1	577130	577131	577131	577132	577133
18	(3)	Bolt BDS 1234-85/5.6	2	M6x12	M6x12	M6x12	M6x12	M6x12
18	(4)	Washer BDS 833-82	2	2-6H	2-6H	2-6H	2-6H	2-6H
18	5	Plate 1	1	577176	577177	577177	577178	577179
18	6	Axle	1	577141	577142	577142	577143	577144
18	(7)	Spring DIN 2093	8	23x12.2x1.25	34x16.3x2	34x16.3x2	-	-
18	(7)	Spring DIN 2093	12	-	-	-	45x16.3x2	-
18	(7)	Spring DIN 2093	18	-	-	-	-	45x16.3x2
18	(8)	Bolt BDS 1234-85/5.6	2	2M10x20	2M10x20	2M10x20	2M10x20	2M10x20
18	(9)	Washer BDS 206-78	2	AM10	AM10	AM10	AM10	AM10
18	10	Casing	1	577116	577118	577120	577122	577124
18	11	Bolt	2	577153	577153	577153	577153	577123
18	12	Nut	2	577154	577154	577154	577154	577154
18	(13)	End limiter switch	2	Z-15GK55	Z-15GK55	Z-15GK55	Z-15GK55	Z-15GK55
18	(14)	Screw BDS 832-83/4.8	2	M4x50	M4x50	M4x50	M4x50	M4x50
18	(15)	Washer BDS 833-82	2	2-4H	2-4H	2-4H	2-4H	2-4H
18	(16)	Body	2	AM4	AM4	AM4	AM4	AM4



8.2. Reeving 2/1 Reduced headroom

Table 8.2

Size				MH 3	MHM 4	MHM 5	MH 6	MH 7	
Fig.	Pos.	Name	QTY	Catalogue number					
18		Reeving (Pos.1-16)		577182	577110	576623	829698	577113	577114
18	1	Body	1	577186	577125	577126	577127	577128	577129
18	2	Piston	1	577187	577130	577131	577131	577132	577133
18	(3)	Bolt BDS 1234-85/5.6	2	M6x12	M6x12	M6x12	M6x12	M6x12	M6x12
18	(4)	Washer BDS 833-82	2	2-6H	2-6H	2-6H	2-6H	2-6H	2-6H
18	5	Plate 1	1	577134	577134	577135	577135	577136	577137
18	6	Axle	1	577140	577140	577142	577146	577143	577144
18	(7)	Spring DIN 2093	6	-	-	34x16.3x2	-	-	-
18	(7)	Spring DIN 2093	8	-	23x12.2x1.25	-	-	-	-
18	(7)	Spring DIN 2093	12	23x12.2x1.5	-	-	-	45x16.3x2	-
18	(7)	Spring DIN 2093	16	-	-	-	34x16.3x2	-	-
18	(7)	Spring DIN 2093	18	-	-	-	-	-	45x16.3x2
18	(8)	Bolt BDS 1234-85/5.6	2	2M10x20	2M10x20	2M10x20	2M10x20	2M10x20	2M10x20
18	(9)	Washer BDS 206-78	2	AM10	AM10	AM10	AM10	AM10	AM10
18	10	Casing	1	577115	577115	577117	577119	577121	577123
18	11	Bolt	2	577153	577153	577153	577153	577153	577153
18	12	Nut	2	577154	577154	577154	577154	577154	577154
18	13	End limiter switch	2	Z-15GK55	Z-15GK55	Z-15GK55	Z-15GK55	Z-15GK55	Z-15GK55
18	(14)	Screw BDS 832-83/4.8	2	M4x50	M4x50	M4x50	1AM4x50	M4x50	M4x50
18	(15)	Washer BDS 833-82	2	2-4H	2-4H	2-4H	2-4H	2-4H	2-4H
18	(16)	Washer BDS 206-78	2	AM4	AM4	AM4	AM4	AM4	AM4

Normal headroom

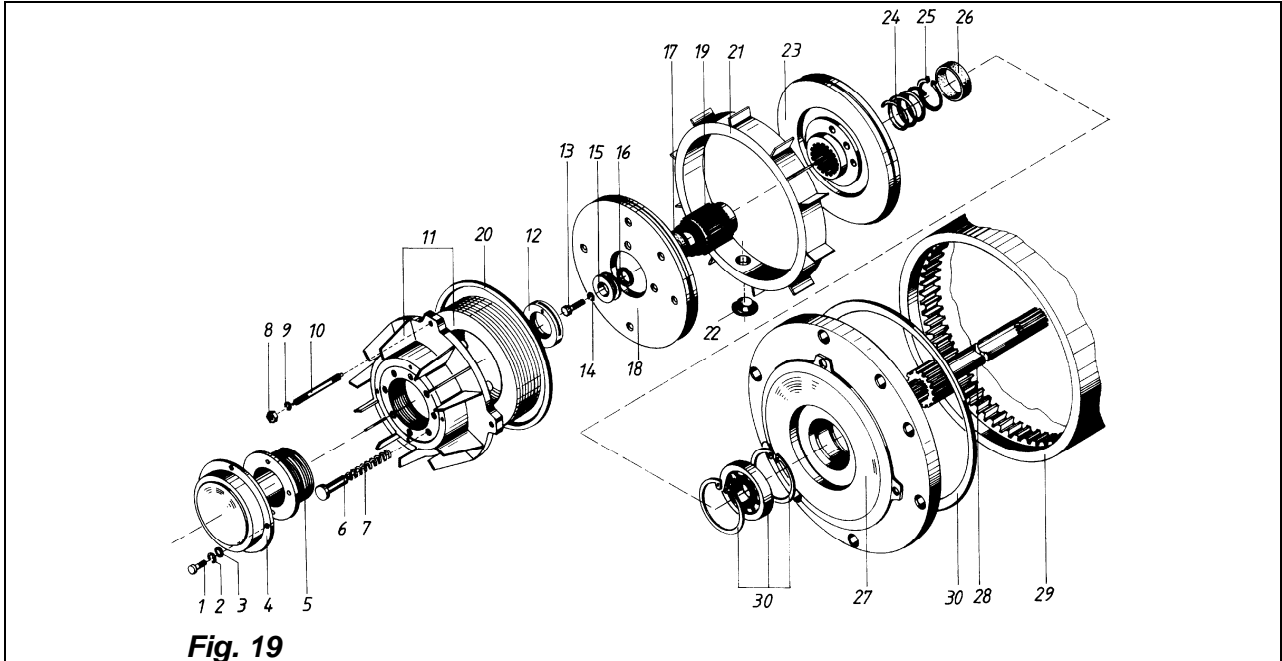
Table 8.3

Size				MH 3	MHM 4	MHM 5	MH 6	MH 7
Fig.	Pos.	Name	QTY	Catalogue number				
18		Reeving (Pos. 1-16)		577110	577111	577112	577113	577114
18	1	Body	1	577125	577126	577127	577128	577129
18	2	Piston	1	577130	577131	577131	577132	577133
18	(3)	Bolt BDS 1234-85/5.6	2	M6x12	M6x12	M6x12	M6x12	M6x12
18	(4)	Washer BDS 833-82	2	2-6H	2-6H	2-6H	2-6H	2-6H
18	5	Plate 1	1	577134	577135	577135	577136	577137
18	6	Axle	1	577140	577142	577142	577143	577144
18	(7)	Spring DIN 2093	8	23x12.2x1.25	34x16.3x2	34x16.3x2	-	-
18	(7)	Spring DIN 2093	12	-	-	-	45x16.3x2	-
18	(7)	Spring DIN 2093	18	-	-	-	-	45x16.3x2
18	(8)	Bolt BDS 1234-85/5.6	2	2M10x20	2M10x20	2M10x20	2M10x20	2M10x20
18	(9)	Washer BDS 206-78	2	AM10	AM10	AM10	AM10	AM10
18	10	Casing	1	577115	577118	577115	577121	577124
18	11	Bolt	2	577153	577153	577153	577153	577153
18	12	Nut	2	577154	577154	577154	577154	577154
18	13	End limiter switch	2	Z-15GK55	Z-15GK55	Z-15GK55	Z-15GK55	Z-15GK55
18	(14)	Screw BDS 832-83/4.8	2	M4x50	M4x50	M4x50	M4x50	M4x50
18	(15)	Washer BDS 833-82	2	2-4H	2-4H	2-4H	2-4H	2-4H
18	(16)	Washer BDS 206-78	2	AM4	AM4	AM4	AM4	AM4

Note: The details, fixing the axle, pos.6, are as shown in tables 3.1.



9. REDUCER WITH DISK ELECTROMAGNETIC BRAKE



9.1. Reducer with disk electromagnetic brake

9.1.1. Reducers with disk electromagnetic brake type C1, C2 and C3

Table 9.1

Name	Reducer with brake	Base reducer	Disk brake	Shaft	Cover	Gasket BDS 9954-83
Positions of fig. 19	1-30	29	1-25	28	27	26
Quantity	1	1	1	1	1	1
Electromagnetic brake - type	Catalogue number					
C1	835015	141669	291260	162783	835033	A28x47x10-3
C1	835016	158013	291260	162780	835033	A28x47x10-3
C1	835017	168301	291260	168340	835033	A28x47x10-3
C1	835018	168303	291260	162783	835033	A28x47x10-3
C1	835019	168304	291260	162780	835033	A28x47x10-3
C1	835020	168305	291260	168340	835033	A28x47x10-3
C2	578981	158017	291226	578952	578956	A35x62x10-3
C2	578982	158021	291226	578950	578956	A35x62x10-3
C2	578983	169200	291226	578951	578956	A35x62x10-3
C2	578985	169213	291226	578952	578956	A35x62x10-3
C2	578986	169229	291226	578950	578956	A35x62x10-3
C2	578987	169217	291226	578951	578956	A35x62x10-3
C2	579005	158025	291226	578952	578956	A35x62x10-3
C2	579006	158029	291226	578953	578956	A35x62x10-3
C2	579007	169321	291226	578954	578956	A35x62x10-3
C2	579008	169322	291226	578952	578956	A35x62x10-3
C2	579009	169323	291226	578953	578956	A35x62x10-3
C2	579010	169324	291226	578954	578956	A35x62x10-3
C3	579015	158033	291156	578960	162304	A38x62x10-3
C3	579016	158037	291156	578961	162304	A38x62x10-3
C3	579017	148863	291156	578962	162304	A38x62x10-3
C3	579018	148864	291156	578960	162304	A38x62x10-3
C3	579019	148865	291156	578961	162304	A38x62x10-3
C3	579020	148866	291156	578962	162304	A38x62x10-3

9.1.2. Reducers with disk electromagnetic brake type C4

Table 9.2

Name	Reducer with brake	Base reducer	Disk brake	Shaft	Cover	Gasket BDS 9954-83
Positions of fig. 19	1-30	29	1-25	28	27	26
Quantity	1	1	1	1	1	1
Electromagnetic brake - type	Catalogue number					
C4	T0272C4.01	158041	C4	T0272C4.01.01.06	T0272C4.01.01.01	A42x72x10-3
C4	T0273C4.01	149715	C4	T0273C4.01.01.06	T0272C4.01.01.01	A42x72x10-3
C4	T ₃ 0265C4.01	158051	C4	T ₃ 0265C4.01.01.06	T0272C4.01.01.01	A42x72x10-3

Note: 1. The completion of a hoist with reducer with electromagnetic brake is similar to that of p.1. The base reducer (pos.29 of Fig. 19) is equal to those of p.1 with the following difference : cover (pos.1 of Fig.1) and shaft (pos.37 and Fig.1) are replaced with cover (pos.27 of Fig.19) and shaft-gear wheel (pos.28 of Fig.19) and addl. gasket (pos.26 of Fig.19) and disk electromagnetic brake.

2. Details of position 30 denote the details of the base reducer.

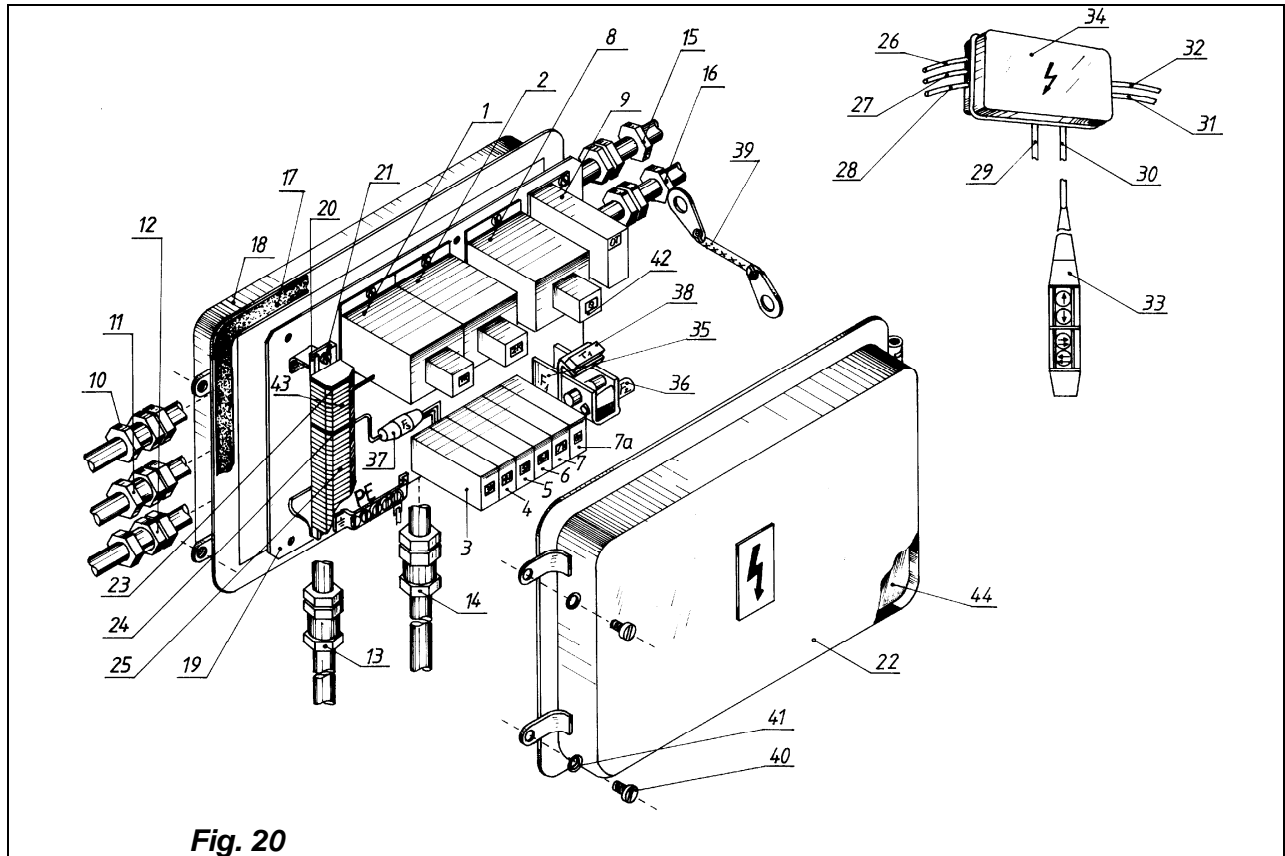
9.2. Disk electromagnetic brake

Table 9.3

Disk brake		Type	C1	C2	C3	C4
		Catalogue number	291260	291226	291156	-
Fig.	Pos.	Name	QTY	Catalogue number		
19	(1)	Screw BDS 832-83/5.8	3	1 M4x10	1 M4x10	1 M4x10
19	(2)	Washer BDS 833-82	3	2-4H	2-4H	2-4H
19	(3)	Washer BDS 206-78	3	AM4	AM4	AM4
19	4	Cap	1	291274	291236	291170
19	5	Adjusting nut	1	291273	291235	291169
19	6	Support	6	291271	291233	291165
19	7	Spring	6	291270	291232	291164
19	(8)	Nut BDS 744-91/6	3	1 M6	1 M8	1 M10
19	(9)	Washer BDS 833-82	3	2-6H	2-8H	2-10H
19	(10)	Stud BDS 1238-87	3	AM6x60(10/22)-5.6	AM8x65(14/22)-5.6	AM10x80(16/26)-5.6
19	[11]	Electromagnet	1	291276	291238	291175
19	12	Special nut	1	291173	291173	291173
19	(13)	Screw BDS 2171-83/5.6	1	M6x20	M6x20	M6x20
19	(14)	Washer BDS 833-82	1	-	2-6H	2-6H
19	15	Cap	1	291167	291167	291167
19	(16)	O-Ring BDS 7947-85	1	2 24x4	2 24x4	2 24x4
19	17	Sealing ring	1	291166	291166	291166
19	[18]	Anchor set	1	291297	291251	291215
19	19	Spline bush	1	291272	291234	291168
19	20	Adjusting wafer	14	291269	291231	291162
19	21	Casing	1	291268	291230	291160
19	22	Cap	1	291161	291161	291161
19	23	Brace disk	1	291302	291256	291220
19	24	Spring	1	291163	291163	291163
19	(25)	Ring BDS 5300-78	1	B1 45	B1 45	B1 45



10. CONTROL BLOCK



10.1. Electric diagram

Table 10.1

Lifting speed		Travel speed		Number of the electric diagram (pos.44)	
basic	reduced	basic	reduced	№	Designation
Y	-	-	-	305.000 – 09.01.00.00.201	01
Y	Y	-	-	305.000 – 09.02.00.00.201	02
Y	-	Y	-	305.000 – 09.03.00.00.201	03
Y	Y	Y	-	305.000 – 09.04.00.00.201	04
Y	-	Y	Y	305.000 – 09.05.00.00.201	05
Y	Y	Y	Y	305.000 – 09.06.00.00.201	06

10.2. Control block - units

Table 10.2

Fig.	Pos.	Name	QTY	Positions of units	Note
20	26 ÷ 32, 33, 34	Control block	1	26 ÷ 32, 33, 34	p. 10
20	34	Electric panel	1	1 ÷ 25, 35 ÷ 44	p. 10.3
20	33	Push button	1	33	Type - in passport
20	26 ÷ 32	Cable set	1	26 ÷ 32	p. 10.4

10.3. Electric panels

Table 10.3

Number of the electric diagram		01	02	03	04	05	06
Pos.	Name	Catalogue number					
Size		MH 3					
34	Electric panel (Pos. 1÷25,35÷44)	50T0231-Tp1 {50T0231-Tp}	50T0231M-Tp1 {50T0231M-Tp}	50T1031-Tp1 {50T1031-Tp}	50T1031M-Tp1 {50T1031M-Tp}	50T103114-Tp1 {50T103114-Tp}	50T1031M14-Tp1 {50T1031M14-Tp}
1÷9, 19÷21, 23÷ 25, 35÷38, 42, 43	Chassis with electric apparatus	50T0231-Tp1.01 {50T0231-Tp.01}	50T0231M-Tp1.01 {50T0231M-Tp.01}	50T1031-Tp1.01 {50T1031-Tp.01}	50T1031M-Tp1.01 {50T1031M-Tp.01}	50T103114-Tp1.01 {50T103114-Tp.01}	50T1031M14-Tp1.01 {50T1031M14-Tp.01}
10÷18, 22, 39÷41	Box	50T1031-Tp1.02					
Size		MHM 4					
34	Electric panel (Pos. 1÷25,35÷44)	50T0241-Tp1 {50T0251-Tp}	50T0241M-Tp1 {50T0251M-Tp}	50T1041-Tp1 {50T1051-Tp}	50T1041M-Tp1 {50T1051M-Tp}	50T104114-Tp1 {50T105114-Tp}	50T1041M14-Tp1 {50T1051M14-Tp}
1÷9, 19÷21, 23÷ 25, 35÷38, 42, 43	Chassis with electric apparatus	50T0241-Tp1.01 {50T0251-Tp.01}	50T0241M-Tp1.01 {50T0251M-Tp.01}	50T1041-Tp1.01 {50T1051-Tp.01}	50T1041M-Tp1.01 {50T1051M-Tp.01}	50T104114-Tp1.01 {50T105114-Tp.01}	50T1041M14-Tp1.01 {50T1051M14-Tp.01}
10÷18, 22, 39÷41	Box	50T1051-Tp1.02					
Size		MHM 5					
34	Electric panel (Pos. 1÷25,35÷44)	50T0251-Tp1 {50T0251-Tp}	50T0251M-Tp1 {50T0251M-Tp}	50T1051-Tp1 {50T1051-Tp}	50T1051M-Tp1 {50T1051M-Tp}	50T105114-Tp1 {50T105114-Tp}	50T1051M14-Tp1 {50T1051M14-Tp}
1÷9, 19÷21, 23÷ 25, 35÷38, 42, 43	Chassis with electric apparatus	50T0251-Tp1.01 {50T0251-Tp.01}	50T0251M-Tp1.01 {50T0251M-Tp.01}	50T1051-Tp1.01 {50T1051-Tp.01}	50T1051M-Tp1.01 {50T1051M-Tp.01}	50T105114-Tp1.01 {50T105114-Tp.01}	50T1051M14-Tp1.01 {50T1051M14-Tp.01}
10÷18,22,39÷41	Box	50T1051-Tp1.02					
Size		MH 6					
34	Electric panel (Pos. 1÷25,35÷44)	50T0261-Tp1 {50T0261-Tp}	50T0261M-Tp1 {50T0261M-Tp}	50T1061-Tp1 {50T1061-Tp}	50T1061M-Tp1 {50T1061M-Tp}	50T106114-Tp1 {50T106114-Tp}	50T1061M14-Tp1 {50T1061M14-Tp}
1÷9, 19÷21, 23÷ 25, 35÷38, 42, 43	Chassis with electric apparatus	50T0261-Tp1.01 {50T0261-Tp.01}	50T0261M-Tp1.01 {50T0261M-Tp.01}	50T1061-Tp1.01 {50T1061-Tp.01}	50T1061M-Tp1.01 {50T1061M-Tp.01}	50T106114-Tp1.01 {50T106114-Tp.01}	50T1061M14-Tp1.01 {50T1061M14-Tp.01}
10÷18, 22, 39÷41	Box	50T1072-Tp1.02					
Size		MH 7					
34	Electric panel (Pos. 1÷25,35÷44)	50T0272-Tp1 {50T0272-Tp}	50T0272M-Tp1 {50T0272M-Tp}	50T1072-Tp1 {50T1072-Tp}	50T1072M-Tp1 {50T1072M-Tp}	50T107214-Tp1 {50T107214-Tp}	50T1072M14-Tp1 {50T1072M14-Tp}
1÷9, 19÷21, 23÷ 25, 35, 38, 42, 43	Chassis with electric apparatus	50T0272-Tp1.01 {50T0272-Tp.01}	50T0272M-Tp1.01 {50T0272M-Tp.01}	50T1072-Tp1.01 {50T1072-Tp.01}	50T1072M-Tp1.01 {50T1072M-Tp.01}	50T107214-Tp1.01 {50T107214-Tp.01}	50T1072M14-Tp1.01 {50T1072M14-Tp.01}
10÷18, 22, 39÷41	Box	50T1072-Tp1.02					

Note: 1. "{" - with contactors corresponding with BDS 6012-84.

10.3.1. Boxes for electric panels

Table 10.4

Size				MH 3	MHM 4 and MHM 5	MH 6 and MH 7
Fig.	Pos.	Name	QTY	Catalogue number		
20		Box (Pos. 10÷18,22,39÷41)	1	50T1031-Tp1.02	50T1051-Tp1.02	50T1072-Tp1.02
20	10	Cable inlet BDS 4592-74	1	Bel21xFII11xH28x33		
20	11	Cable inlet BDS 4592-74	1	Bel21xFII11xH28x33		
20	12	Cable inlet BDS 4592-74	1	Bel13,5xFII9xH22x27		
20	13	Cable inlet BDS 4592-74	1	Bel13,5xFII7xH20x24		
20	14	Cable inlet BDS 4592-74	1	Bel13,5xFII11xH28x33		
20	15	Cable inlet BDS 4592-74	1	Bel13,5xFII9xH22x27		
20	16	Cable inlet BDS 4592-74	1	Bel13,5xFII9xH22x27		
20	17	Gasket-EAZ-Plovdiv	1	Size 8	Size 11	Size 11
20	18	Welded base- EAZ-Plovdiv	1	50T1072-Tp1.02;gab.8; p.1	50T1072-Tp1.02;gab.11; p.2	50T1072-Tp1.02;gab.11; p.2
20	22	Welded cover - EAZ-Plovdiv	1	49150.04.00	49150.09.00	49150.09.00
20	39	Grounding conductor - EAZ-Plovdiv	2	-	333206T214	333206T214
		Grounding conductor - EAZ-Plovdiv	1	333206T214	-	-
20	40	Screw 1A BDS 832-83	2	M6x25		
20	41	Washer BDS 206-78	2	AM6		



10.3.2. Chassis with electric apparatus

10.3.2.1. Contactors

Table 10.5

Size	Symbol	Q	1K	2K	3K	4K	5K	6K	7K	8K	
	Pos.	8	1	2	3	4	5	6	7	7a	
	QTY	1	1	1	1	1	1	1	1	1	
	Designation	Catalogue number									
1	2	3	4	5	6	7	8	9	10	11	
MH 3	50T0231-Tp1.01 {50T0231-Tp.01}	LC1D1210 C16	LC1D1210 LA1DN02 C16 BK11	LC1D1210 LA1DN02 C16 BK11	- -	- -	- -	- -	- -	- -	- -
	50T0231M-Tp1.01 {50T0231M-Tp.01}	LC1D1210 C16	LC1D1210 LA1DN02 C16 BK11	LC1D1210 LA1DN02 C16 BK11	LC1D1210 LA1DN11 C16 BK11	LC1D1210 LA1DN11 C16 BK11	- -	- -	- -	- -	- -
	50T1031-Tp1.01 {50T1031-Tp.01}	LC1D1210 C16	LC1D1210 LA1DN11 C16 BK11	LC1D1210 LA1DN11 C16 BK11	- -	- -	LC1D1210 LA1DN11 C6 BK11	LC1D1210 LA1DN11 C6 BK11	- -	- -	- -
	50T1031M-Tp1.01 {50T1031M-Tp.01}	LC1D1210 C16	LC1D1210 LA1DN02 C16 BK11	LC1D1210 LA1DN02 C16 BK11	LC1D1210 LA1DN11 C16 BK11	LC1D1210 LA1DN11 C16 BK11	LC1D1210 LA1DN11 C6 BK11	LC1D1210 LA1DN11 C6 BK11	- -	- -	- -
	50T1031M14-Tp1.01 {50T1031M14-Tp.01}	LC1D1210 C16	LC1D1210 LA1DN11 C16 BK11	LC1D1210 LA1DN11 C16 BK11	- -	- -	LC1D1210 LA1DN11 C6 BK11	LC1D1210 LA1DN11 C6 BK11	LC1D1210 LA1DN11 C6 BK11	LC1D1210 LA1DN11 C6 BK11	LC1D1210 C6
	50T1031M14-Tp1.01 {50T1031M14-Tp.01}	LC1D1210 C16	LC1D1210 LA1DN02 C16 BK11	LC1D1210 LA1DN02 C16 BK11	LC1D1210 LA1DN11 C16 BK11	LC1D1210 LA1DN11 C16 BK11	LC1D1210 LA1DN11 C6 BK11	LC1D1210 LA1DN11 C6 BK11	LC1D1210 LA1DN11 C6 BK11	LC1D1210 LA1DN11 C6 BK11	LC1D1210 C6
MHM 4	50T0241-Tp1.01 {50T0251-Tp.01}	LC1D1810 C25	LC1D1810 LA1DN02 C25 BK11	LC1D1810 LA1DN02 C25 BK11	- -	- -	- -	- -	- -	- -	- -
	50T0241M-Tp1.01 {50T0251M-Tp.01}	LC1D1810 C25	LC1D1810 LA1DN02 C25 BK11	LC1D1810 LA1DN02 C25 BK11	LC1D1810 LA1DN11 C25 BK11	LC1D1810 LA1DN11 C25 BK11	- -	- -	- -	- -	- -
	50T1041-Tp1.01 {50T1051-Tp.01}	LC1D1810 C25	LC1D1810 LA1DN11 C25 BK11	LC1D1810 LA1DN11 C25 BK11	- -	- -	LC1D1210 LA1DN11 C6 BK11	LC1D1210 LA1DN11 C6 BK11	- -	- -	- -
	50T1041M-Tp1.01 {50T1051M-Tp.01}	LC1D1810 C25	LC1D1810 LA1DN02 C25 BK11	LC1D1810 LA1DN02 C25 BK11	LC1D1810 LA1DN11 C25 BK11	LC1D1810 LA1DN11 C25 BK11	LC1D1210 LA1DN11 C6 BK11	LC1D1210 LA1DN11 C6 BK11	- -	- -	- -
	50T1041M14-Tp1.01 {50T1051M14-Tp.01}	LC1D1810 C25	LC1D1810 LA1DN11 C25 BK11	LC1D1810 LA1DN11 C25 BK11	- -	- -	LC1D1210 LA1DN11 C6 BK11	LC1D1210 LA1DN11 C6 BK11	LC1D1210 LA1DN11 C6 BK11	LC1D1210 LA1DN11 C6 BK11	LC1D1210 C6
	50T1041M14-Tp1.01 {50T1051M14-Tp.01}	LC1D1810 C25	LC1D1810 LA1DN02 C25 BK11	LC1D1810 LA1DN02 C25 BK11	LC1D1810 LA1DN11 C25 BK11	LC1D1810 LA1DN11 C25 BK11	LC1D1210 LA1DN11 C6 BK11	LC1D1210 LA1DN11 C6 BK11	LC1D1210 LA1DN11 C6 BK11	LC1D1210 LA1DN11 C6 BK11	LC1D1210 C6 BK11



Table 10.5 - cont'd

1	2	3	4	5	6	7	8	9	10	11
MHM 5	50T0251-Tp1.01 {50T0251-Tp.01}	LC1D1810 C25	LC1D1810 LA1DN02 C25 BK11	LC1D1810 LA1DN02 C25 BK11	- -	- -	- -	- -	- -	- -
	50T0251M-Tp1.01 {50T0251M-Tp.01}	LC1D1810 C25	LC1D1810 LA1DN02 C25 BK11	LC1D1810 LA1DN02 C25 BK11	LC1D1810 LA1DN11 C25 BK11	LC1D1810 LA1DN11 C25 BK11	- -	- -	- -	- -
	501051-Tp1.01 {50T1051-Tp.01}	LC1D1810 C25	LC1D1810 LA1DN11 C25 BK11	LC1D1810 LA1DN11 C25 BK11	- -	- -	LC1D1210 LA1DN11 C6 BK11	LC1D1210 LA1DN11 C6 BK11	- -	- -
	50T1051M-Tp1.01 {50T1051M-Tp.01}	LC1D1810 C25	LC1D1810 LA1DN02 C25 BK11	LC1D1810 LA1DN02 C25 BK11	LC1D1810 LA1DN11 C25 BK11	LC1D1810 LA1DN11 C25 BK11	LC1D1210 LA1DN11 C6 BK11	LC1D1210 LA1DN11 C6 BK11	- -	- -
	50T1051M14-Tp1.01 {50T1051M14-Tp.01}	LC1D1810 C25	LC1D1810 LA1DN11 C25 BK11	LC1D1810 LA1DN11 C25 BK11	- -	- -	LC1D1210 LA1DN11 C6 BK11	LC1D1210 LA1DN11 C6 BK11	LC1D1210 LA1DN11 C6 BK11	LC1D1210 C6
	50T1051M14-Tp1.01 {50T1051M14-Tp.01}	LC1D1810 C25	LC1D1810 LA1DN02 C25 BK11	LC1D1810 LA1DN02 C25 BK11	LC1D1810 LA1DN11 C25 BK11	LC1D1810 LA1DN11 C25 BK11	LC1D1210 LA1DN11 C6 BK11	LC1D1210 LA1DN11 C6 BK11	LC1D1210 LA1DN11 C6 BK11	LC1D1210 C6
MH 6	50T0261-Tp1.01 {50T0261-Tp.01}	LC1D3210 KB3	LC1D3210 LA1DN02 C25 BK11	LC1D3210 LA1DN02 C25 BK11	- -	- -	- -	- -	- -	- -
	50T0261M-Tp1.01 {50T0261M-Tp.01}	LC1D3210 KB3	LC1D3210 LA1DN02 C25 BK11	LC1D3210 LA1DN02 C25 BK11	LC1D3210 LA1DN11 KB3	LC1D3210 LA1DN11 KB3	- -	- -	- -	- -
	501061-Tp1.01 {50T1061-Tp.01}	LC1D3210 KB3	LC1D3210 LA1DN11 C25 BK11	LC1D3210 LA1DN11 C25 BK11	- -	- -	LC1D1210 LA1DN11 C10 BK11	LC1D1210 LA1DN11 C10 BK11	- -	- -
	50T1061M-Tp1.01 {50T1061M-Tp.01}	LC1D3210 KB3	LC1D3210 LA1DN02 C25 BK11	LC1D3210 LA1DN02 C25 BK11	LC1D3210 LA1DN11 KB3	LC1D3210 LA1DN11 KB3	LC1D1210 LA1DN11 C10 BK11	LC1D1210 LA1DN11 C10 BK11	- -	- -
	50T1061M14-Tp1.01 {50T1061M14-Tp.01}	LC1D3210 KB3	LC1D3210 LA1DN11 C25 BK11	LC1D3210 LA1DN11 C25 BK11	- -	- -	LC1D1210 LA1DN11 C10 BK11	LC1D1210 LA1DN11 C10 BK11	LC1D1210 LA1DN11 C10 BK11	LC1D1210 C10
	50T1061M14-Tp1.01 {50T1061M14-Tp.01}	LC1D3210 KB3	LC1D3210 LA1DN02 C25 BK11	LC1D3210 LA1DN02 C25 BK11	LC1D3210 LA1DN11 KB3	LC1D3210 LA1DN11 KB3	LC1D1210 LA1DN11 C10 BK11	LC1D1210 LA1DN11 C10 BK11	LC1D1210 LA1DN11 C10 BK11	LC1D1210 C10
MH 7	50T0272-Tp1.01 {50T0272-Tp.01}	LC1D4010 KB3	LC1D4010 LA1DN02 C25 BK11	LC1D4010 LA1DN02 C25 BK11	- -	- -	- -	- -	- -	- -
	50T0272M-Tp1.01 {50T0272M-Tp.01}	LC1D4010 KB3	LC1D4010 LA1DN02 C25 BK11	LC1D4010 LA1DN02 C25 BK11	LC1D4010 LA1DN11 KB3	LC1D4010 LA1DN11 KB3	- -	- -	- -	- -
	501072-Tp1.01 {50T1072-Tp.01}	LC1D4010 KB3	LC1D4010 LA1DN11 C25 BK11	LC1D4010 LA1DN11 C25 BK11	- -	- -	LC1D1210 LA1DN11 C10 BK11	LC1D1210 LA1DN11 C10 BK11	- -	- -
	50T1072M-Tp1.01 {50T1072M-Tp.01}	LC1D4010 KB3	LC1D4010 LA1DN02 C25 BK11	LC1D4010 LA1DN02 C25 BK11	LC1D4010 LA1DN11 KB3	LC1D4010 LA1DN11 KB3	LC1D1210 LA1DN11 C10 BK11	LC1D1210 LA1DN11 C10 BK11	- -	- -
	50T1072M14-Tp1.01 {50T1072M14-Tp.01}	LC1D4010 KB3	LC1D4010 LA1DN11 C25 BK11	LC1D4010 LA1DN11 C25 BK11	- -	- -	LC1D1210 LA1DN11 C10 BK11	LC1D1210 LA1DN11 C10 BK11	LC1D1210 LA1DN11 C10 BK11	LC1D1210 C10
	50T1072M14-Tp1.01 {50T1072M14-Tp.01}	LC1D4010 KB3	LC1D4010 LA1DN02 C25 BK11	LC1D4010 LA1DN02 C25 BK11	LC1D4010 LA1DN11 KB3	LC1D4010 LA1DN11 KB3	LC1D1210 LA1DN11 C10 BK11	LC1D1210 LA1DN11 C10 BK11	LC1D1210 LA1DN11 C10 BK11	LC1D1210 C10



10.3.2.2. Details available in all electrical equipment

Table 10.6

Fig.	Pos.	Name	Designation	QTY	Size				
					MH 3	MHM 4	MHM 5	MH 6	MH 7
20	9	Electronic block		1	OTBE 5	OTBE 5	OTBE 5	OTBE 5	OTBE 5
20	19	Welded chassis	-	1	50T1031M14-Tp.01.01	50T1051M14-Tp.01.01	50T1051M14-Tp.01.01	50T1061M14-Tp.01.01	50T1061M14-Tp.01.01
20	20	Profile busbar	-	1	50T1031M14-Tp.01.00.01	50T1031M14-Tp.01.00.01	50T1031M14-Tp.01.00.01	50T1031M14-Tp.01.00.01	50T1031M14-Tp.01.00.01
20	(21)	Screw BDS832-83/4,8	-	2	1A M5x12	1A M5x12	1A M5x12	1A M5x12	1A M5x12
20	(23)	End plate BDS 2773-81	-	2	-	-	-	-	932829.080
20	(24)	End plate BDS 2773-81	-	2	932829.080	932829.080	932829.080	932829.080	-
20	[35]	Safety fuse	F1	1	1 A	1 A	1 A	1 A	1 A
20	[36]	Safety fuse	F2	1	1 A	1 A	1 A	1 A	1 A
20	(37)	Safety fuse BDS 4957-86	F3	1	PC20-1x5,2 (250V) 2,5 A	PC20-1x5,2 (250V) 2,5 A	PC20-1x5,2 (250V) 2,5 A	PC20-1x5,2 (250V) 2,5 A	PC20-1x5,2 (250V) 2,5 A
20	(38)	Transformer BDS 4957-86	T1	1	T300-K	T300-K	T300-K	T300-K	T300-K
20	42	Contact block	-	*	LA1DN11	LA1DN11	LA1DN11	LA1DN11	LA1DN11

Note: 1. "*" The number of the contact blocks (pos.42) is equal of the contactors "Telemechanique".
2. Electronic blocks OTBE 5 - for load limiter type BOT and type HOT.

Table 10.7

Number of the electric diagram					01	02	03	04	05	06
Fig	Pos	Name	Size	Cat. No:	Quantity					
20	(25)	Connecting terminal BDS 2773-81; 2,5 mm ²	MH 3÷ MH 7	232829	8	10	10	12	11	13
20	(43)	Connecting terminal BDS 2773-81; 2,5 mm ²	MH 3÷ MHM 5	232829	6	9	9	12	12	15
20	(43)	Connecting terminal BDS 2773-81; 10 mm ²	MH 6÷ MH 7	932833	6	9	9	12	12	15

10.4. Kable set

Table 10.8

Number of the electric diagram					01	02	03	04	05	06
Fig.	Pos.	Name	Size	QTY	Catalogue number					
20	26	Network cable	MH 3 ÷ MH 7	1	According of the Assembly and operation manual					
20	[27]	Cable for the lifting electric motor	MH 3 ÷ MHM 5	1	KDPM 11	KDPM 21	KDPM 21	KDPM 11	KDPM 21	
			MH 6 and MH 7	1	KDPM 12	KDPM 22	KDPM 22	KDPM 12	KDPM 22	
20	[28]	Cable for end limit switch	MH 3 ÷ MH 7	1	KKI					
20	[29]	Cable for load limiter	MH 3 ÷ MH 7	1	KOT					
20	[30]	Cable for push buton	MH 3 ÷ MH 7	1	KKPT 10	KKPT 11	KKPT 20	KKPT 21	KKPT 12	KKPT 22
20	[31]	Cable for trolley I	MH 3 ÷ MH 7	1	-	KKDM 11	-	KKDM 11	KKDM 21	KKDM 21
20	[32]	Cable for trolley II	MH 3 ÷ MH 7	1	-	KKDM 12	-	KKDM 12	KKDM 22	KKDM 22

Note: 1. The cable pos.32 is used only for hoists with two trolleys.



REQUEST

for spare parts for electric hoist, type....., serial number, year of production, operation mode group, supply voltage

№	Spare part	Catalogue number	QTY
1			
2			
3			
4			
5			
6			
7			
8			
9			
10			

Spare parts to be delivered at the following address:

.....
.....

Type of delivery:

Customer:.....