



Electric Crane Scale Brochure



Features

- Strictly in accordance with OIML R76, Chinese GB/T11883-2002 national standards, and European CE directives.
- Aluminum-casting case, high firm hook and ring, dedicated weighting load cell for safety installation
- Cutting-edge technology, quality integrated circuit for high performance and long time stability.
- Popular and applicable in storage, textile, metallurgy industry, and so forth.
- Ultra-red remote controlling design. Easy to operate on the scale or in distance.
- Division switching, measurement unit conversion, automatic power save, automatic battery inspection, idle mode for battery save, preset able tare, etc.

General Description

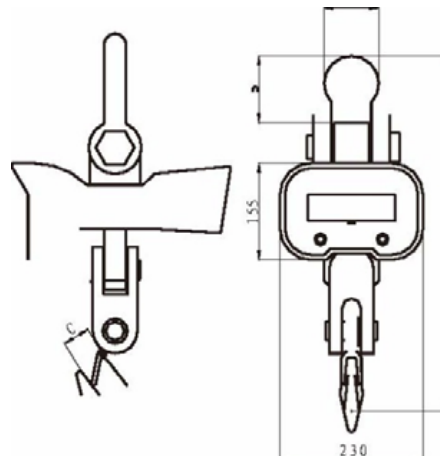
A compact measuring device for weighing loads during lifting. Appropriate tackle can be attached to assist in the lifting and weighing.



ACI Hoist & Crane
689 S.W. 7th Terrace
Dania, FL 33004
+1-954-367-6116
Info@ACIHoist.com

Specifications and Dimensions

Accuracy Class	Chinese GB/T 11883-2002 Class III Equivalent to OIML R76
Tare Range	100% F.S.
Zero Range	4% F.S.
Reading Stable Time	≤10 Seconds
Overload Warning	100% F.S. + 9e
Max. Safety Load	125% F.S.
Ultimate Loa	400% F.S.
Battery Life	80 hours – 200 hours with 6V/10Ah battery 60 hours – 100 hours with 6V/5Ah battery
Scale Battery	6V/10Ah or 6V/5Ah rechargeable battery
Operating Temp.	-10°C - 40°C
Operating Humidity	≤90% at 20°C
Display	1.5 inch (38.1 mm) ultra-luminance LED 1.2 inch (30 mm) ultra-luminance LED



Max. Cap. (Ton)	A (in)	B (in)	C (in)	L (in)	N.W. (in)
1	2.28	3.27	1.18	16.54	0.63
2	2.28	3.27	1.18	16.54	0.63
3	2.87	4.21	1.3	18.9	0.63
5	3.6	5.31	1.77	23.03	0.98
10	3.7	5.71	2.36	30.31	1.85
15	5.04	7.01	2.95	33.86	2.52
20	5.31	9.84	2.95	37.4	2.68

ACI Hoist & Crane

689 S.W. 7th Terrace, Dania, FL 33004
 Phone: (954) 367-6116 Fax: (954) 272-0334
 Email: Info@ACIHoist.com