



## Push-Button Pendant Series 100



### Features

- Compact safety-yellow enclosure.
- Two-piece enclosure simplified field wiring.
- Easy to read legend plates.
- Neoprene Booted buttons.
- NEMA 4x Enclosure rating. Degree of protection IP65.
- Range of -15°C to 40°C (5°F to 104°F) operation temperature.
- UL/CSA Listed.
- Contacts rated 5A at 120 VAC.
- 100 gr. shock resistance.
- Indoor or outdoor use.

### General Description

The ACI push button pendant buttons are available to fit in a wide variety of applications... from the simplest one motion hoist to the three-motion cranes with multiple switches and accessories. They may be purchased as complete assemblies with switches and accessories pre-installed, or you may build your own station by purchasing individual components and assembling them yourself.



689 SW 7<sup>th</sup> Terrace  
Dania, FL 33004  
(954) 367-6116

[WWW.ACIHOIST.COM](http://WWW.ACIHOIST.COM)

# Push-Button Pendant Series 100



**Cable Bushing Cover**  
Designed for bushing collar diameter varying from .30 in to .77 in.

**Cable Bushing**  
Available in sizes varying from .30 in to .77 in.

**Lamp & Horn Switch**  
Knock-out holes in 12 mm (.47 in) and 19 mm (.75 in) dia. are available for a lamp and horn switch on 6 through 12 button enclosures.

**Hanger Ring**  
S Hook is included for strain relief cable connection.

**Bushing Collar**  
Cable diameter sizes vary from .30 in to .77 in.

**Button**  
With Neoprene boot buttons, a seal against dirt moisture is guaranteed. Buttons are available in red, green, and black.

**Enclosure**  
Ergonomic design, visible safety yellow, shock vibration resistant and rugged LEXAN polycarbonate casing.

**Jumpers**  
Included with all preassembled pendants.

**Fasteners**  
To prevent thread stripping, self-captive stainless steel hardware and threaded inserts have been applied to the housing.

**Button Legends**  
Standard button legends are included.

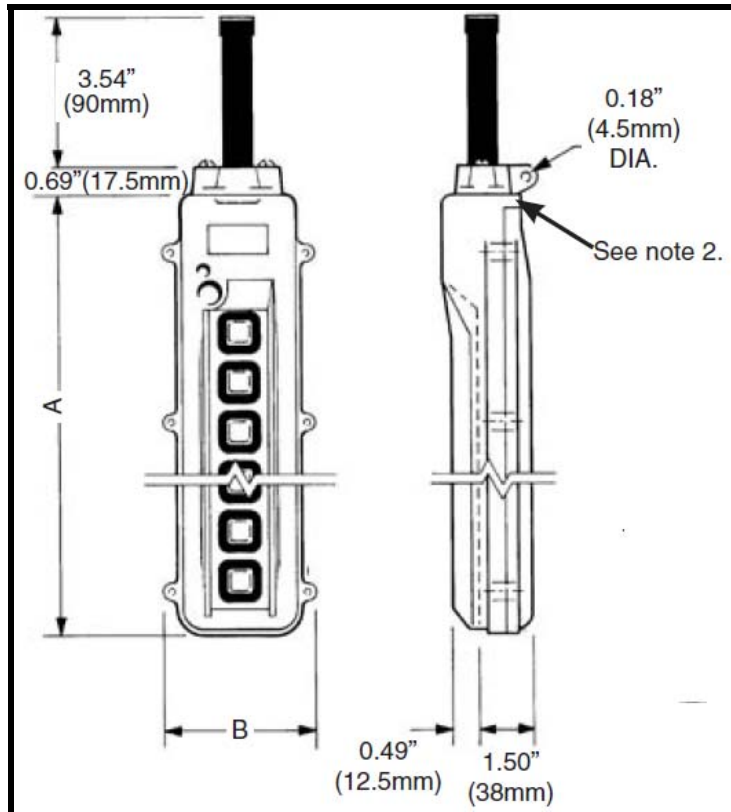
## Model 100 Series Pendant Push Button Stations

Pendants stations are provided fully assembled. For custom pendant stations please contact ACI at [info@acihoist.com](mailto:info@acihoist.com).

Part No.	Description	Bushing
100021	2 Button-all one speed	100COBA2
100022	2 Button-all two speed	100COBA2
100041	4 Button-all one speed	100COBA2
100042	4 Button-all two speed	100COBA2
100041MO	4 Button-2 one speed with momentary On/Off	100COBA2
100041MA	4 Button-2 one speed with maintain On/Off	100COBA2
100042MO	4 Button-2 two speed with momentary On/Off	100COBA2
100042MA	4 Button-2 two speed with maintain On/Off	100COBA2
100061	6 Button-all one speed	100COBA2
100062	6 Button-all two speed	100COBA2
100061MO	6 Button- 4 one speed with momentary On/Off	100COBA2
100061MA	6 Button-4 one speed with maintain On/Off	100COBA2
100062MO	6 Button-4 two speed with momentary On/Off	100COBB1
100062MA	6 Button-4 two speed with maintain On/Off	100COBB1
100081	8 Button-all one speed	100COBB1
100082	8 Button-all two speed	100COBB1
100081MO	8 Button- 6 one speed with momentary On/Off	100COBB1
100081MA	8 Button-6 one speed with maintain On/Off	100COBB1
100082MO	8 Button-6 two speed with momentary On/Off	100COBB1
100082MA	8 Button-6 two speed with maintain On/Off	100COBB1
100083MO	8 Button-6 three speed with momentary on/off	100COBB1
100083MA	8 Button-6 three speed with maintain on/off	100COBB1
100101	10 Button-all one speed	100COBB1
100102	10 Button-all two speed	100COBB1
100101MO	10 Button- 8 one speed with momentary On/Off	100COBB1
100101MA	10 Button-8 one speed with maintain On/Off	100COBB1
100102MO	10 Button-8 two speed with momentary On/Off	100COBB1
100102MA	10 Button-8 two speed with maintain On/Off	100COBB1
100121	12 Button-all one speed	100COBD1
100122	12 Button-all two speed	100COBD1
100121MO	12 Button- 10 one speed with momentary On/Off	100COBD1
100121MA	12 Button-10 one speed with maintain On/Off	100COBD1
100122MO	12 Button-10 two speed with momentary On/Off	100COBD1
100122MA	12 Button-10 two speed with maintain On/Off	100COBD1

# Model 100 Series Pendant Push Button Stations

## Dimensions



No of positions	A		B	
	(in)	(mm)	(in)	(mm)
2	4.49	114	3.07	78
4	7.09	180	3.07	78
6	10.31	262	3.23	82
8	12.68	322	3.23	82
10	15.24	387	3.43	87
12	17.60	447	3.43	87
12-24	See note 1			


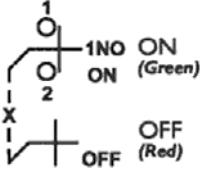
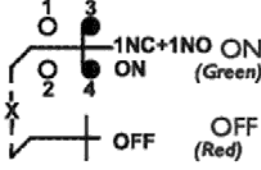

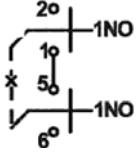
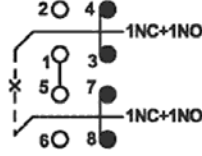

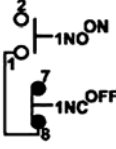
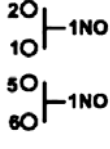
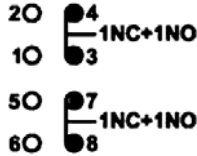

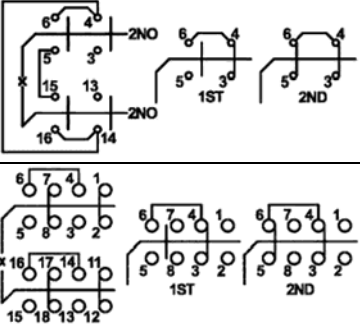
**Note 1:** Please consult the factory for custom design.


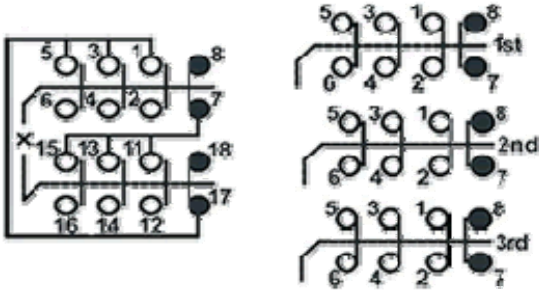

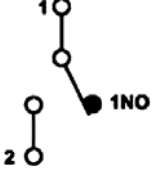
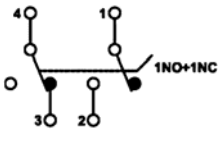
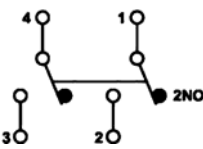

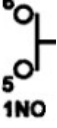

**Note 2:** Bushing collar can be mounted facing front or rear

## Bushings


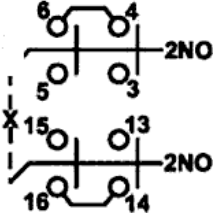
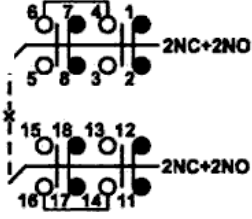



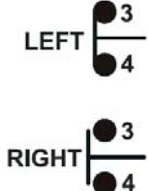


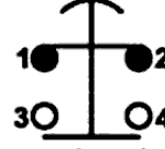

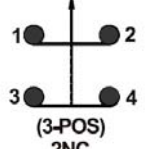

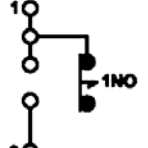
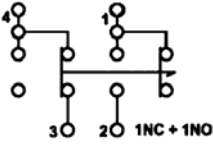
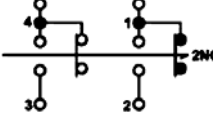
Cable bushing	Cable size	
	Diameter (mm)	Diameter (in)
100COBA1	7.5 – 10.5	.30 - .41
100COBA2	10.3 – 13.5	.41 - .53
100COBB1	13.3 – 16.5	.52 - .65
100COBB2	16.3 – 19.5	.64 - .77
100COBC1	19.3 – 22.5	.76 – 89
100COBC2	22.3 – 25.5	.88 – 1.00
100COBD1	25.3 – 28.5	1.00 – 1.12
100COBD2	28.3 – 29.5	1.11 – 1.16

# Switches





PART NUMBER	APPEARANCE	CONTACT ARRANGEMENT		OPERATION	
100UN80B10 100UN80B11		 <p>100UN80B10</p>	 <p>100UN80B11</p>	Maintained on-off	
100UN80C20 100UN80C22		 <p>100UN80C20</p>	 <p>100UN80C22</p>	Single speed with mechanical interlocking	
100UN80J11 100UN80J20 100UN80J22		 <p>100UN80J11</p>	 <p>100UN80J20</p>	 <p>100UN80J22</p>	Momentary on-off
100UN80D40 100UN80D44 100UN80D48		 <p>100UN80D40</p> <p>100UN80D44</p> <p>100UN80D48 Same as 100UN80D44 with delayed opening in contact 7 and 8, it is also called 'Break-Before-Make' contact arrangement.</p>		2-Speed with mechanical interlocking	

<p>100UN80W62</p>				<p>3-Speed with mechanical interlocking</p>	
<p>100UN80F10 100UN80F11 100UN80F20</p>		 <p>100UN80F10</p>	 <p>100UN80F11</p>	 <p>100UN80F20</p>	<p>Toggle switch</p>
<p>100UN80S10 100UN80S11</p>		 <p>100UN80S10</p>	 <p>100UN80S11</p>	<p>Momentary single speed button</p>	

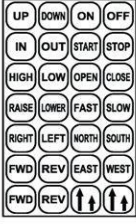
# Switches

PART NUMBER	APPEARANCE	CONTACT ARRANGEMENT		OPERATION	
100UN80T40 100UN80T44		 <p>100UN80T40</p>	 <p>100UN80T44</p>	Momentary mechanical interlocking	
100UN80H		-----		Blind rubber	
100UN80V 1K		-----		Buzzer	
100UN80PJ210		 <p>100UN80PJ210</p>		Key Switch 2 positions	
100UN80MK01 100UN80MK11		 <p>100UN80MK01</p>	 <p>100UN80MK11</p>	Push lock	
100UN80P302		 <p>100UN80P302</p>		Maintained selector switch 2 and 3 positions	
100UN80E10 100UN80E20 100UN80E11		 <p>100UN80E10</p>	 <p>100UN80E20</p>	 <p>100UN80E11</p>	Alternate switch

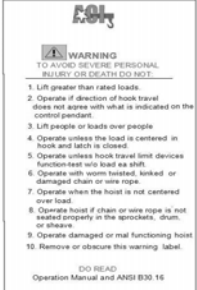
## Switches

PART NUMBER	APPEARANCE	CONTACT ARRANGEMENT	OPERATION
100LNR082B1R 100LER082B24R 100LER082B12R		100LNR082B1R - Lamp (Neon), 12 mm dia, 110 V / AC (Red) 100LER082B24R - Lamp (LED), 12 mm dia, 24 V / DC (Red) 100LER082B12R- Lamp (LED), 12mm dia, 12 V/ DC (Red)	Lamp, 12 mm dia.
100LNR103B1R 100LER103B24R 100LNR103B24R		100LNR103B1R - Lamp (Neon), 19 mm dia, 110 V / AC (Red) 100LER103B24R - Lamp (LED), 19 mm dia, 24 V / DC (Red) 100LNR103B12R- Lamp (Neon), 19 mm dia, 24 V / DC (Red)	Lamp, 19 mm dia.
100UNL		100UNL – Momentary Horn Switch, 19 mm dia.	Horn Switch
100UN80G1R 100UN80GD24R		100UN80G1R - Pilot Light Switch (Neon), 110 V / AC (Red) 100UN80GD24R - Pilot Light Switch (LED), 24 V / DC (Red)	Pilot Light
100GC 100BC 100RC		100GC – Neoprene Green Button Cover 100BC – Neoprene Black Button Cover 100RC – Neoprene Red Button Cover	Button Cover (Rubber)

## Button legends

PART NUMBER	APPEARANCE	DESCRIPTION	OPERATION
100BL		One (1) sheet is included with each assembled pendant	Button legend

## Warning Label

100WL		One (1) label is included with each assembled pendant	Warning label
-------	---	---	---------------