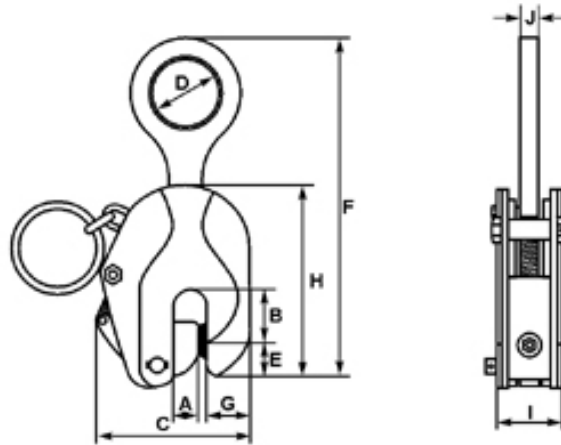
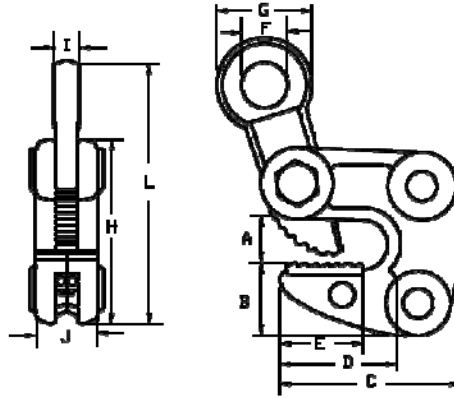


VLC: Vertical Lifting Clamp Specifications & Dimensions



Models		VLC-020	VLC-040	VLC-060	VLC-100
Lifting Capacity (Tons)		1	2	3	5
Jaw Opening (in)		0-0.9	0-1.2	0-1.4	0-2
Dimensions (in)	A	0.9	1.4	1.6	2
	B	1.4	1.8	2	2.3
	C	4.9	6.1	6.9	8.6
	D	2	2.4	2.4	2.6
	E	0.9	1.2	1.4	1.6
	F	8.7-10.2	9.8-11.6	11.7-14.1	13.9-16.5
	G	1.2	1.5	1.6	2.4
	H	6.1	7.5	8.9	10.6
	I	2	2.4	2.7	3
	J	0.6	0.7	0.8	0.9
Net Weight (lb)		7.9	13.2	20.3	36.4

HLC: Horizontal Lifting Clamp Dimension & Specifications



Models		HLC-020	HLC-040
Lifting Capacity (tons)		1	2
Plate Thickness (in)		.1-.7	.1-.9
Dimensions (in)	A	0.9	1.3
	B	1.4	1.8
	C	4	5.1
	D	2.5	3.3
	E	1.7	2.2
	F	2.8	3.6
	G	1.8	2.2
	H	3.9	5.2
	I	0.5	0.6
J	1.3	1.6	
L	6.5	9.3	
Net Weight (lbs)		4.4	10.1