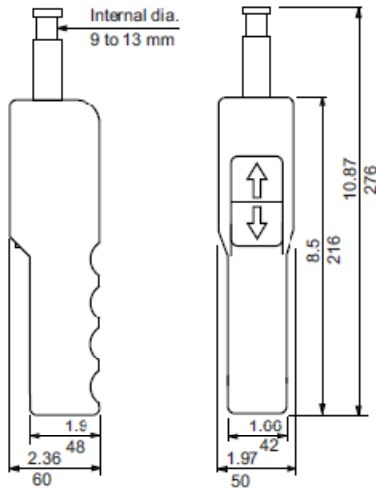


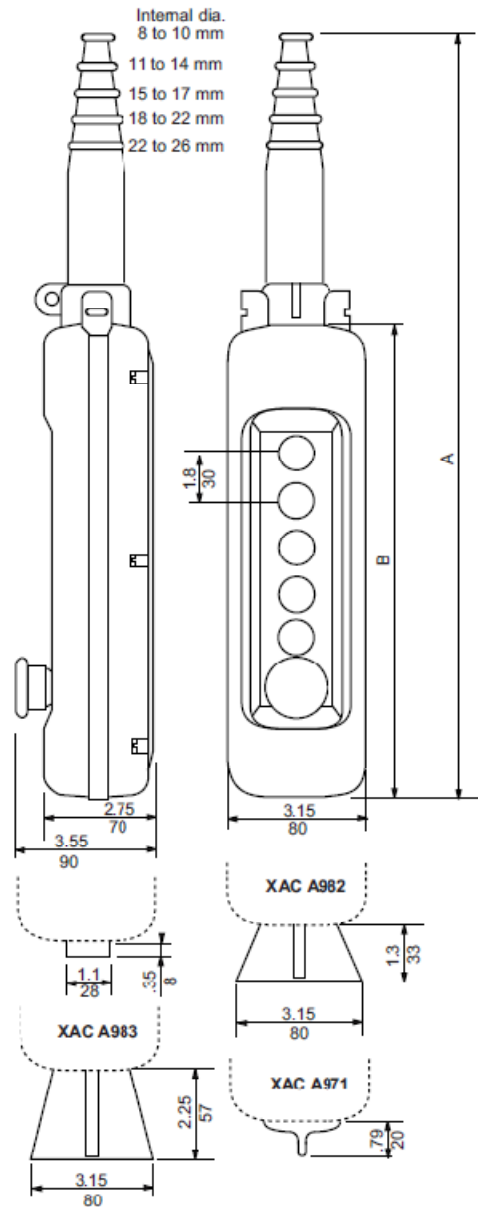


## T-Series Pendant Dimensions & Specifications

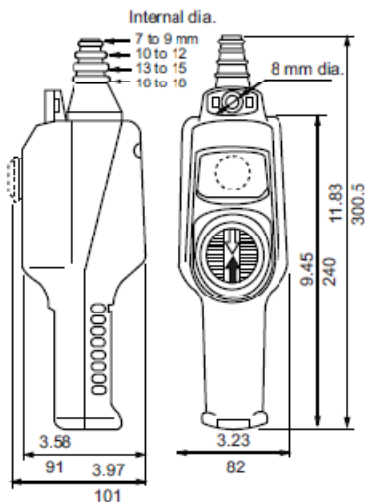
**Small Hoist Type**  
XACA201, A205, and A207



**General Purpose Type**  
XACA....



**Small Hoist**  
XACD



Dimension	Number of Holes (in)					
	2	3	4	6	8	12
A	15	15	17.33	19.7	22.1	26.78
B	7.5	7.5	9.85	12.2	14.57	19.3