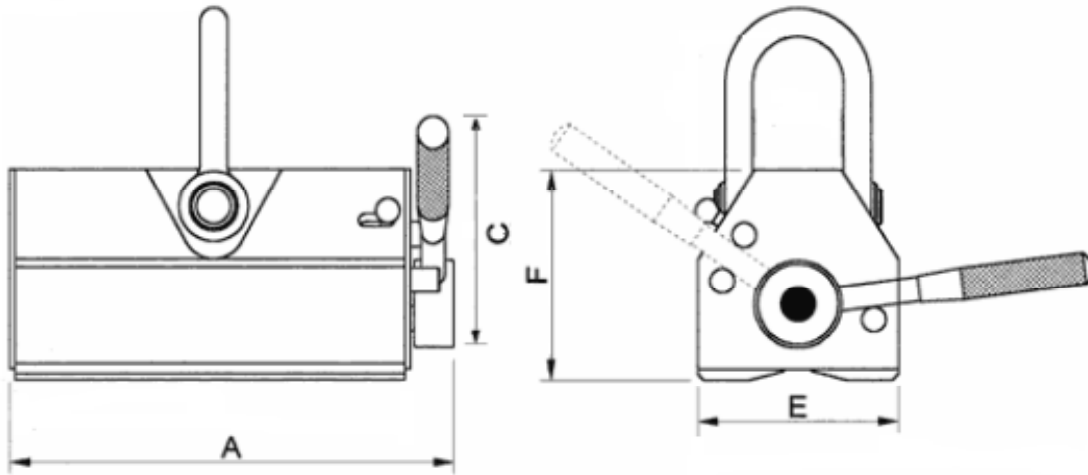


Lifting Magnet Dimensions & Specifications



Model		PML-3	PML-6	PML-10	PML-20
Lifting Capacity (lbs)		660	1320	2200	4400
Max rated load for round steel (lbs)		297	594	990	1980
Max rated load for flat steel (lbs)		660	1320	2200	4400
Max "Breakaway Force" (lbs)		2315	4629	7716	15432
Distance (in)	A	6.4	9.1	10.2	14.9
	C	5.9	7.7	11.2	16.8
	E	3.6	4.8	6.9	9.2
	F	3.5	4.6	6.4	8.3
Net Weight (lbs)		22	53	110	275