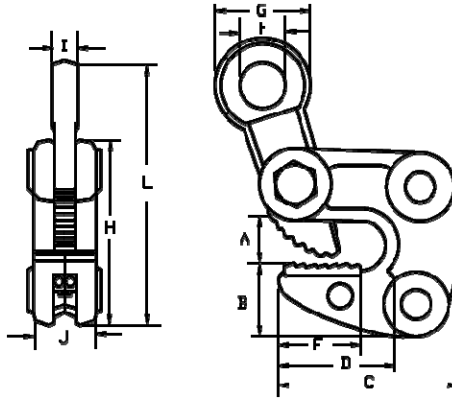


HLC: Horizontal Lifting Clamp Dimension & Specifications



Models		HLC-020	HLC-040
Lifting Capacity (tons)		1	2
Plate Thickness (in)		.1-.7	.1-.9
Dimensions (in)	A	0.9	1.3
	B	1.4	1.8
	C	4	5.1
	D	2.5	3.3
	E	1.7	2.2
	F	2.8	3.6
	G	1.8	2.2
	H	3.9	5.2
	I	0.5	0.6
J	1.3	1.6	
L	6.5	9.3	
Net Weight (lbs)		4.4	10.1