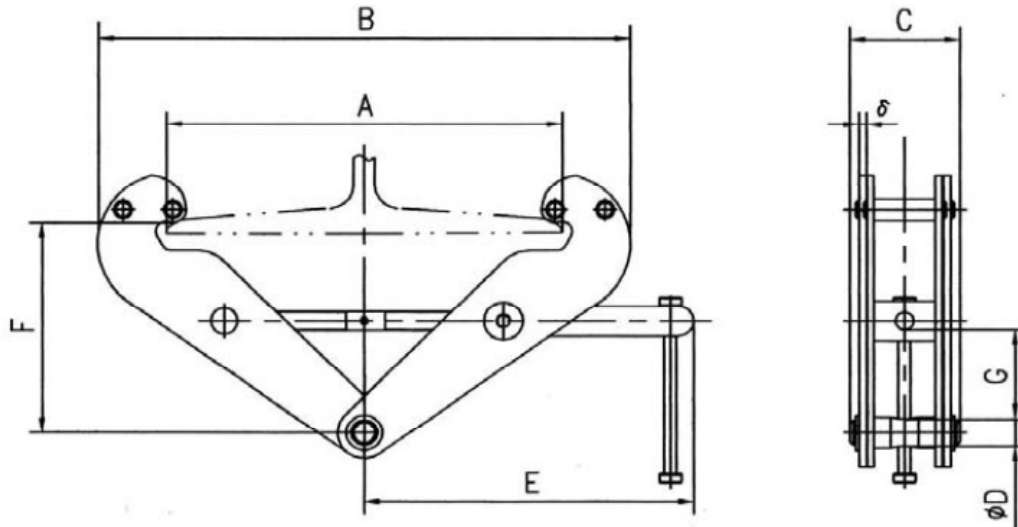
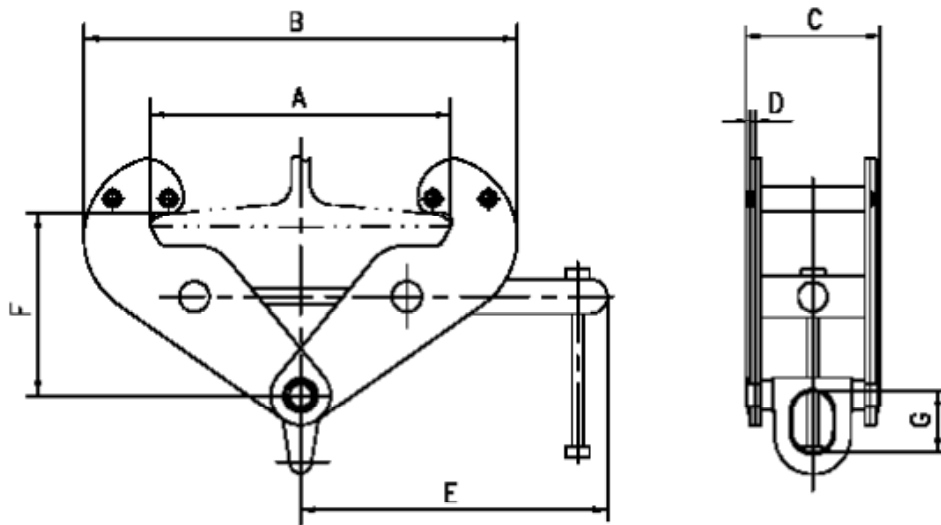


### Beam Clamp Dimensions & Specifications



Model	BC-020	BC-040	BC-060	BC-100	BC-200	
Capacity (Tons)	1	2	3	5	10	
Max Flange Thickness	7/8	7/8	1 ½	1 ½	1 ¾	
Flange width (in)	2.9-8.6	2.9-8.6	3.1-12.6	3.1-12.6	3.5-12.6	
Dimensions (in)	Max. A	10.2	10.2	13.9	13.9	14.4
	Min. B	7.1	7.1	9.3	9.3	12.6
	Max. B	14.17	14.17	19.3	19.3	19.88
	C	2.5	2.9	4	4.3	4.7
	D	0.2	0.23	0.31	0.39	0.47
	E	8.46	8.46	10.2	10.2	11
	Min. F	4	4	5.5	5.5	6.7
	Max. F	6.1	6.1	8.9	8.9	9.25
	Min. G	1	1	1.8	1.8	1.9
H	0.87	0.87	0.94	1.1	1.57	
Net Weight (lb)	9.9	11	23.2	24.3	35.3	

### Beam Clamp with Shackle Dimensions and Specifications



Model		BCS-020	BCS-040	BCS-060	BCS-100	BCS-200
Capacity (Tons)		1	2	3	5	10
Max Flange Thickness		7/8	7/8	1 ½	1 ½	1 ¾
Flange Width (in)		3.0-9.0	3.0-9.0	3.1-12.6	3.5-12.6	3.5-12.6
Dimensions (in)	Max. A	11.18	11.18	14.37	14.37	14.09
	Min. B	7.09	7.09	8.66	8.66	9.84
	Max. B	14.76	14.76	19.6	19.6	20.2
	C	3.64	3.96	5.16	5.97	7.09
	D	0.02	0.24	0.31	0.39	0.47
	E	8.5	8.5	11.63	11.63	11.63
	Min. F	5.35	5.35	7.28	7.28	7.28
	Max. F	6.1	6.1	8.86	8.86	9.37
	Min. G	1.77	1.77	2.28	2.28	3.54
Net Weight (lb)		9.9	12.1	20.9	25.3	41.9