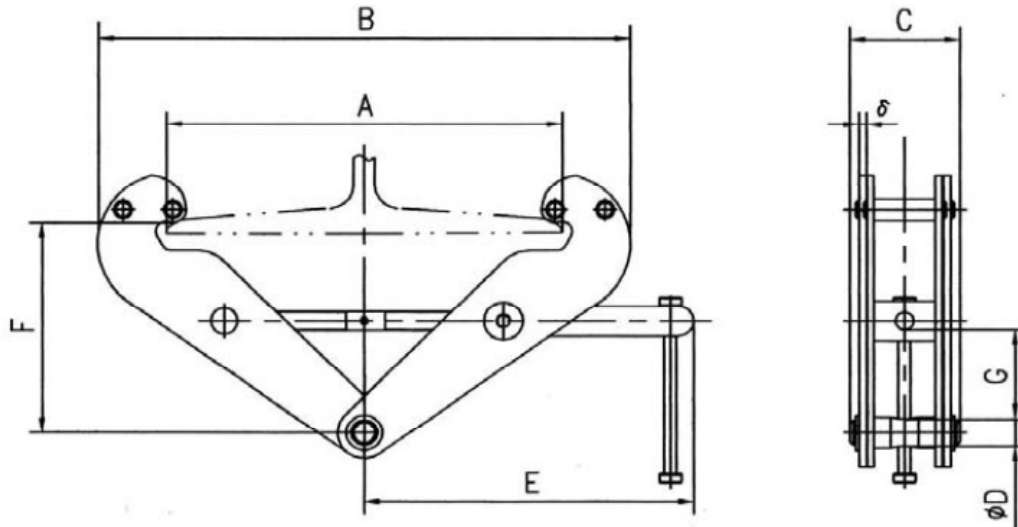


Beam Clamp Dimensions & Specifications



Model	BC-020	BC-040	BC-060	BC-100	BC-200	
Capacity (Tons)	1	2	3	5	10	
Max Flange Thickness	7/8	7/8	1 ½	1 ½	1 ¾	
Flange width (in)	2.9-8.6	2.9-8.6	3.1-12.6	3.1-12.6	3.5-12.6	
Dimensions (in)	Max. A	10.2	10.2	13.9	13.9	14.4
	Min. B	7.1	7.1	9.3	9.3	12.6
	Max. B	14.17	14.17	19.3	19.3	19.88
	C	2.5	2.9	4	4.3	4.7
	D	0.2	0.23	0.31	0.39	0.47
	E	8.46	8.46	10.2	10.2	11
	Min. F	4	4	5.5	5.5	6.7
	Max. F	6.1	6.1	8.9	8.9	9.25
	Min. G	1	1	1.8	1.8	1.9
H	0.87	0.87	0.94	1.1	1.57	
Net Weight (lb)	9.9	11	23.2	24.3	35.3	