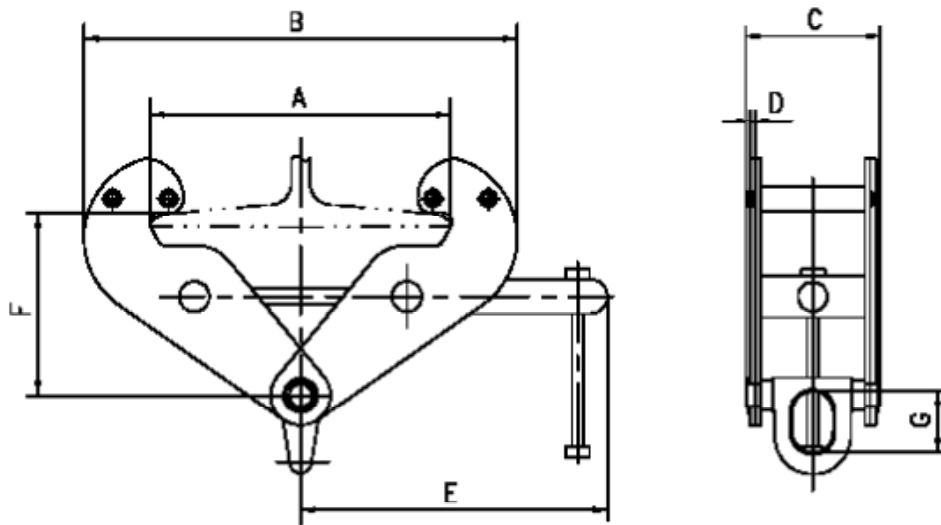


### Beam Clamp with Shackle Dimensions and Specifications



Model		BCS-020	BCS-040	BCS-060	BCS-100	BCS-200
Capacity (Tons)		1	2	3	5	10
Max Flange Thickness		7/8	7/8	1 ½	1 ½	1 ¾
Flange Width (in)		3.0-9.0	3.0-9.0	3.1-12.6	3.5-12.6	3.5-12.6
Dimensions (in)	Max. A	11.18	11.18	14.37	14.37	14.09
	Min. B	7.09	7.09	8.66	8.66	9.84
	Max. B	14.76	14.76	19.6	19.6	20.2
	C	3.64	3.96	5.16	5.97	7.09
	D	0.02	0.24	0.31	0.39	0.47
	E	8.5	8.5	11.63	11.63	11.63
	Min. F	5.35	5.35	7.28	7.28	7.28
	Max. F	6.1	6.1	8.86	8.86	9.37
Min. G	1.77	1.77	2.28	2.28	3.54	
Net Weight (lb)		9.9	12.1	20.9	25.3	41.9