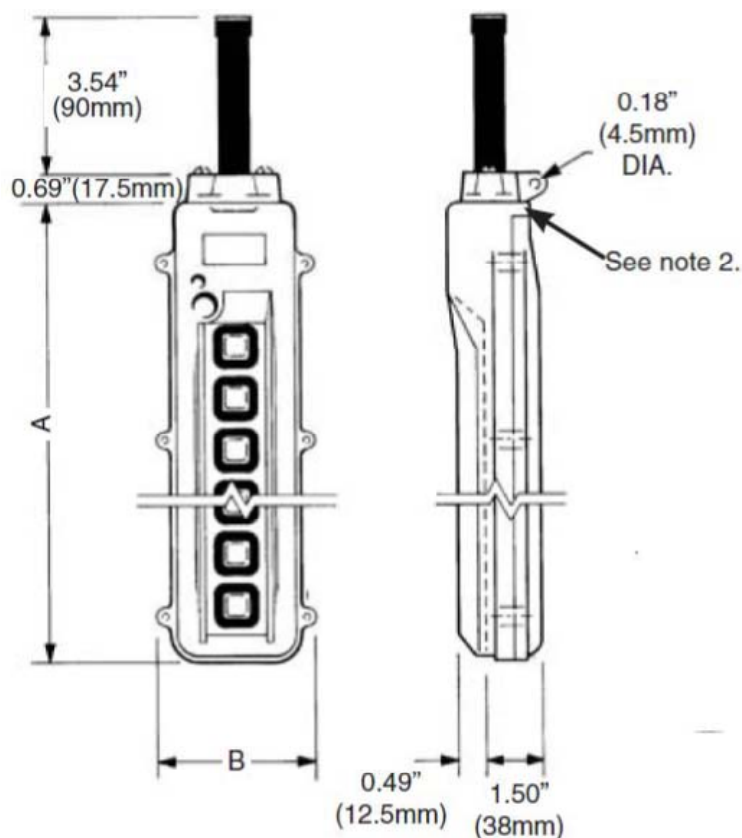


## 100 Series Pendant Specifications & Dimensions



No. of positions	A		B	
	(in)	(mm)	(in)	(mm)
2	4.49	114	3.07	78
4	7.09	180	3.07	78
6	10.31	262	3.23	82
8	12.68	322	3.23	82
10	15.24	387	3.43	87
12	17.6	447	3.43	87
12-24	See Note 1			

**\*Note 1:** Please consult the factory for custom design

**\*Note 2:** Bushing collar can be mounted facing front or rear

### Bushings

Cable Bushing	Cable Size	
	Diameter (mm)	Diameter (in)
100COBA1	7.5 – 10.5	.30 - .41
100COBA2	10.3 – 13.5	.41 - .53
100COBB1	13.3 – 16.5	.52 - .65
100COBB2	16.3 – 19.5	.64 - .77
100COBC1	19.3 – 22.5	.76 - .89
100COBC2	22.3 – 25.5	.88 – 1.00
100COBD1	25.3 – 28.5	1.00 – 1.12
100COBD2	28.3 – 29.5	1.11 – 1.16