



Plate Clamps Model VLC & HLC

Vertical Lifting Clamp



Horizontal Lifting Clamp



Features

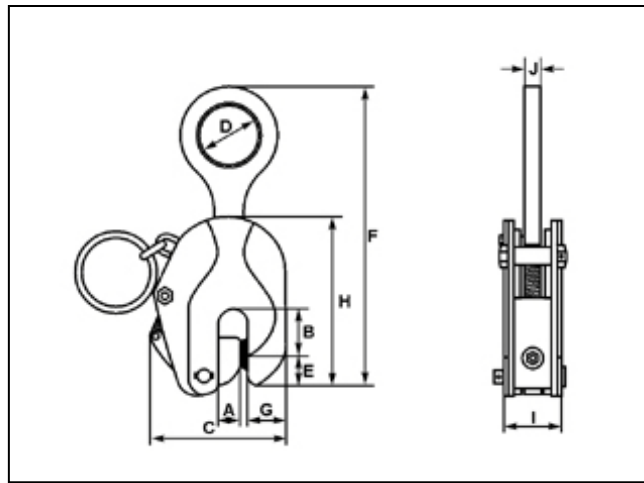
- VLC Capacity range from 1 to 5 ton.
- HLC Capacity range from 1 to 2 ton.
- Designed for vertical plate lifting.
- Easy to install with minimum headroom.
- Robust all steel construction with safety operation.
- Compact size with light weight
- The locking mechanism provides an additional safety for the operator.
- Easy to replace wear parts.
- Minimum maintenance

Clamp Construction

The clamps are designed for lifting plate. Before installing, make sure that the load doesn't exceed the rated capacity of the clamp. Clamp should always be stored indoor. Never leave them exposed to the elements.

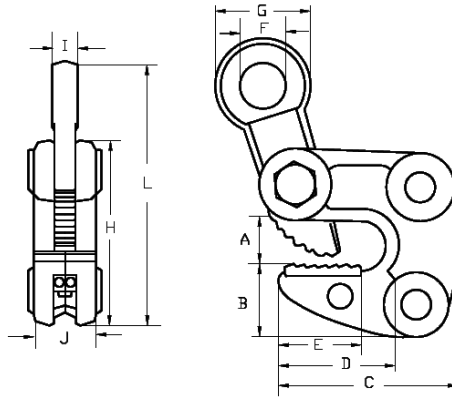


757 S.E. 17th St.
Ft Lauderdale, FL 33316
(954) 367-6116
www.acihoist.com



VERTICAL PLATE CLAMP SPECIFICATIONS

Models	VLC-020	VLC-040	VLC-060	VLC-100
Lifting capacity(tons)	1	2	3	5
Jaw opening (in)	0 - 0.9	0 - 1.2	0 - 1.4	0 - 2
Dimensions (in)	A	0.9	1.4	1.6
	B	1.4	1.8	2
	C	4.9	6.1	6.9
	D	2	2.4	2.4
	E	0.9	1.2	1.4
	F	8.7 - 10.2	9.8 - 11.6	11.7 - 14.1
	G	1.2	1.5	1.6
	H	6.1	7.5	8.9
	I	2	2.4	2.7
J	0.6	0.7	0.8	
Net weight (lb)	7.9	13.2	20.3	36.4



HORIZONTAL PLATE CLAMP SPECIFICATIONS

Models		HLC-020	HLC-040
Lifting Capacity (tons)		1	2
Plate Thickness (in)		.1-.7	.1-.9
Dimensions (in)	A	0.9	1.3
	B	1.4	1.8
	C	4	5.1
	D	2.5	3.3
	E	1.7	2.2
	F	2.8	3.6
	G	1.8	2.2
	H	3.9	5.2
	I	0.5	0.6
	J	1.3	1.6
L	6.5	9.3	
Net Weight (lbs)		4.4	10.1