



## Lever Hoist Model LH



### Features

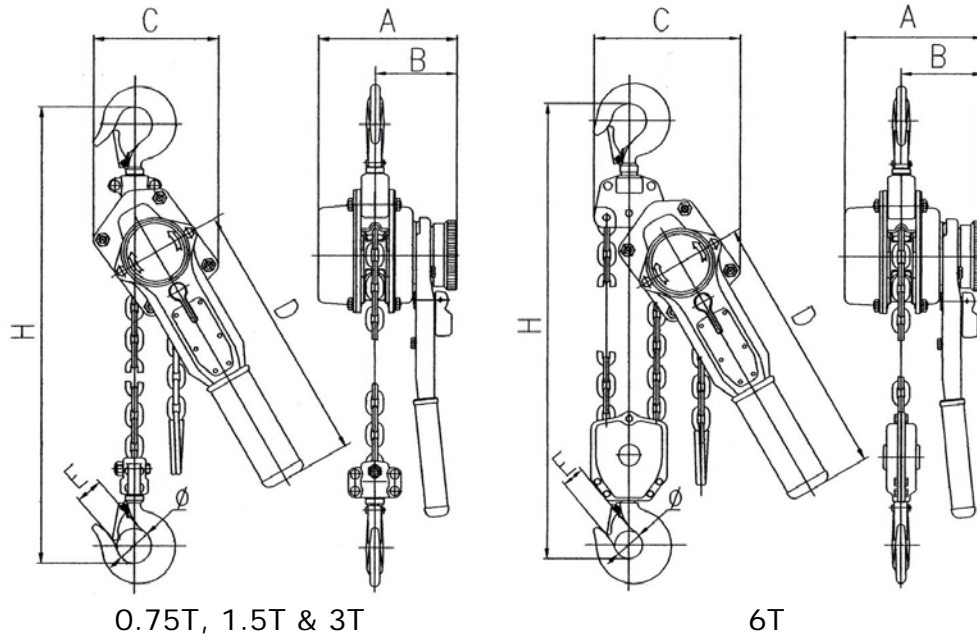
- Capacity range from 0.75 to 6 ton
- LH hoist is a universal manual hoist for lifting, tensioning and lashing in any direction.
- Lightweight, small mounting sizes and small lever force at full load.
- Hand lever operates with little effort due to optimal gear ratio.
- The hoist is fitted with high grade alloy chain.
- Drop forged steel suspension & load hooks are heat treated and fracture resistant.
- Top and bottom hooks are fitted with safety latches as standard.

### Hoist Construction

The steel body Lever Hoist/Puller is a dependable way to accurately position, load and lift heavy, freely suspended loads within the hoist's rated load. The reversing lever and free-chain wheel provide ease of control, even with work gloves. The hoist can be used in confined spaces due to the short handle and low handle chair.



**757 Southeast 17<sup>th</sup>  
Street  
Fort Lauderdale, FL  
33316  
(954) 367-6116  
WWW.ACIHOIST.COM**



### LEVER HOIST SPECIFICATIONS

Model		LH-015	LH-030	LH-060	LH-120
Capacity (tons)		3/4	1 1/2	3	6
No. of columns of load chain		1	1	1	2
Load chain diameter (in)		0.24	0.31	0.40	0.40
Handle pull rated loads (lbs)		60	66	75	83
Distance (in)	A	5.83	6.81	7.87	7.87
	B	3.43	3.90	4.41	4.41
	C	5.20	5.71	7.83	9.06
	D	10.94	14.88	15.28	15.28
	E	1.1	1.3	1.6	1.7
	Ø	1.40	1.67	1.97	2.09
	H	13.0	15.7	20.5	25.2
Net weight (lbs.) for 5 ft lift		15.21	24.0	45.6	62.0
Packing measurement (in)		15 x 5 x 6.7	18.9 x 5.1 x 7.9	21.8 x 7.3 x 8.9	21.8 x 7.9 x 8.9
Extra weight per feet of extra lift (lbs.)		0.53	0.94	1.48	2.96